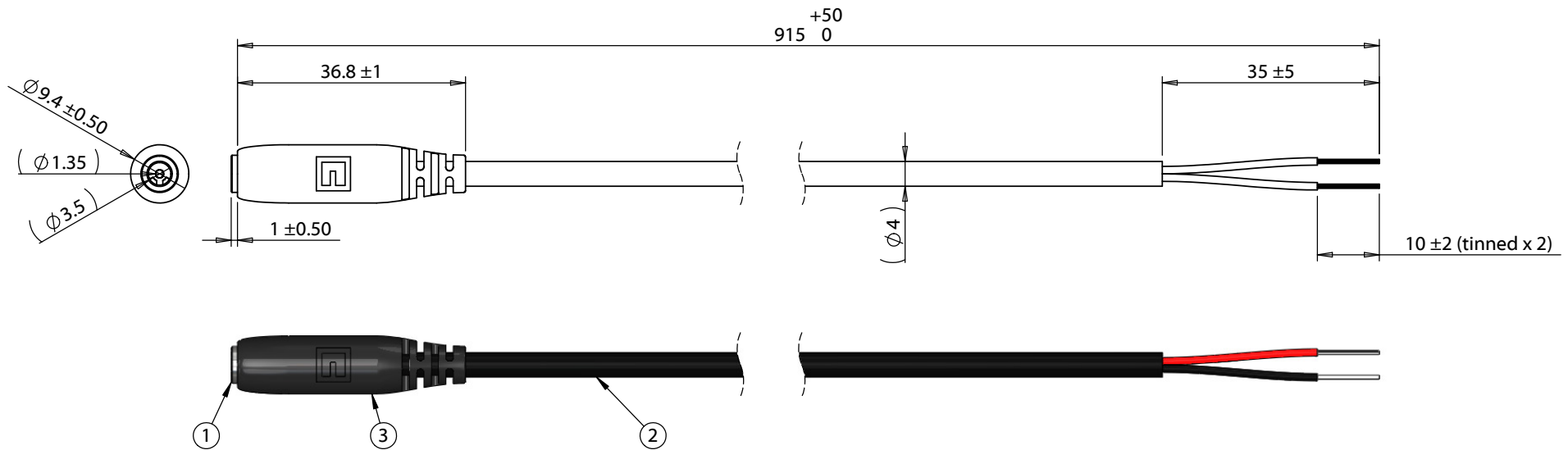


ITEM NO.	PART NUMBER	DESCRIPTION	QTY.	COMPONENT NOTES
1	50-00057	Connector, dc jack, 3.5x1.35xL16.5 mm, molding style	1	
2	30-00692	Wire, 2C TS, 24 AWG, UL2464, 300V, 80C, 4.0 mm, VW-1, PVC	1	
3	24-00184	Overmold, dc jack, 3.5 mm, Tensility	1	black, PVC



Notes:
Functionally equivalent components may be substituted

Wiring Diagram	
50-00057	wire color
center	red
sleeve	black

Revision:	Date:	Description:	Prepared:	Notes: RoHS compliant	<h1>TENSILITY</h1> <p>tel 1.541.323.3228 800 877.670.7118 fax 1.541.323.4202 web tensility.com</p>
A	9/13/2016	Initial release	Verified:		
A1	2/15/2019	corrected overmold dimension	Dimensions are in millimeters. Tolerances: X: ± 0.5 mm X.X: ± 0.3 mm X.XX: ± 0.05 mm	Description:	Size:
				Cable, 915 mm, 3.5x1.35 mm 50-00057 dc jack to stripped tinned, 24 AWG, 30-00692 wire	A
					Scale: 1:1
					Sheet 1 of 1

5

4

3

2

1