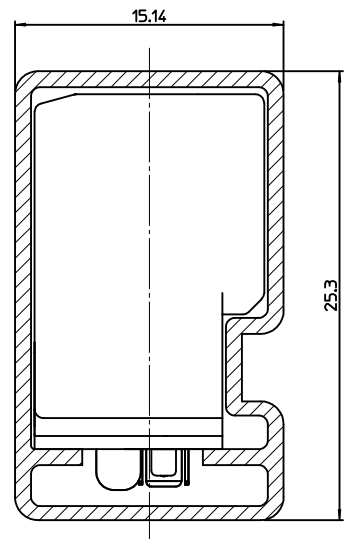
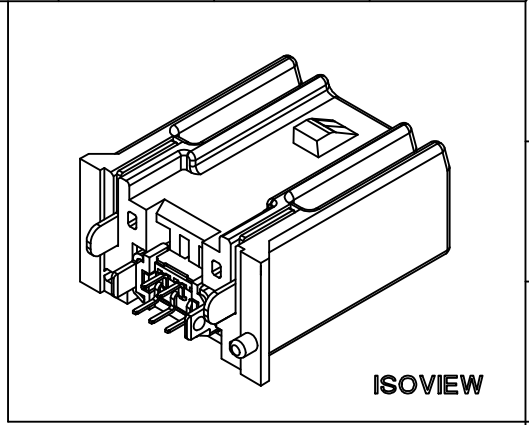
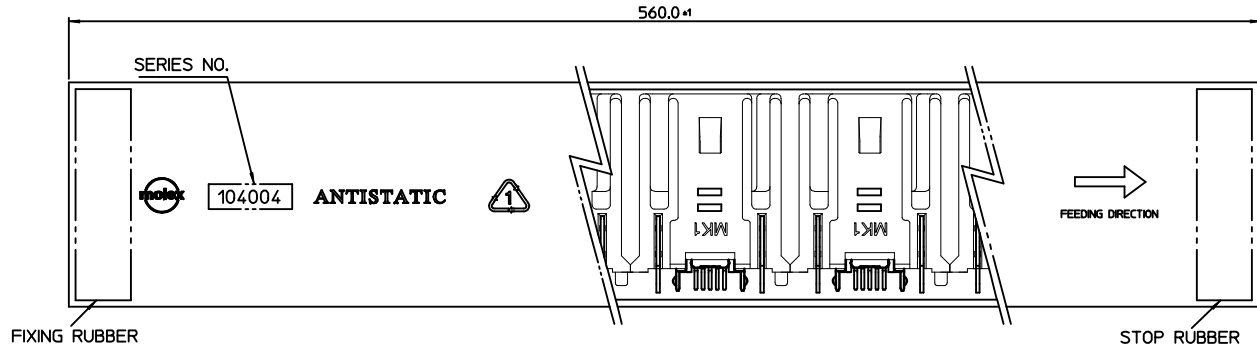


13 12 11 10 9 8 7 6 5 4 3 2 1



- NOTE
- MATERIAL : PETG(POLYETHYLENE TEREPHTHALATE GLYCOL), DIP COATING ANTISTATIC (ESD 100 VOLTS MAX. AT 1 INCH DISTANCE)
 - THICKNESS : 0.9mm ± 0.1
 - PACKING QUANTITY : 29 PCS / 1 TUBE

<TABLE 1>

MATERIAL NO.	ORDER NO.
1040049000	104004-9000

CHANGED NOTE #2 EC NO: KTR2013-0036 DRWN: HIMOON 2013/05/03 CHKD: JYCHOI APPR: JYCHOI 2013/05/16 REV B	QUALITY SYMBOLS ▽=0 ▽=0	GENERAL TOLERANCES (UNLESS SPECIFIED) <table border="1"> <tr> <th></th> <th>mm</th> <th>INCH</th> </tr> <tr> <td>4 PLACES</td> <td>± 0.1</td> <td>± 0.004</td> </tr> <tr> <td>3 PLACES</td> <td>± 0.2</td> <td>± 0.008</td> </tr> <tr> <td>2 PLACES</td> <td>± 0.3</td> <td>± 0.012</td> </tr> <tr> <td>1 PLACE</td> <td>± 0.5</td> <td>± 0.020</td> </tr> </table>		mm	INCH	4 PLACES	± 0.1	± 0.004	3 PLACES	± 0.2	± 0.008	2 PLACES	± 0.3	± 0.012	1 PLACE	± 0.5	± 0.020	DIMENSION STYLE MM ONLY	SCALE 5:1	DESIGN UNITS METRIC	THIRD ANGLE PROJECTION
		mm	INCH																		
	4 PLACES	± 0.1	± 0.004																		
	3 PLACES	± 0.2	± 0.008																		
2 PLACES	± 0.3	± 0.012																			
1 PLACE	± 0.5	± 0.020																			
DRAFT WHERE APPLICABLE MUST REMAIN WITHIN DIMENSIONS	DRAWN BY DATE BCYOON 2010/05/27	TITLE USCAR USB MINI B CONN. VERTICAL TYPE TUBE PACKING																			
MATERIAL NO. SEE TABLE1	CHECKED BY DATE BCYOON 2010/05/27	MOLEX INCORPORATED																			
SHEET NO. 1 OF 1	APPROVED BY DATE EHJUNG 2010/05/27	DOCUMENT NO. SD-104004-100																			

12 11 10 9 8 7 6 5 4 3 2 1