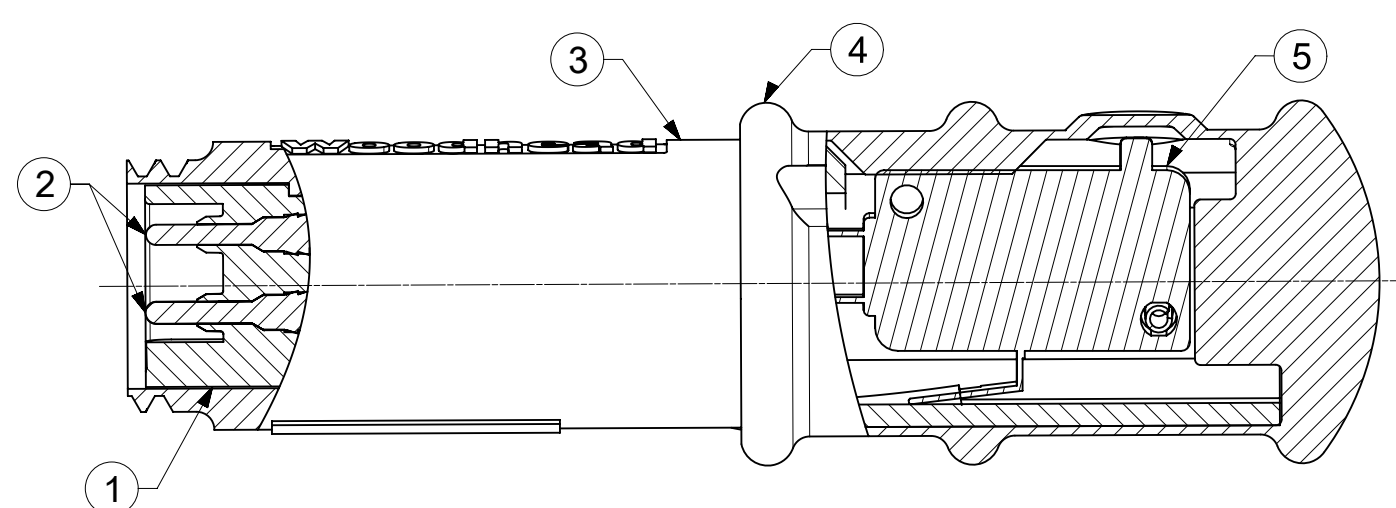
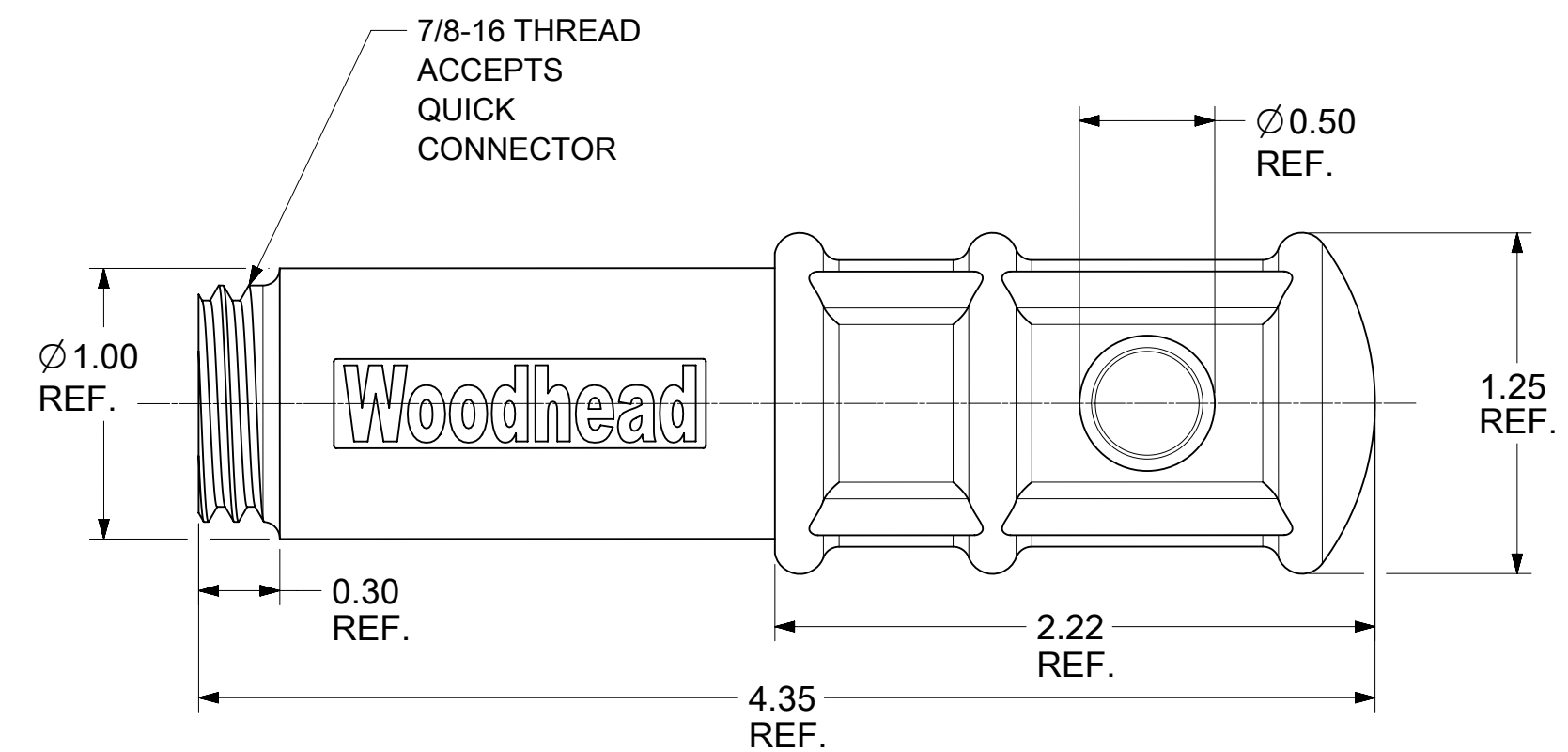
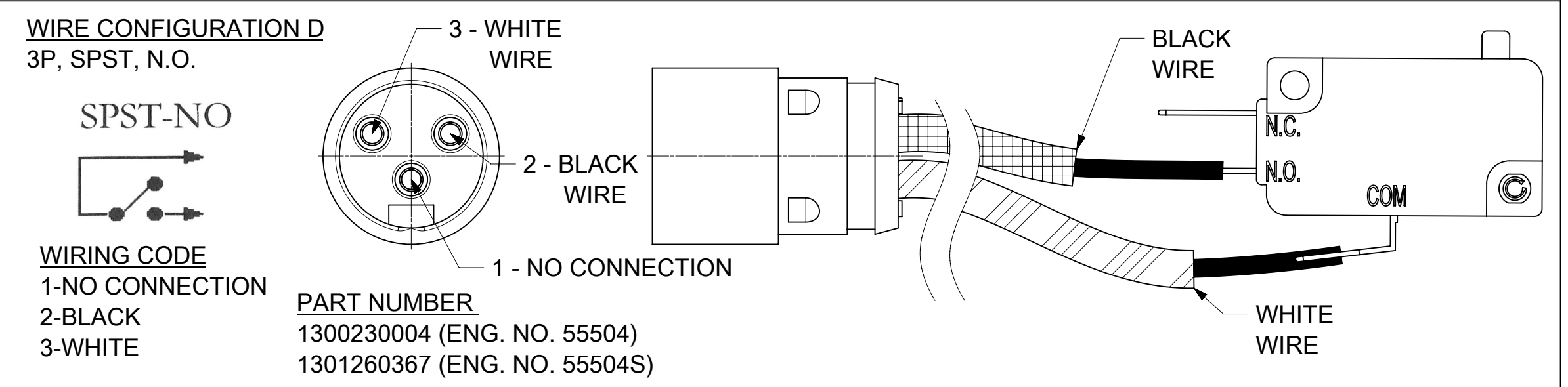
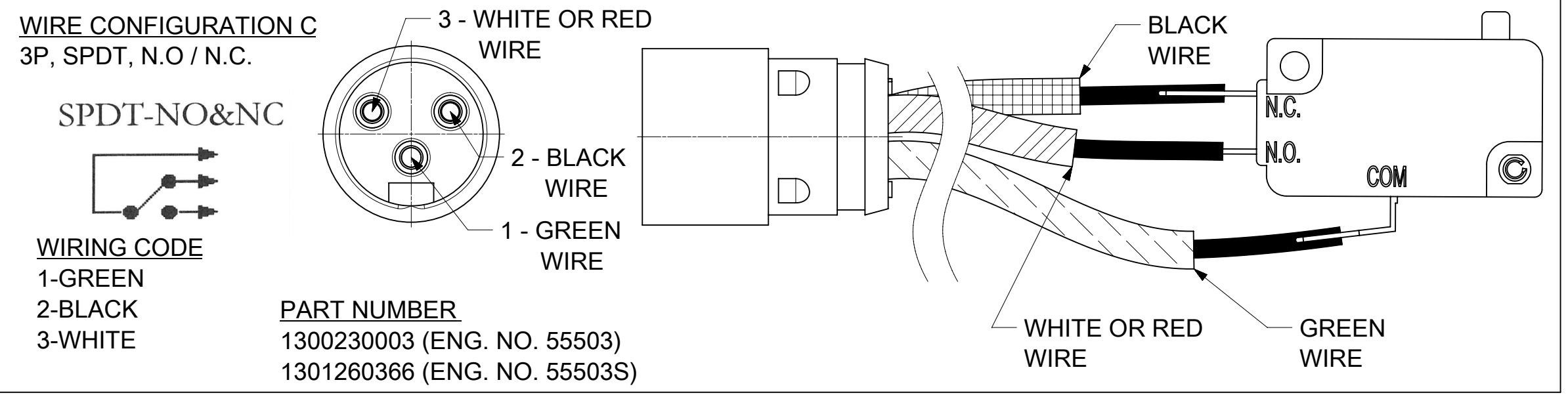
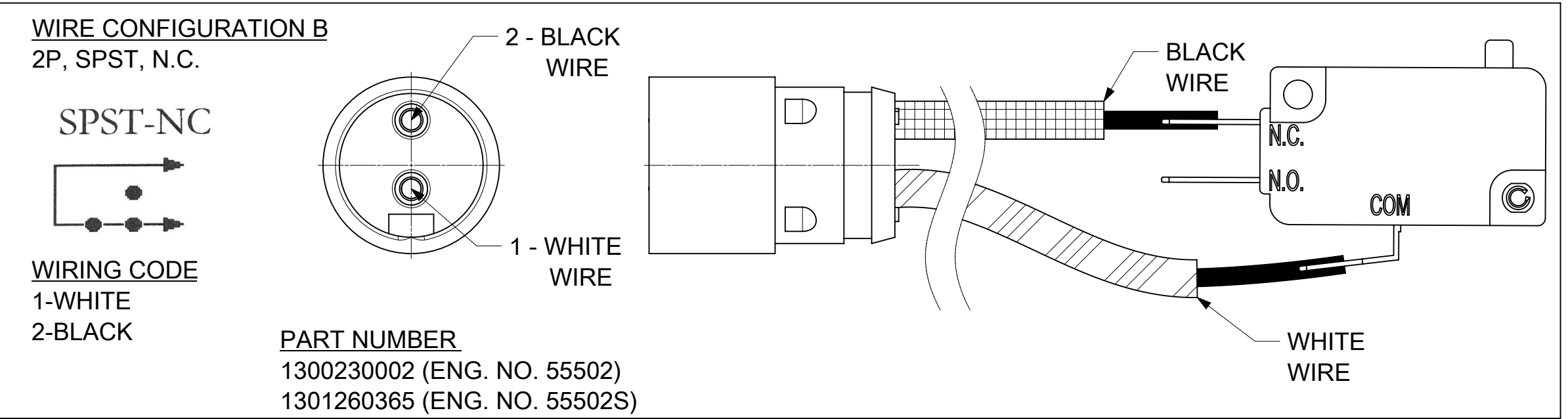
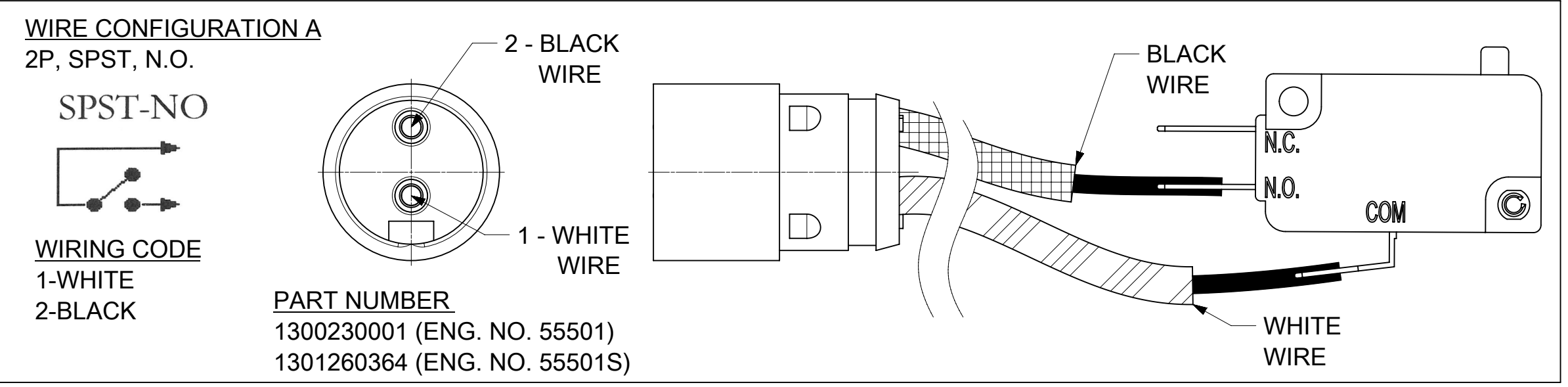


| PART NUMBER | ENG. NUMBER | DESCRIPTION                                | SWITCH BOOT MATERIAL | WIRE CONFIGURATION |
|-------------|-------------|--|----------------------|--------------------|
| 1300230001  | 55501       | 2P, SPST - NORMALLY OPEN                   | NBR/PVC              | A                  |
| 1300230002  | 55502       | 2P, SPST - NORMALLY CLOSED                 |                      | B                  |
| 1300230003  | 55503       | 3P, SPDT - NORMALLY OPEN / NORMALLY CLOSED |                      | C                  |
| 1300230004  | 55504       | 3P, SPST - NORMALLY OPEN                   | SILICONE             | D                  |
| 1301260364  | 55501S      | 2P, SPST - NORMALLY OPEN                   |                      | A                  |
| 1301260365  | 55502S      | 2P, SPST - NORMALLY CLOSED                 |                      | B                  |
| 1301260366  | 55503S      | 3P, SPDT - NORMALLY OPEN / NORMALLY CLOSED |                      | C                  |
| 1301260367  | 55504S      | 3P, SPST - NORMALLY OPEN                   | D                    |                    |



| ITEM | DESCRIPTION | MATERIAL           | FINISH      |
|------|-------------|--------------------|-------------|
| 1    | PIN INSERT  | PVC                | YELLOW      |
| 2    | CONTACT PIN | COPPER ALLOY       | GOLD PLATED |
| 3    | SWITCH BODY | NYLON              | YELLOW      |
| 4    | SWITCH BOOT | RUBBER (SEE TABLE) | YELLOW      |
| 5    | SWITCH      | -                  | -           |

- NOTES:**
- MATERIAL: SEE TABLE
  - FINISHES: SEE TABLE
  - ELECTRICAL SPECIFICATIONS  
VOLTAGE RATING: 125/250VAC  
CURRENT RATING: 10 AMPS (AC)  
HORSEPOWER RATING: 1/2 HP
  - OPERATING TEMP. RANGE: -20 °C to 85 °C
  - ASSEMBLY IS RoHS COMPLIANT



|  |   |   |  |                         |
|--|---|---|--|-------------------------|
| FUNCTIONAL SYMBOLS<br>FA = 0<br>FE = 0<br>FP = 0     | THIS DRAWING CONTAINS INFORMATION THAT IS PROPRIETARY TO MOLEX ELECTRONIC TECHNOLOGIES, LLC AND SHOULD NOT BE USED WITHOUT WRITTEN PERMISSION |   | CURRENT REV DESC: ADD SWITCH SCHEMATIC AND WIRING CODE |                         |
|  | DIMENSION UNITS<br><b>INCH</b>  | SCALE<br><b>2:1</b>                     | EC NO: 723619  |                         |
| DIVISIONAL SYMBOLS                                   | GENERAL TOLERANCES (UNLESS SPECIFIED)   |   | DRWN: WLEUNG 2022/10/04                                |                         |
|  | ANGULAR TOL ± 0.5°  | 4 PLACES ±                              | CHK'D: DNGUYEN62 2022/10/04                            |                         |
|  | 2 PLACES ± 0.05   | 2 PLACES ±                              | APPR: DNGUYEN62 2022/10/04                             |                         |
|  | 1 PLACE ± 0.1   | 1 PLACE ±                               | INITIAL REVISION:                                      |                         |
| DRAFT WHERE APPLICABLE MUST REMAIN WITHIN DIMENSIONS |   | THIRD ANGLE PROJECTION                  | DRAWING<br><b>C-SIZE</b>                               | SERIES<br><b>130023</b> |
| DOCUMENT STATUS<br>P1                                | RELEASE DATE<br>2022/10/04 21:40:15   | DOCUMENT NUMBER<br><b>SD-130023-005</b> |  | DOC TYPE<br>PSD         |
|  |   | CUSTOMER<br>GENERAL MARKET              |  | DOC PART<br>001         |
|  |   | SHEET NUMBER<br>1 OF 1                  |  | REVISION<br><b>C</b>    |