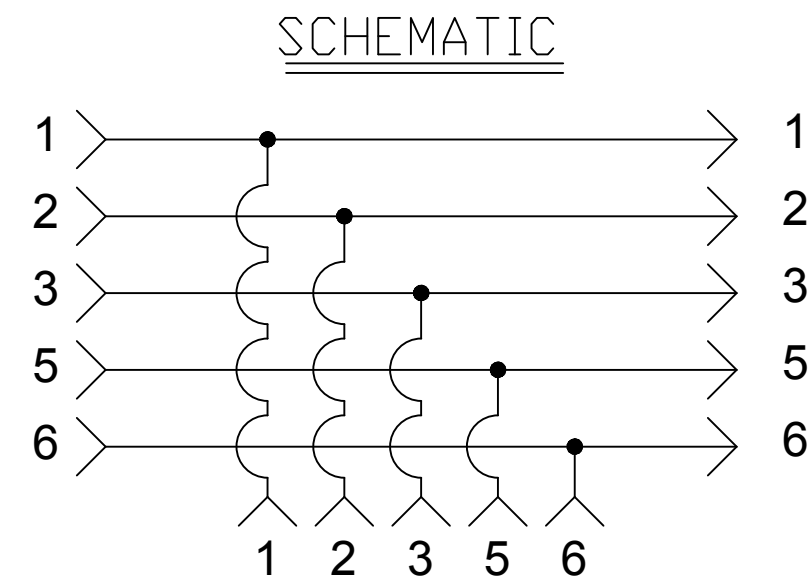
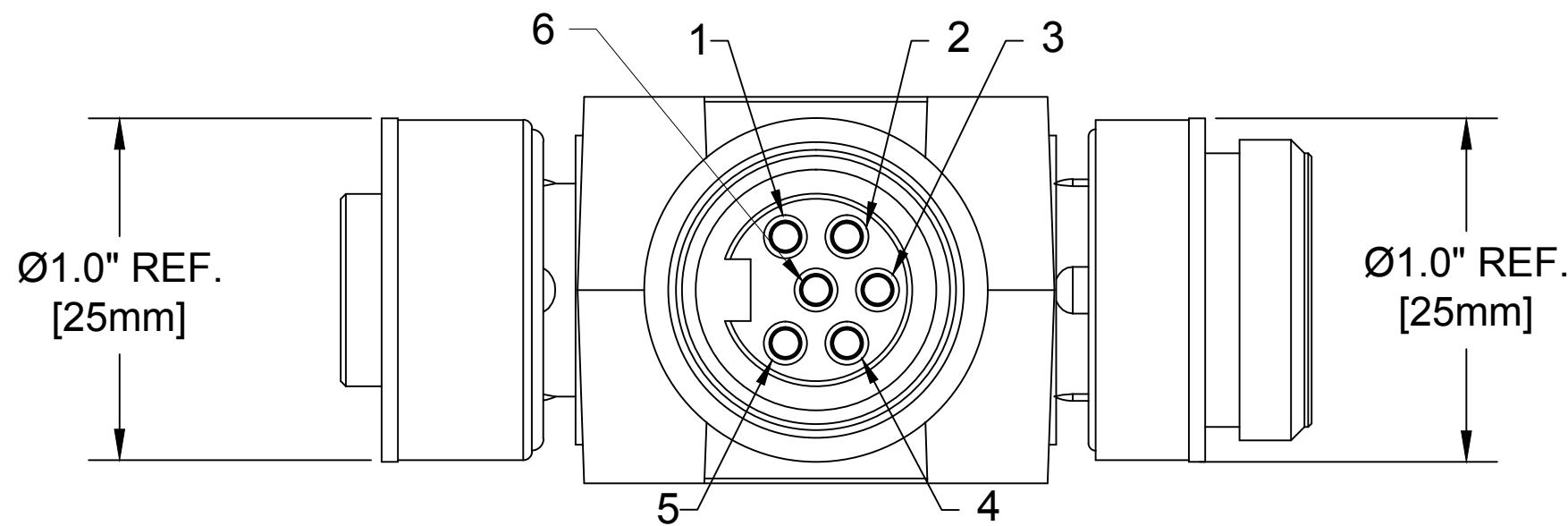
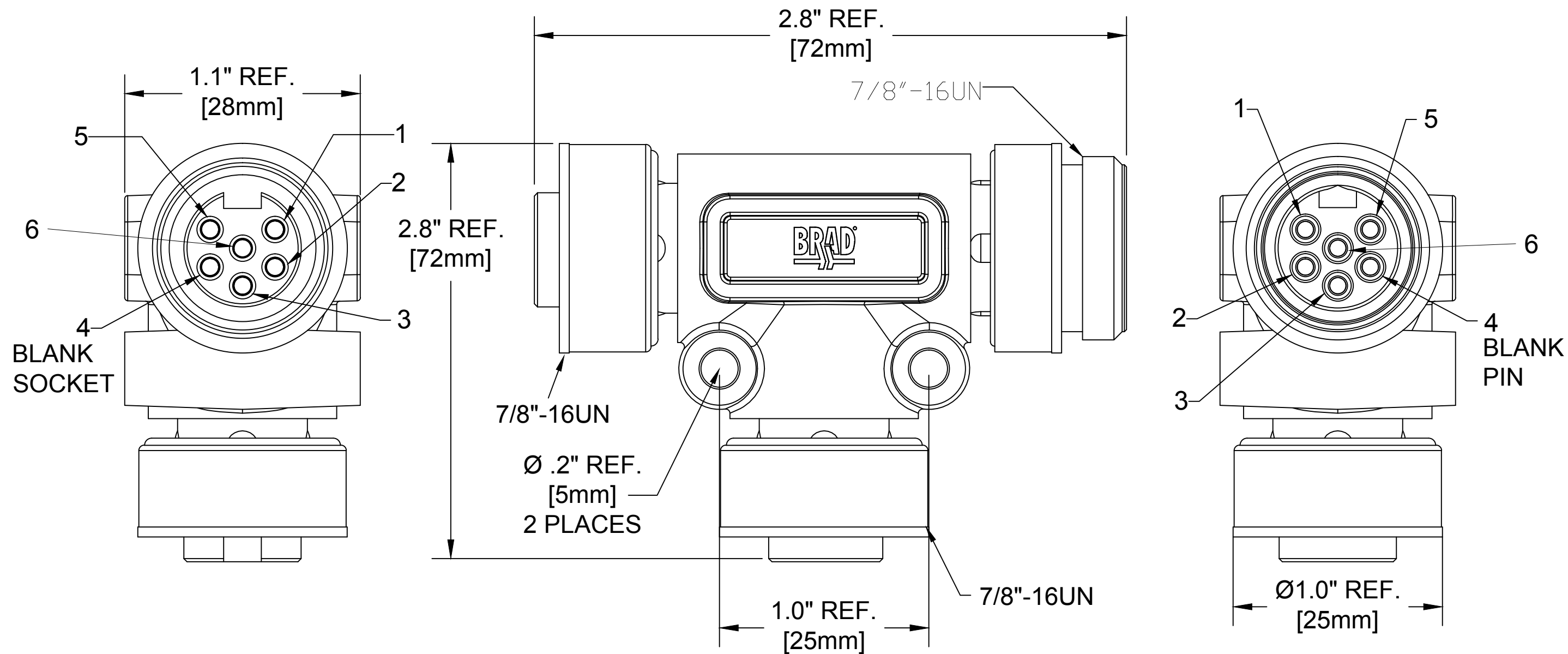


MATERIAL NUMBER

130035-0031

OLD PART NUMBER

61451-ESDUT



VOLTAGE RATING	600 VAC/VDC
AMPERAGE RATING	8 AMPS
PROTECTION	IP67
OPERATING TEMPERATURE	-20°C TO 80°C

COMPONENT	MATERIAL	FINISH
INSERT	PVC	YELLOW
CONTACT SOCKET	COPPER ALLOY	GOLD OVER NICKEL
CONTACT PIN	COPPER ALLOY	GOLD OVER NICKEL
COUPLING NUT	ZINC DIE CAST	BLACK E-COATED
OVERMOLD	RITFLEX	BLACK

RELEASE EC NO: IFC2014-0871 DRWN: BWOODMAN2010/05/19 CH'KD: BARDEN APPR: BWOODMAN2013/11/20	QUALITY SYMBOL	GENERAL TOLERANCES (UNLESS SPECIFIED)	DIMENSION STYLE	SCALE	DESIGN UNITS	THIRD ANGLE PROJECTION
	▽=0 ∇=0	mm INCH 4 PLACES ±--- ±--- 3 PLACES ±--- ±.005 2 PLACES ±0.13 ±.010 1 PLACE ±0.25 ±.020	IN/MM	NTS	INCH	
		ANGULAR ±1/2°	DRAWN BY DATE	TITLE		
		DRAFT WHERE APPLICABLE MUST REMAIN WITHIN DIMENSIONS	BWOODMAN 2010/05/19	MINI-CHANGE 6-POLE TEE ESTOP-OUT TEE WITH PIN 4 BLANK		
		CHECKED BY DATE	MOLEX INCORPORATED			
		BARDEN 2013/11/21	SD-130035-011			
		APPROVED BY DATE	SHEET NO.			
		BWOODMAN 2013/11/20	1 OF 1			
		MATERIAL NO.	THIS DRAWING CONTAINS INFORMATION THAT IS PROPRIETARY TO MOLEX INCORPORATED AND SHOULD NOT BE USED WITHOUT WRITTEN PERMISSION			
		SEE CHART				
		SIZE C				