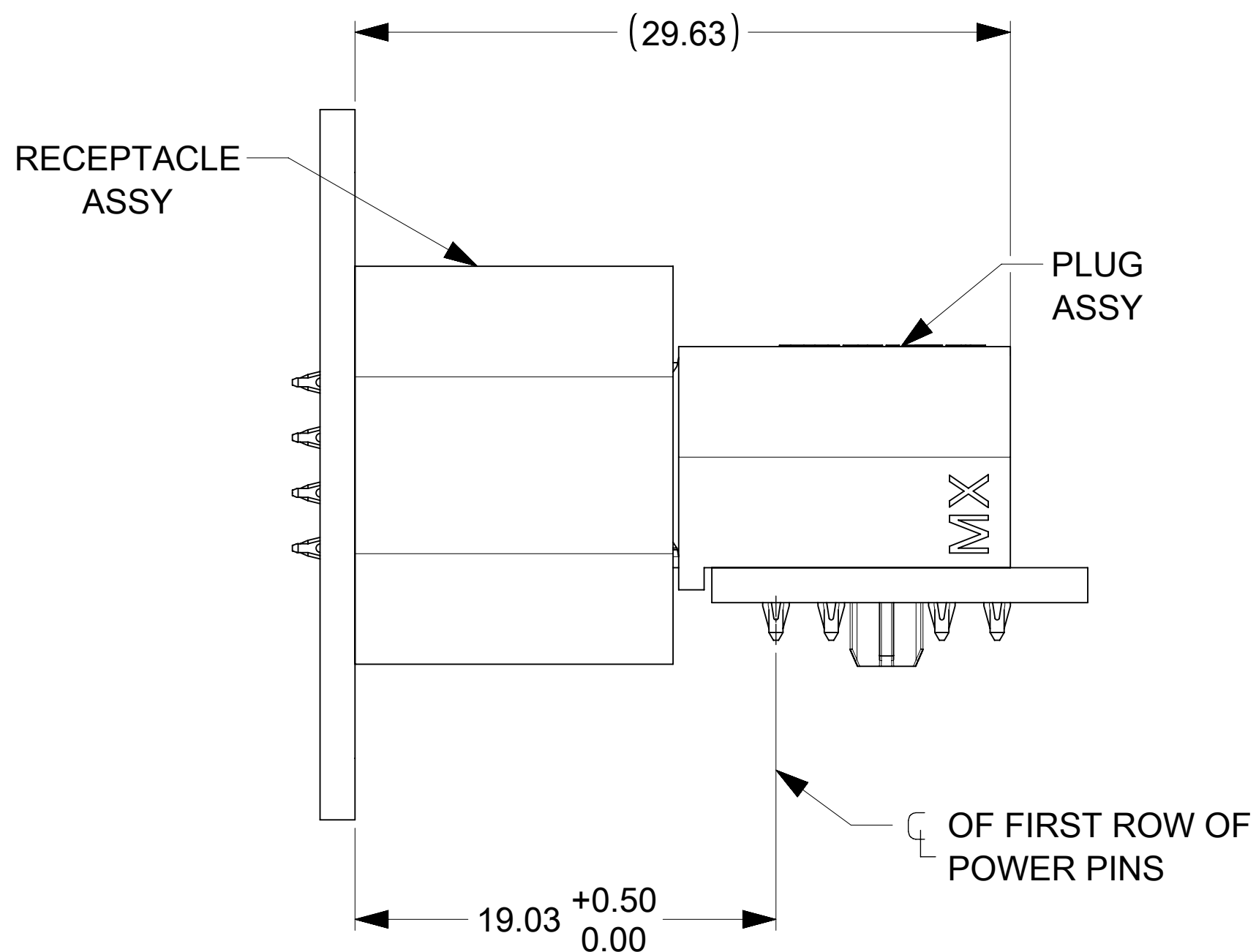
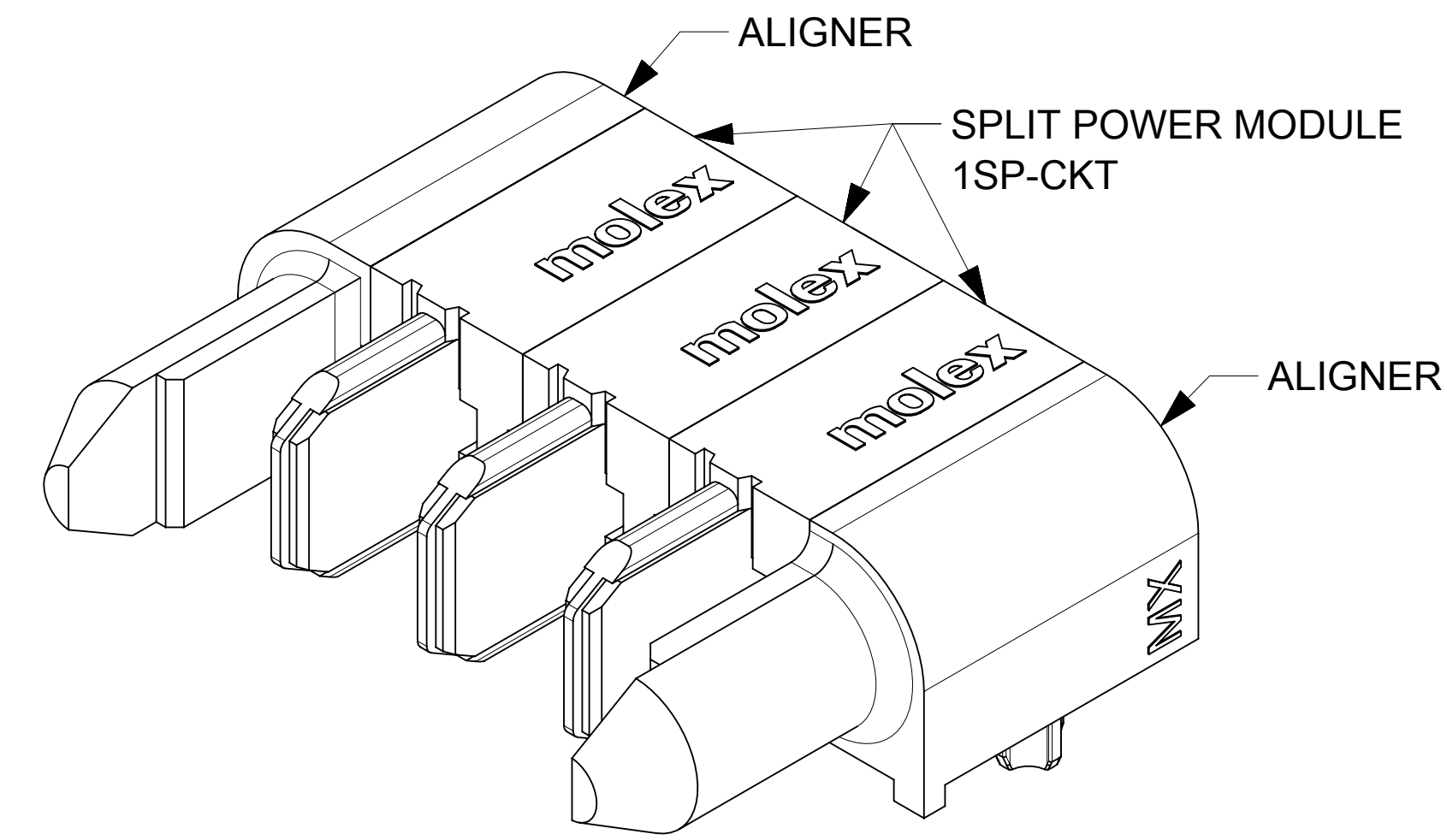


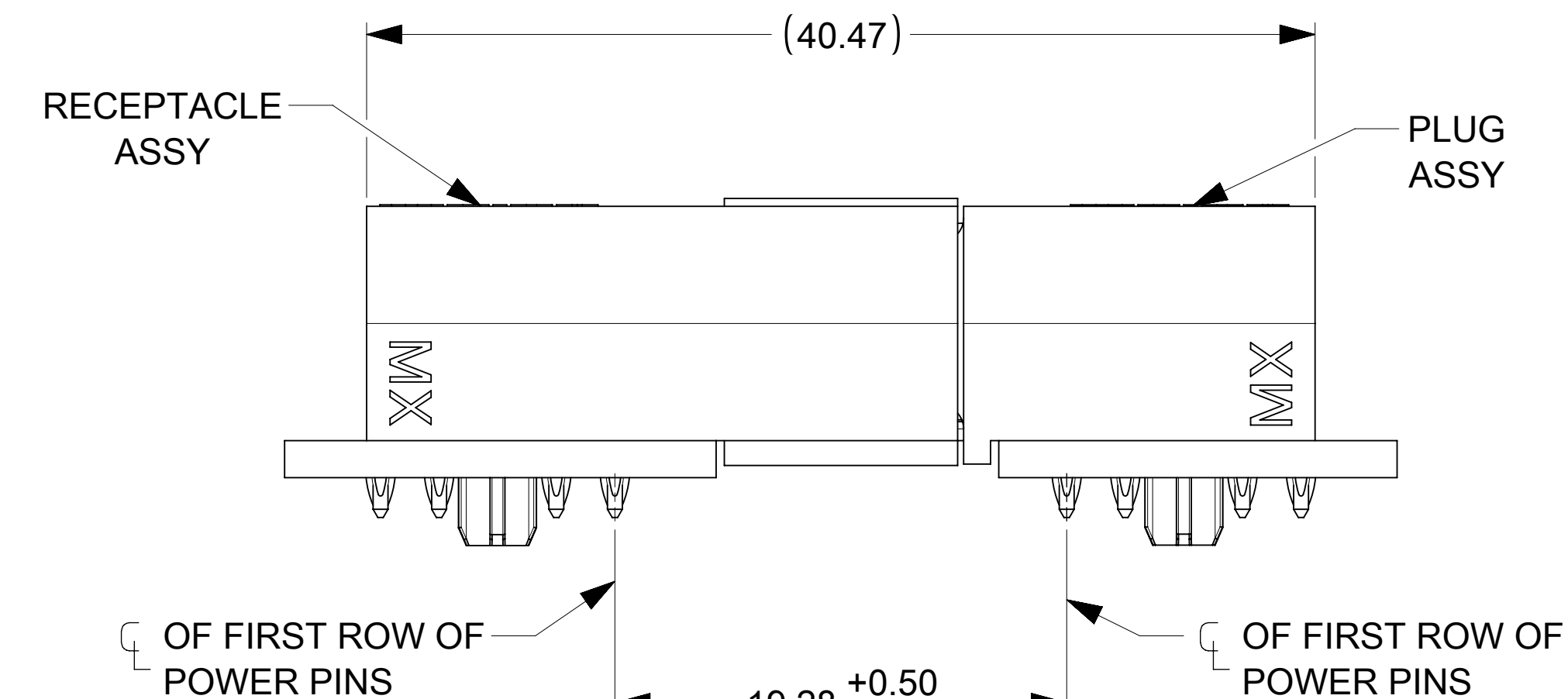
SECTION A-A



MATED PROFILE
(MATED WITH VERT RECEPTACLE ASSY)



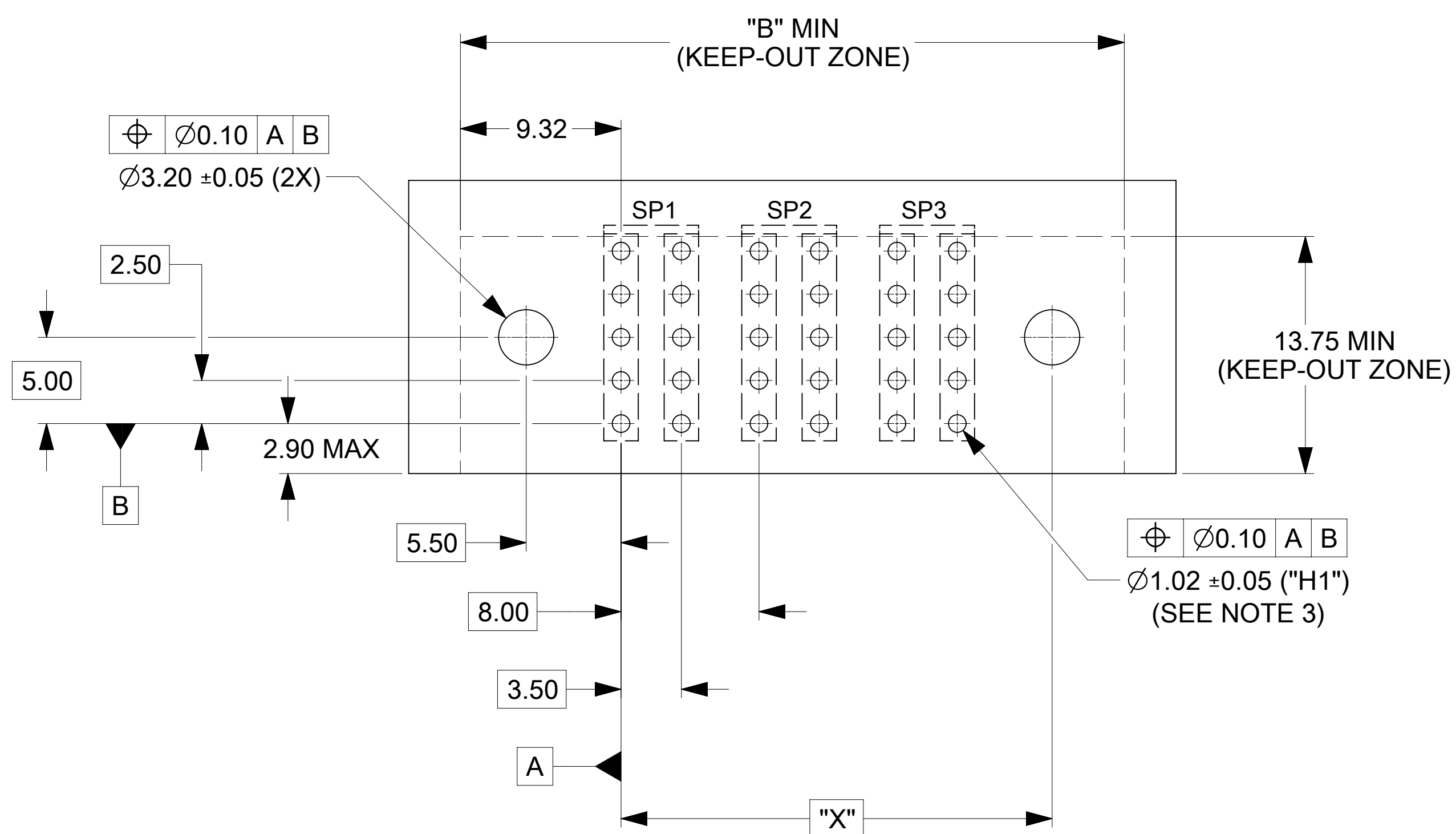
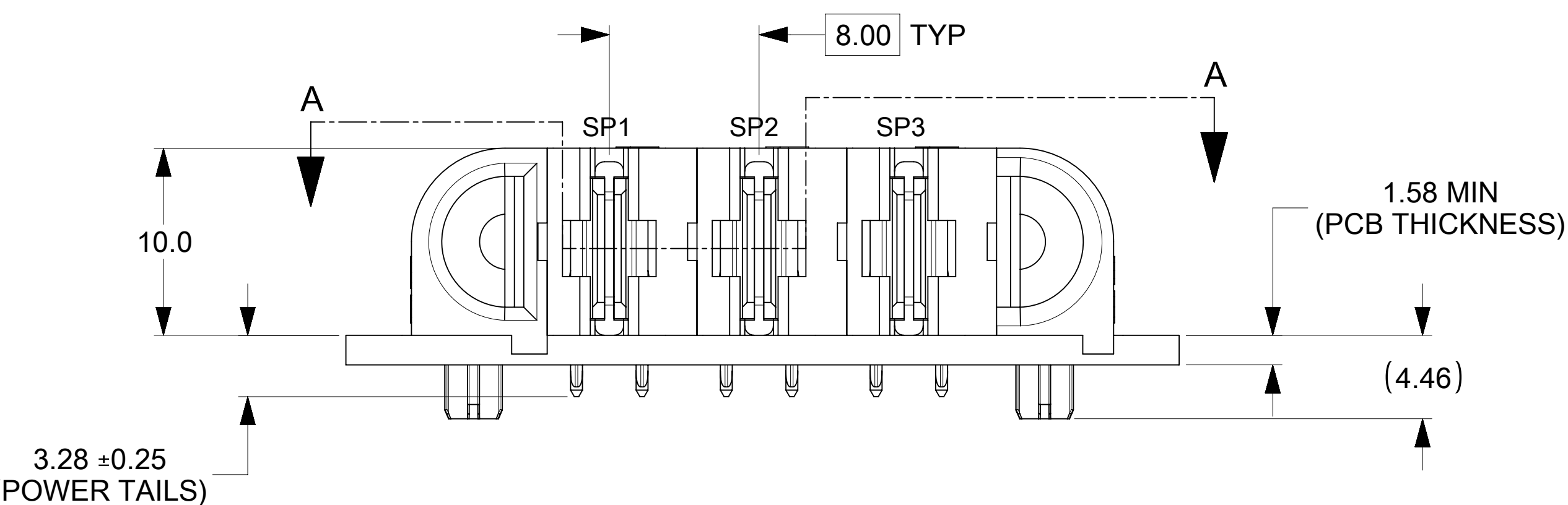
P/N: 171088-8403 (G-3SP-G)



MATED PROFILE
(MATED WITH R/A RECEPTACLE ASSY)

NOTES:

- MATERIAL:
 - HOUSINGS: LCP UL94, V-0, COLOR : BLACK
 - TERMINALS: HIGH CONDUCTIVITY COPPER ALLOY
 - PLATING: 1.27 MICROMETER (50 MICROINCH) NICKEL OVERALL WITH 2.54 MICROMETER (100 MICROINCH) SELECTIVE TIN ON TAILS AND 0.762 MICROMETER (30 MICROINCH) SELECTIVE GOLD ON CONTACT AREA
- PACKAGING: ASSEMBLIES TO BE TRAY PACKED PER PACKAGING SPEC: 1710881001-PK
- PLATED THRU HOLE SIZE, REFER TO PS-171088-0000 FOR DETAILS
- PRODUCT SPEC: PS-171088-0000
- PRODUCT TO MEET RoHS REQUIREMENTS
- ASSEMBLY MATES TO MOLEX RECEPTACLE ASSEMBLY P/N 171089-**** AND 171090-**** (SEE TABLE IN SHEET 2)
- TAIL DESIGN: COMPLIANT PIN
- POWER CONTACTS ARE LUBRICATED.
- APPLICATION SPEC: AS-46436-100
- MOLEX LOGO TO BE LOCATED APPROXIMATELY AS SHOWN.

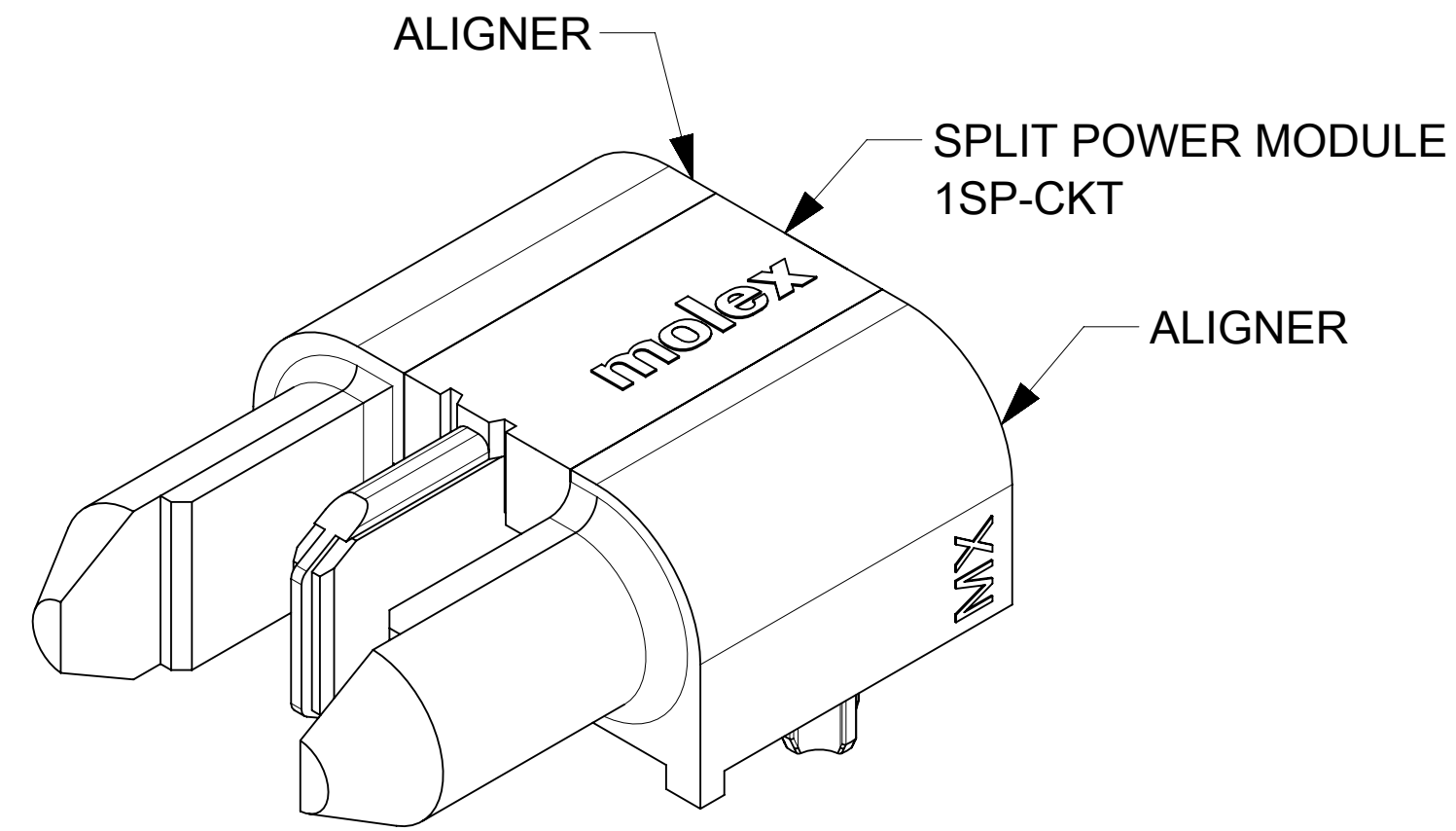


RECOMMENDED PCB LAYOUT AND KEEP-OUT ZONE FOR G-(1SP TO 3SP)-G

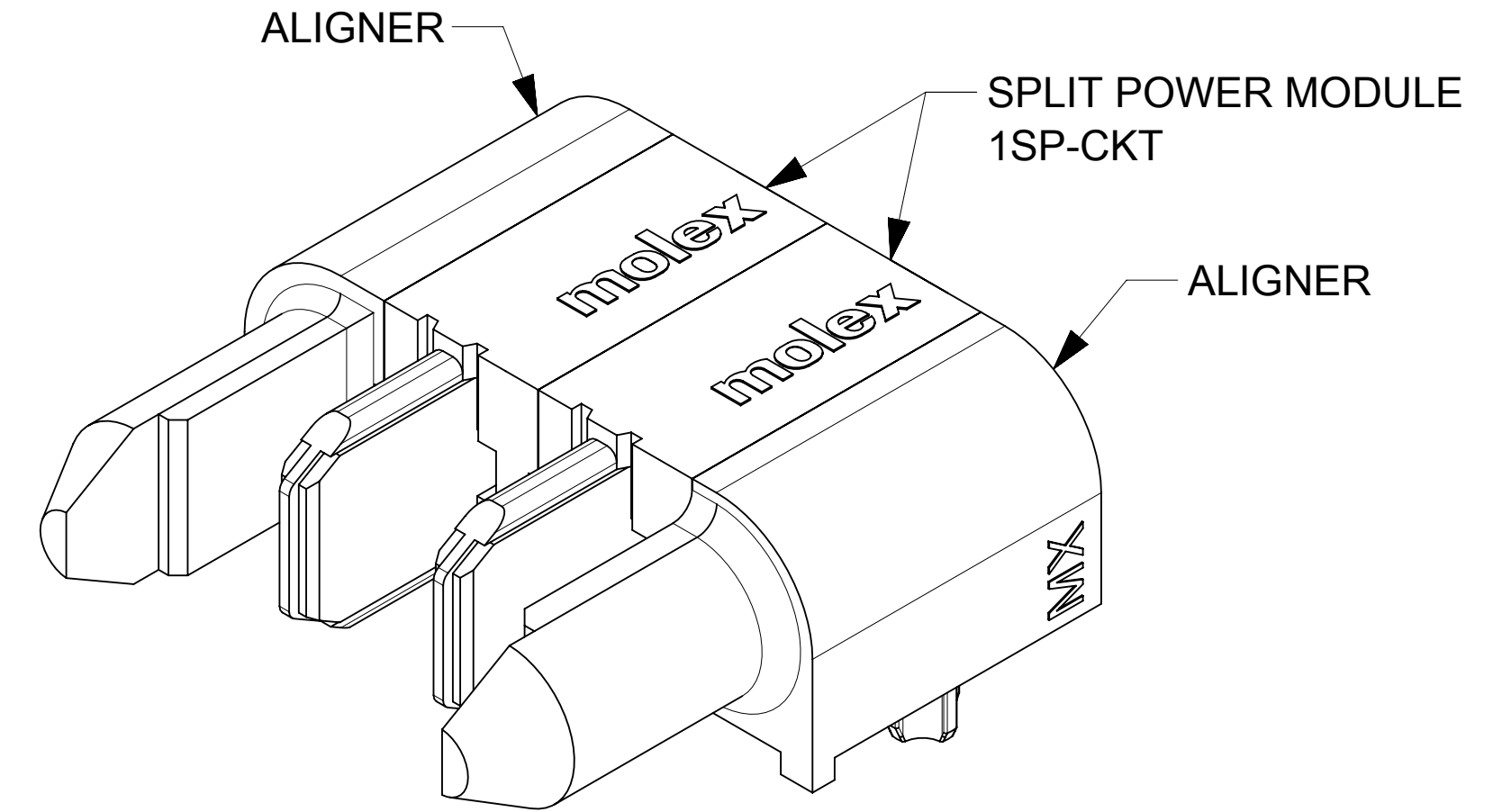
THIS DRAWING CONTAINS INFORMATION THAT IS PROPRIETARY TO MOLEX ELECTRONIC TECHNOLOGIES, LLC AND SHOULD NOT BE USED WITHOUT WRITTEN PERMISSION									
DIMENSION UNITS		SCALE		CURRENT REV DESC: REMOVED P/N 8404 TO 8410					
mm		4:1							
GENERAL TOLERANCES (UNLESS SPECIFIED)									
ANGULAR TOL ± 0.5°									
4 PLACES ±		EC NO: 707711							
3 PLACES ±		DRWN: KSUTAR		2022/05/19					
2 PLACES ± 0.13		CHK'D: GJEEVANSURES		2022/05/23					
1 PLACE ± 0.25		APPR: HTHYAGARAJ		2022/06/08					
0 PLACES ±		INITIAL REVISION:							
		DRWN: KSUTAR		2021/09/22					
		APPR: HTHYAGARAJ		2021/11/08					
DRAFT WHERE APPLICABLE MUST REMAIN WITHIN DIMENSIONS		THIRD ANGLE PROJECTION		DRAWING		SERIES		MATERIAL NUMBER	
		D-SIZE		171088		SEE TABLE		CUSTOMER	
				GENERAL MARKET				SHEET NUMBER	
								1 OF 2	

REFER TO BELOW TABLE FOR DIMENSIONS.

FG P/N	CONFIGURATION	POWER CKT SIZE	DIM "A" (IN MM)	DIM "B" (IN MM)	DIM "X" (IN MM)	HOLES COUNT "H1"	MATES WITH R/A ASSY P/N	MATES WITH VERT ASSY P/N
1710888401	G-1SP-G	1	21.50	22.50	9.00	10	1710908401	1710898401
1710888402	G-2SP-G	2	29.50	30.50	17.00	20	1710908402	1710898402
1710888403	G-3SP-G	3	37.50	38.50	25.00	30	1710908403	1710898403



P/N: 171088-8401 (G-1SP-G)



P/N: 171088-8402 (G-2SP-G)

THIS DRAWING CONTAINS INFORMATION THAT IS PROPRIETARY TO MOLEX ELECTRONIC TECHNOLOGIES, LLC AND SHOULD NOT BE USED WITHOUT WRITTEN PERMISSION												
DIMENSION UNITS		SCALE		CURRENT REV DESC: REMOVED P/N 8404 TO 8410						molex		
mm		4:1										
GENERAL TOLERANCES (UNLESS SPECIFIED)				EC NO: 707711								
ANGULAR TOL ± 0.5°				DRWN: KSUTAR		2022/05/19		G-*SP-G R/A PLUG ASSY - TEN60 SPLIT POWER				
4 PLACES ±		CHK'D: GJEEVANSURES		2022/05/23								
3 PLACES ±		APPR: HTHYAGARAJ		2022/06/08		PRODUCT CUSTOMER DRAWING						
2 PLACES ± 0.13		INITIAL REVISION:		DRWN: KSUTAR		2021/09/22		DOCUMENT NUMBER		DOC TYPE	DOC PART	REVISION
1 PLACE ± 0.25		DRWN: HTHYAGARAJ		2021/11/08		1710888410		PSD	000	A2		
0 PLACES ±		DRAFT WHERE APPLICABLE MUST REMAIN WITHIN DIMENSIONS		THIRD ANGLE PROJECTION		DRAWING		SERIES		MATERIAL NUMBER	CUSTOMER	SHEET NUMBER
				D-SIZE		171088		SEE TABLE		GENERAL MARKET		2 OF 2