

THIS DRAWING IS UNPUBLISHED.

RELEASED FOR PUBLICATION

20

© COPYRIGHT 20 BY -

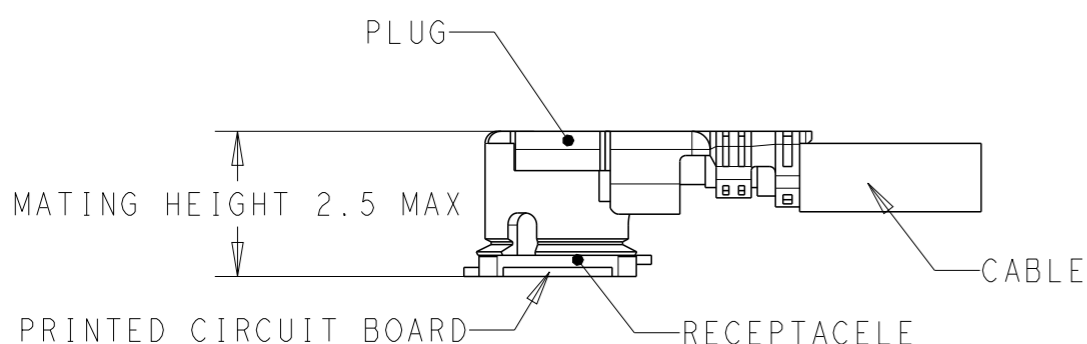
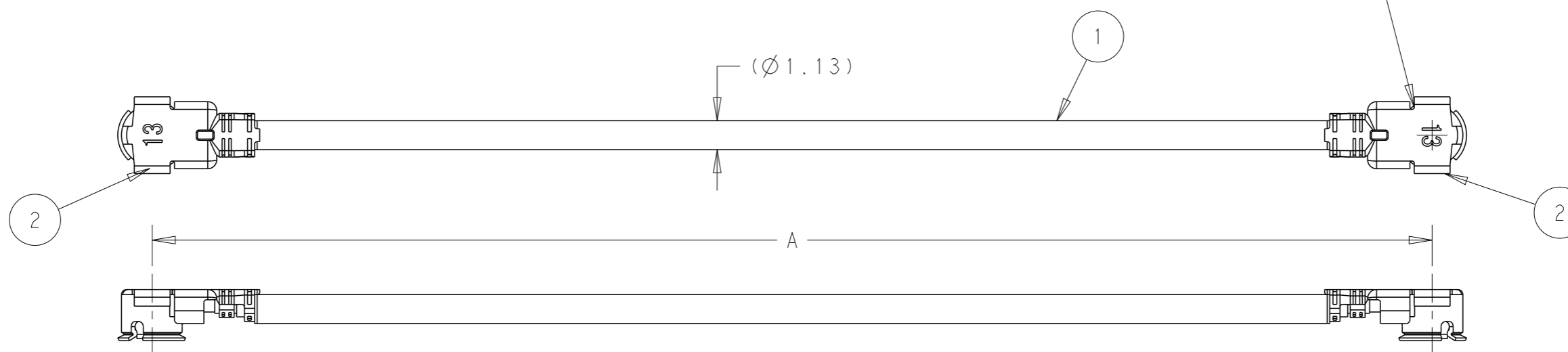
ALL RIGHTS RESERVED.

REVISIONS


P	LTR	DESCRIPTION	DATE	DWN	APVD
C2		ECR-20-010112	28JUN2020	CL	SZ
C3		ECR-21-103575(NEW PN)	18MAY2021	JZ	WKH
C4		ECR-21-111621(NEW PN)	28AUG2021	JZ	WKH
C5		ECR-22-134829	13APR2022	JZ	WKH

- PARTS AND PROCESSES RoHS COMPLIANT PER TE CONNECTIVITY STANDARD TEC-138-702.
- 100% OPEN AND SHORT MISWIRE TEST.
- PRODUCT RATING:  
CHARACTERISTIC IMPEDANCE: 50 OHMS Normal  
FREQUENCY RANGE: DC TO 9GHz
- UMCC GEN1 CAN MATE WITH I-PEX MHFI SERIES AND HIROSE U.FL SERIE

CONNECTOR 0° FROM OTHER END



90±2	UMCC GEN1 PLUG	BLACK	1.13MM LOW LOSS	1-2118651-4
150±3	UMCC GEN1 PLUG	BLACK	1.13 MM	1-2118651-3
80±2	UMCC GEN1 PLUG	BLACK	1.13 MM	1-2118651-2
509±5	UMCC GEN1 PLUG	BLACK	1.13 MM	1-2118651-1
60±2	UMCC GEN1 PLUG	BLACK	1.13 MM	1-2118651-0
250±5	UMCC GEN1 PLUG	BLACK	1.13 MM	2118651-9
200±3	UMCC GEN1 PLUG	BLACK	1.13 MM	2118651-8
90±2	UMCC GEN1 PLUG	BLACK	1.13 MM	2118651-7
90±2	UMCC GEN1 PLUG	GRAY	1.13 MM	2118651-6
70±2	UMCC GEN1 PLUG	BLACK	1.13 MM	2118651-5
40±2	UMCC GEN1 PLUG	BLACK	1.13 MM	2118651-4
75±2	UMCC GEN1 PLUG	BLACK	1.13 MM	2118651-3
30±2	UMCC GEN1 PLUG	BLACK	1.13 MM	2118651-2
140±3	UMCC GEN1 PLUG	BLACK	1.13 MM	2118651-1
A	CONNECTOR (2)	COLOR-CABLE	(1)	PART NUMBER

THIS DRAWING IS A CONTROLLED DOCUMENT.		DWN J. SCHOLZ 01APR2016	 TE Connectivity	
DIMENSIONS: mm		CHK J. SCHOLZ 01APR2016		
TOLERANCES UNLESS OTHERWISE SPECIFIED:		APVD J. MOORE 01APR2016	NAME CABLE ASSEMBLY, COAX 1.13 MM DOUBLE ENDED, UMCC GEN1 PLUG	
0 PLC ±- 1 PLC ±- 2 PLC ±- 3 PLC ±- 4 PLC ±- ANGLES ±-		PRODUCT SPEC 108-2231	SIZE A3	
MATERIAL		APPLICATION SPEC	CAGE CODE 00779	DRAWING NO C-2118651
FINISH		WEIGHT	RESTRICTED TO	
		CUSTOMER DRAWING	SCALE 8:1	SHEET 1 OF 1
			REV C5	