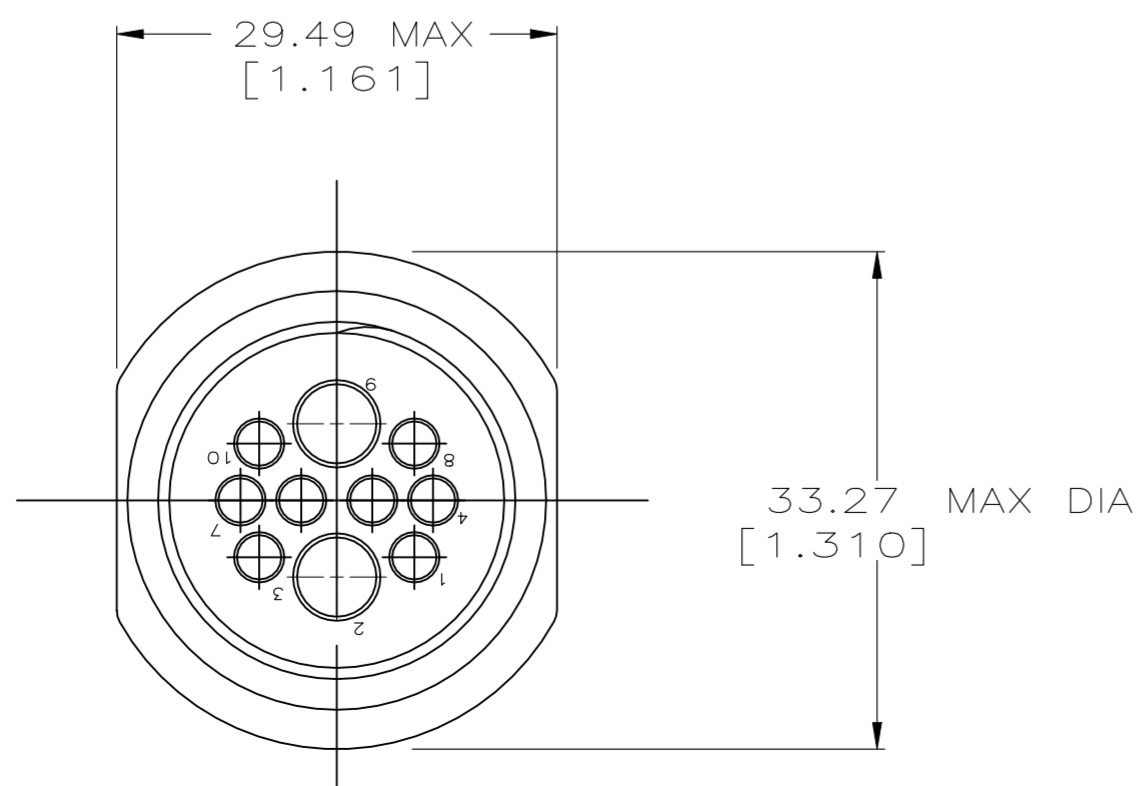
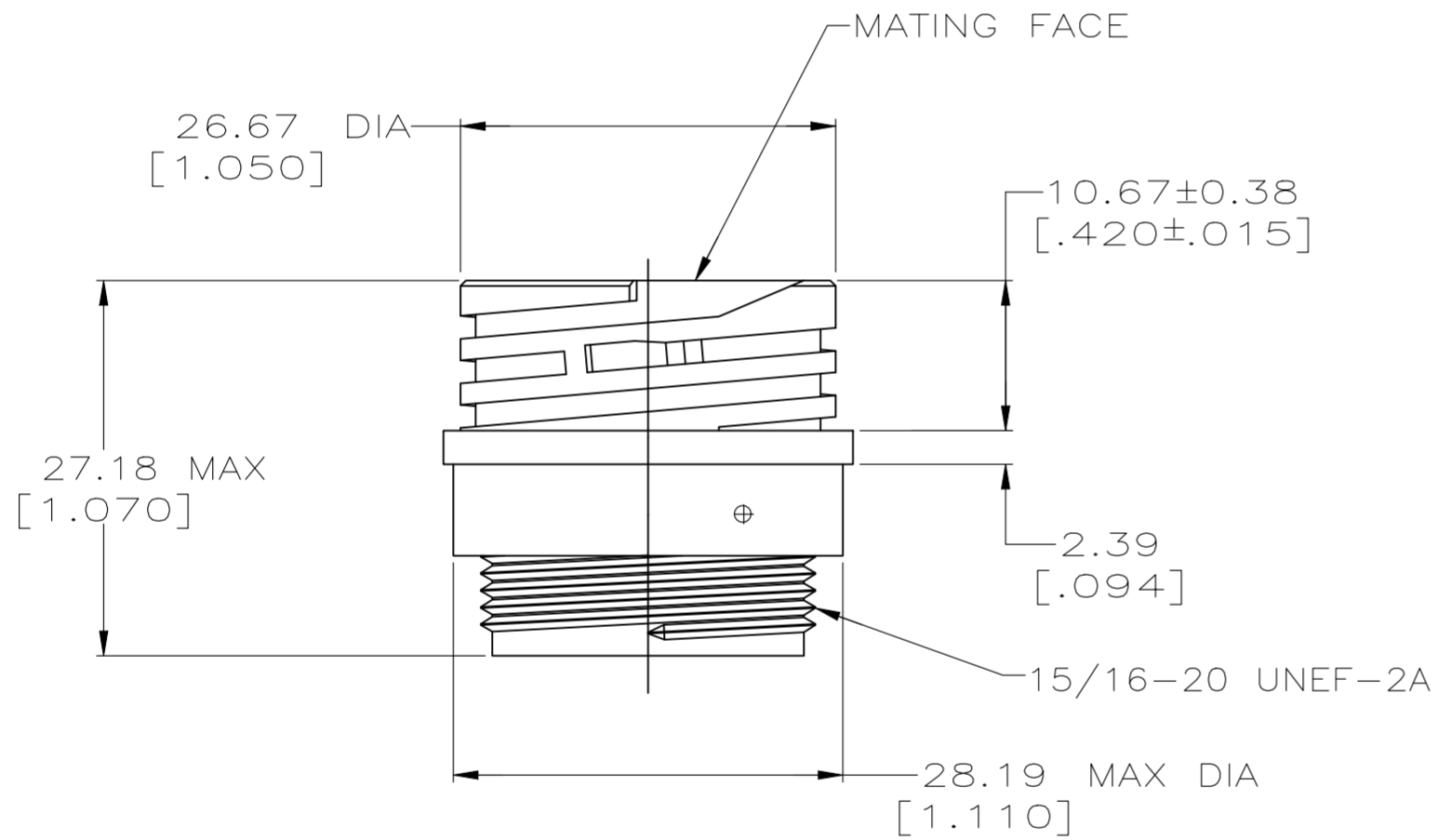
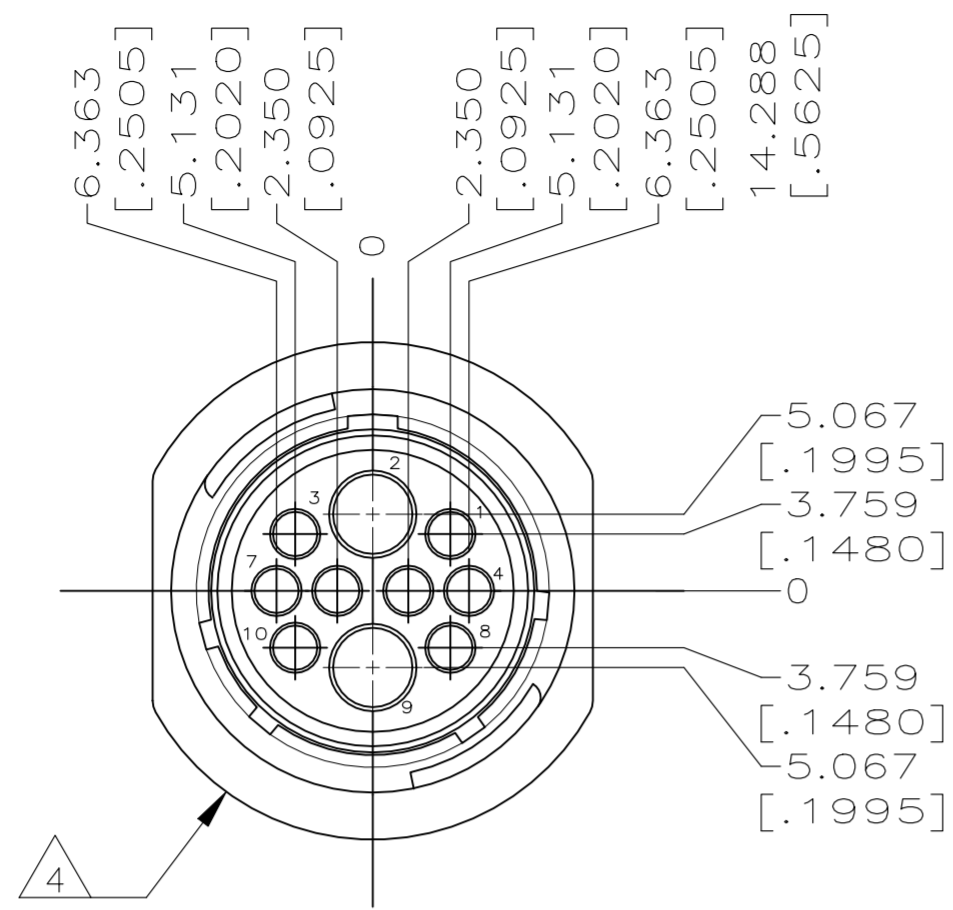


REVISIONS				
P	LTR	DESCRIPTION	DATE	APVD
F		ECO-21-006943	13OCT2021	RK MZ



1. THIS CONNECTOR WILL ACCEPT TWO TYPE I, SIZE 12 SOCKET CONTACTS AND EIGHT MULTIMATE SOCKET CONTACTS.
 2. TYPE I CONTACTS MATE FIRST, BREAK LAST.
 3. MAX WIRE INSULATION USED WITH THIS RECEPTACLE IS 2.67[.105] DIA FOR MULTIMATE SOCKET CONTACTS.
- △ 4 TE LOGO AND PART NUMBER LOCATED ON ANY FLANGE EDGE

213129-1
PART NUMBER

THIS DRAWING IS A CONTROLLED DOCUMENT.		DWN C.OBERMAN 05/23/95	TE TE Connectivity	
DIMENSIONS: mm [INCHES]		CHK R.STONE 5-25-95		
TOLERANCES UNLESS OTHERWISE SPECIFIED:		APVD A.FRANTUM 5-25-95	NAME RECEPTACLE, ARR 17-10M, REVERSE SEX, SERIES 4, CLASS A, FREE-HANGING, CPC	
0 PLC ± -		PRODUCT SPEC -	SIZE A2	CAGE CODE 00779
1 PLC ± -		APPLICATION SPEC -	DRAWING NO C=213129	RESTRICTED TO -
2 PLC ± 0.25 [.010]		WEIGHT -	SCALE 2:1	SHEET 1 of 1
3 PLC ± 0.250 [.0100]		CUSTOMER DRAWING	REV F	
4 PLC ± -				
ANGLES ± -				
FINISH -				
MATERIAL NYLON, BLACK				