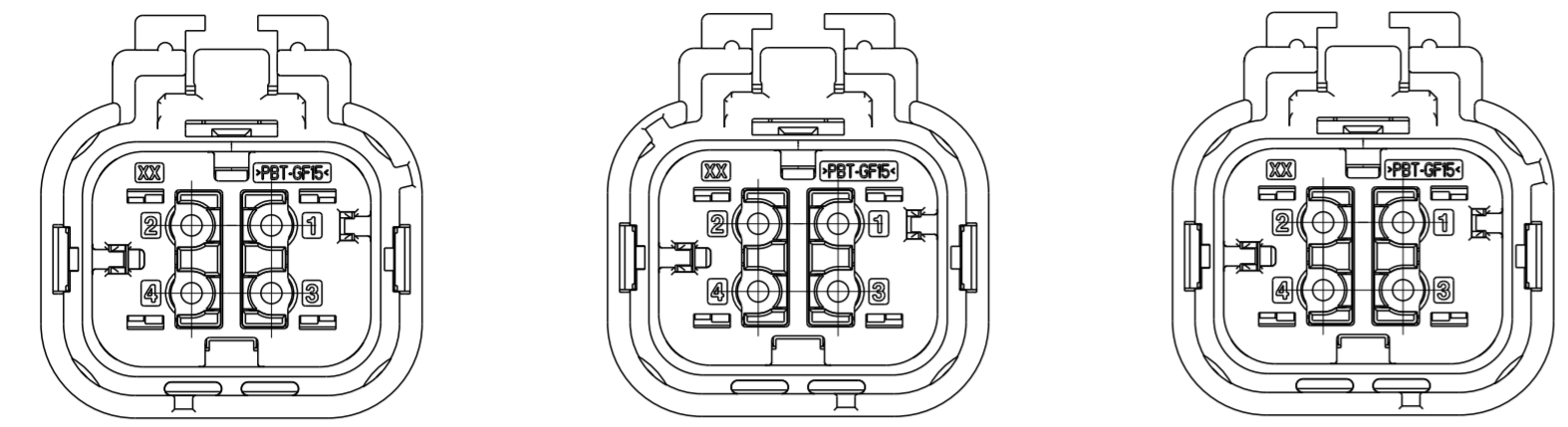
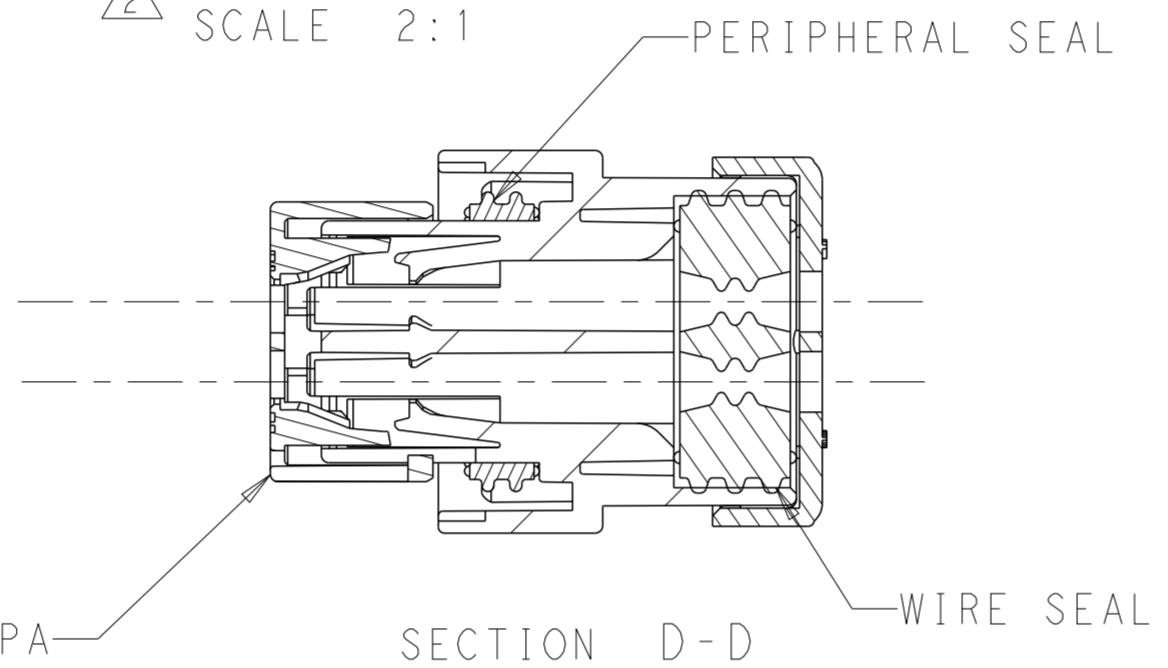


THIS DRAWING IS UNPUBLISHED. RELEASED FOR PUBLICATION  
 © COPYRIGHT copyright.d8Te- ALL RIGHTS RESERVED.

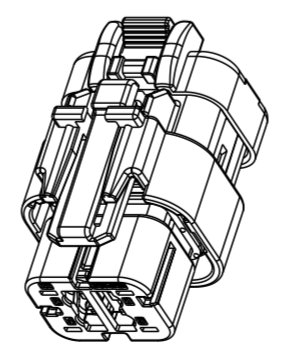
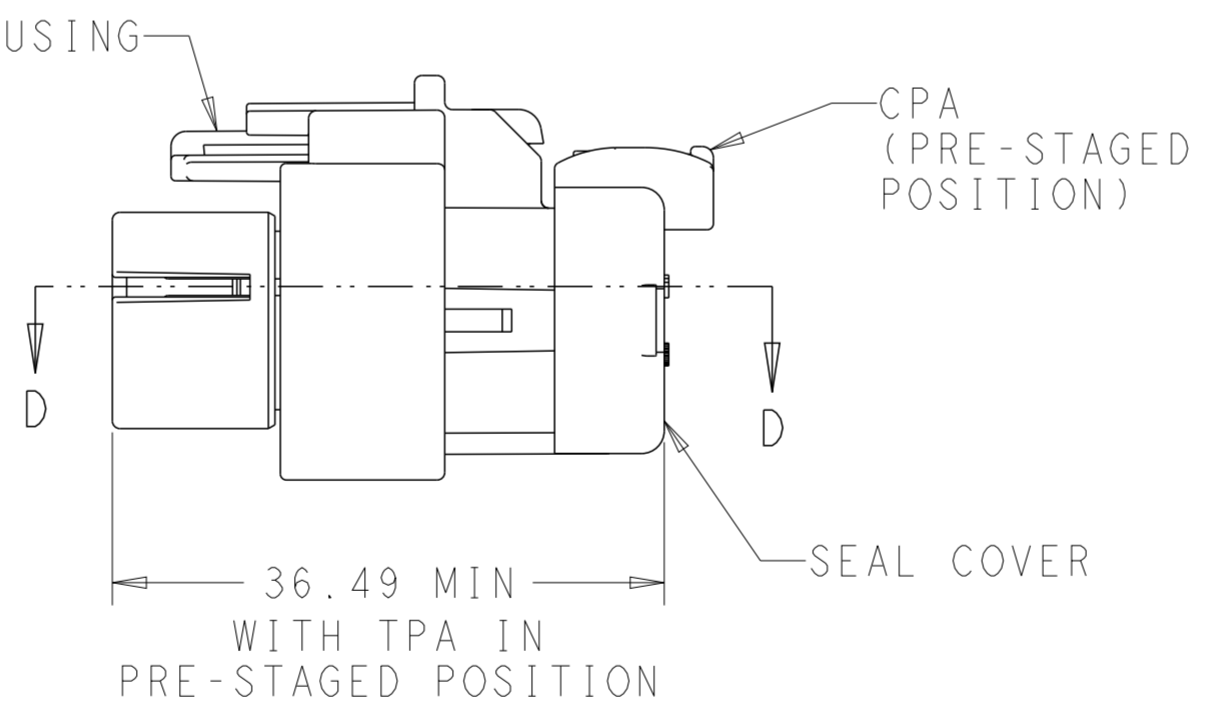
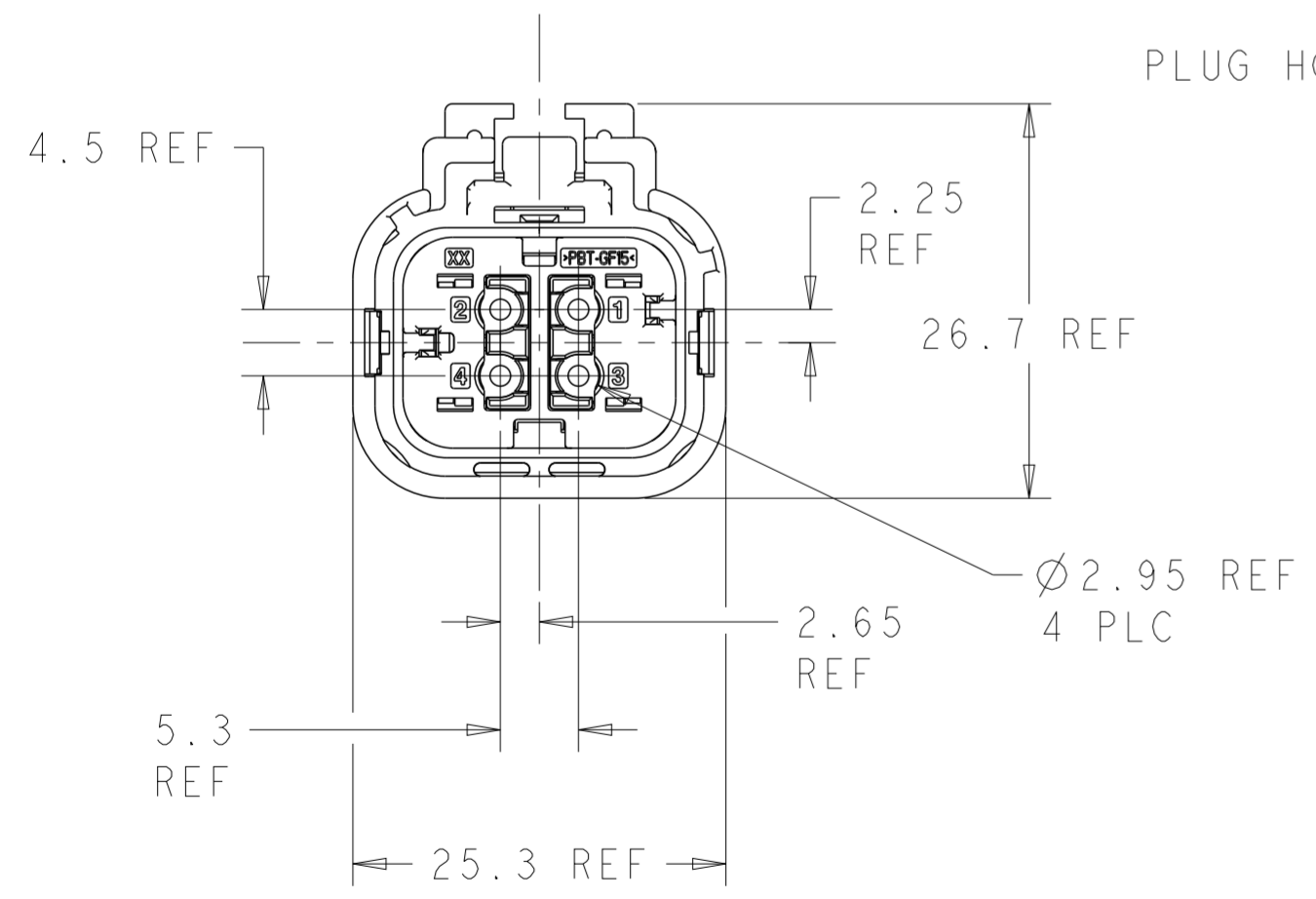
REVISIONS				
P	LTR	DESCRIPTION	DATE	APVD
A		RELEASE PER ECO-20-015410	09OCT2019	DFS JB



2338212-2 SCALE 2:1      2338212-3 SCALE 2:1      2338212-4 SCALE 2:1



PERIPHERAL SEAL  
 WIRE SEAL  
 PLUG TPA  
 SECTION D-D



ISOMETRIC VIEW SHOWN FOR REFERENCE ONLY SCALE 1:1

2338212-1 AS SHOWN

NOTES:

1. MATERIALS:

- PLUG HOUSING:  
 GENERIC TYPE = 15% GF PBT  
 COLOR = SEE TABLE
- PERIPHERAL SEAL:  
 GENERIC TYPE = SILICONE RUBBER  
 COLOR = TAN
- WIRE SEAL:  
 GENERIC TYPE: SILICONE RUBBER  
 COLOR = GREEN
- SEAL COVER:  
 GENERIC TYPE = 15% GF PBT  
 COLOR = BLACK
- PLUG TPA:  
 GENERIC TYPE = 15% GF PBT  
 COLOR = BLACK
- PLUG CPA:  
 GENERIC TYPE = 15% GF PBT  
 COLOR = RED

2. NOT TOOLED FOR PRODUCTION

- 3. APPLICABLE INTERFACE DRAWING: 208-160010
- 4. TPA SHOWN IN THE PRE-STAGED (AS SHIPPED) POSITION.
- 5. MATTE SEAL TO ACCOMODATE WIRE INSULATION O.D. RANGE OF 2.18mm TO 3.81mm.
- 6. REFER TO AS16 COAX PRODUCT GROUP DRAWING: 2381263 FOR INFORMATION REGARDING MATING COMPONENTS, ACCESSORIES, AND APPLICATION TOOLING.

BEIGE	2338212-4
SIGNAL BLUE	2338212-3
CLARET VIOLET	2338212-2
WATER BLUE	2338212-1
HOUSING COLOR	PART NUMBER

THIS DRAWING IS A CONTROLLED DOCUMENT.		DWN J. LOCONDRO 02-Nov-20	TE Connectivity	
DIMENSIONS: mm		CHK D.F. STACK 8AUG2020		
TOLERANCES UNLESS OTHERWISE SPECIFIED:		APVD J. BARTH 9AUG2020	NAME PLUG SOCKET ASSY, 4P, W2W, SEALED AS16 COAX	
0 PLC ±	1 PLC ±	PRODUCT SPEC 108-94799	SIZE A2	CAGE CODE -
2 PLC ±	3 PLC ±	APPLICATION SPEC 114-94667	DRAWING NO C-2338212-C	RESTRICTED TO -
4 PLC ±	ANGLES ±	WEIGHT 11.94 g	SCALE 2:1	SHEET 1 OF 1
MATERIAL 1	FINISH -	CUSTOMER DRAWING	REV A	