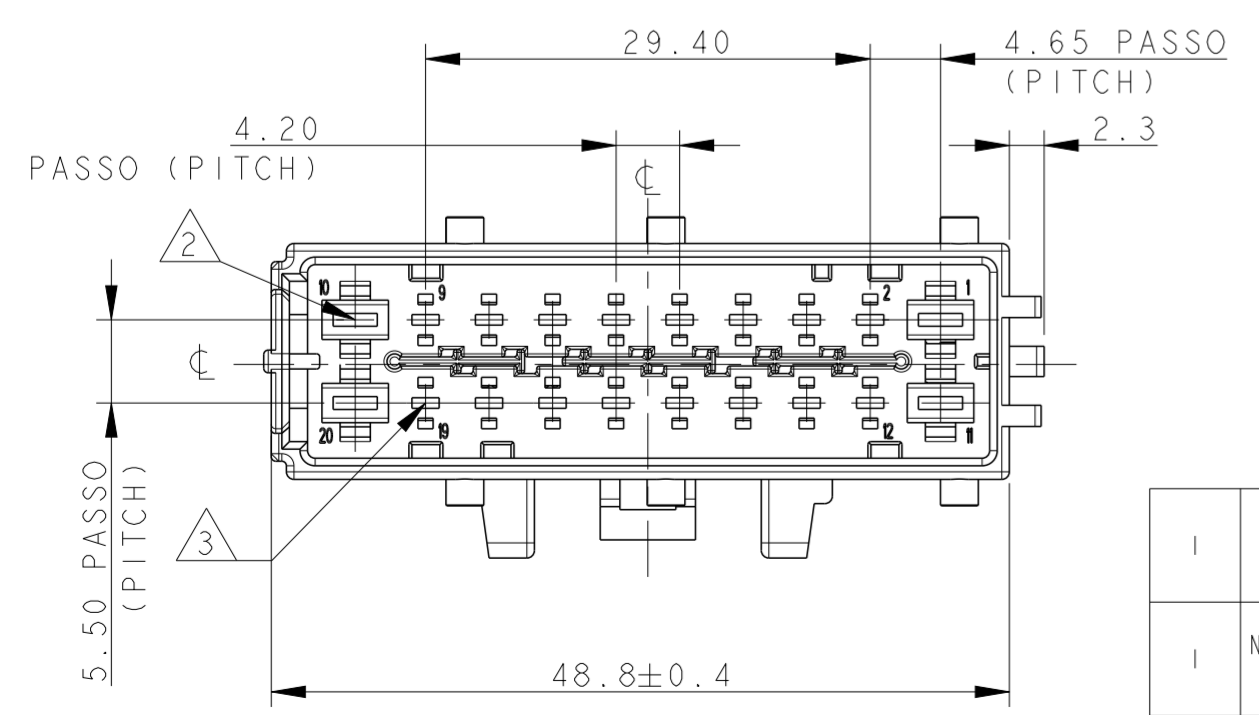
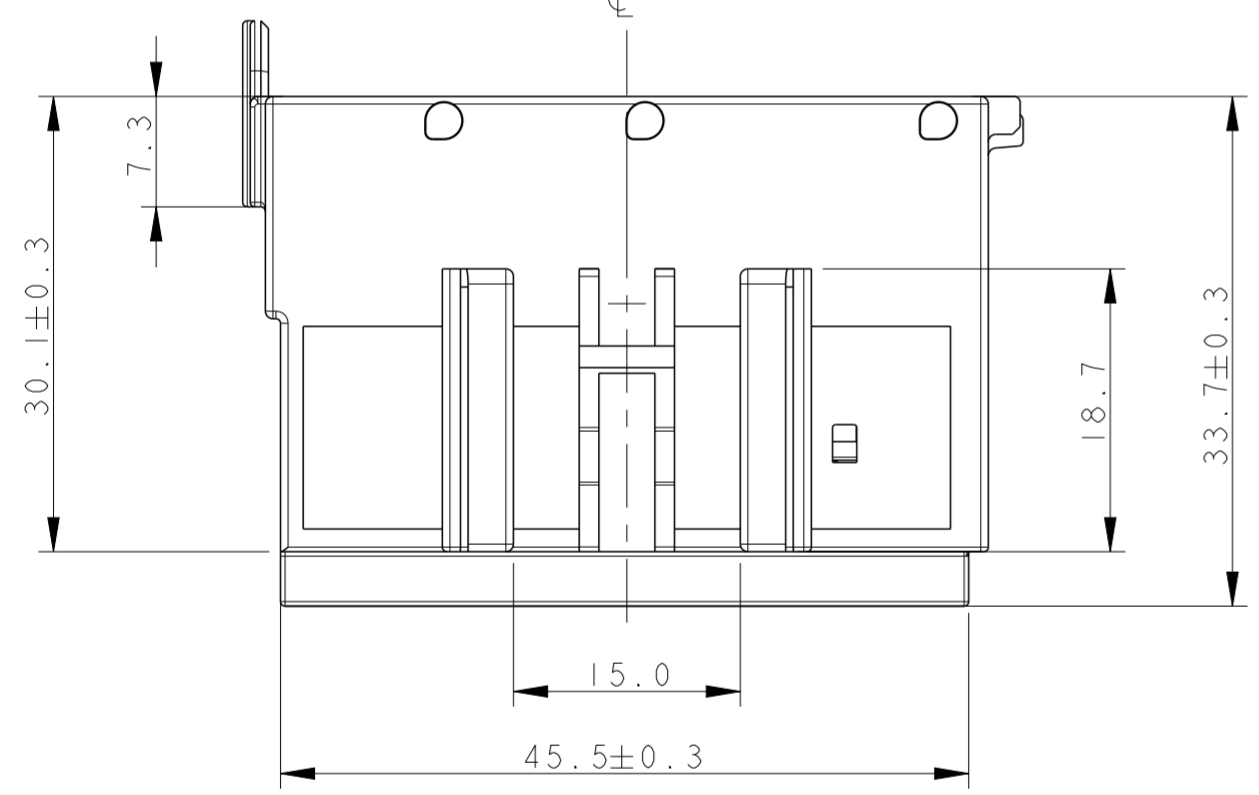
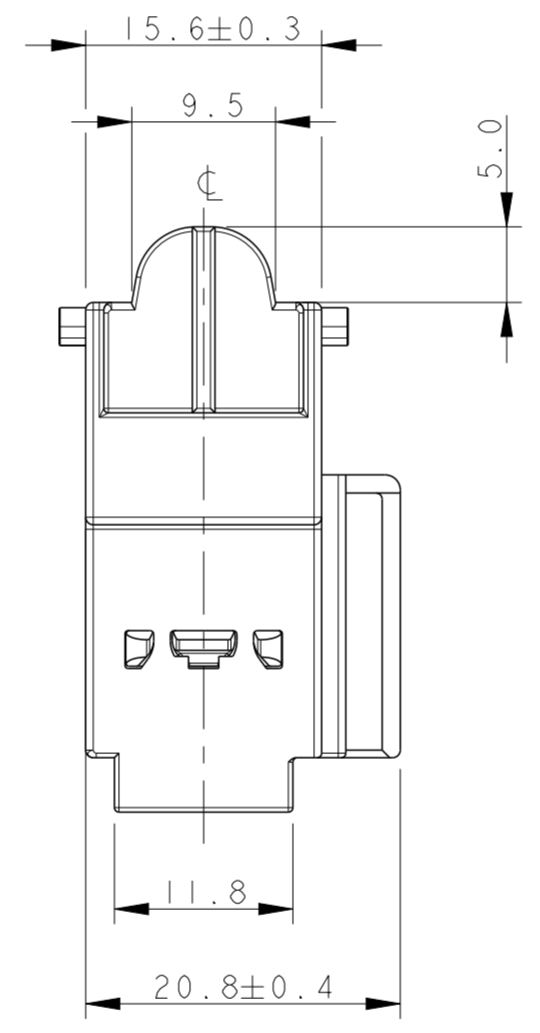
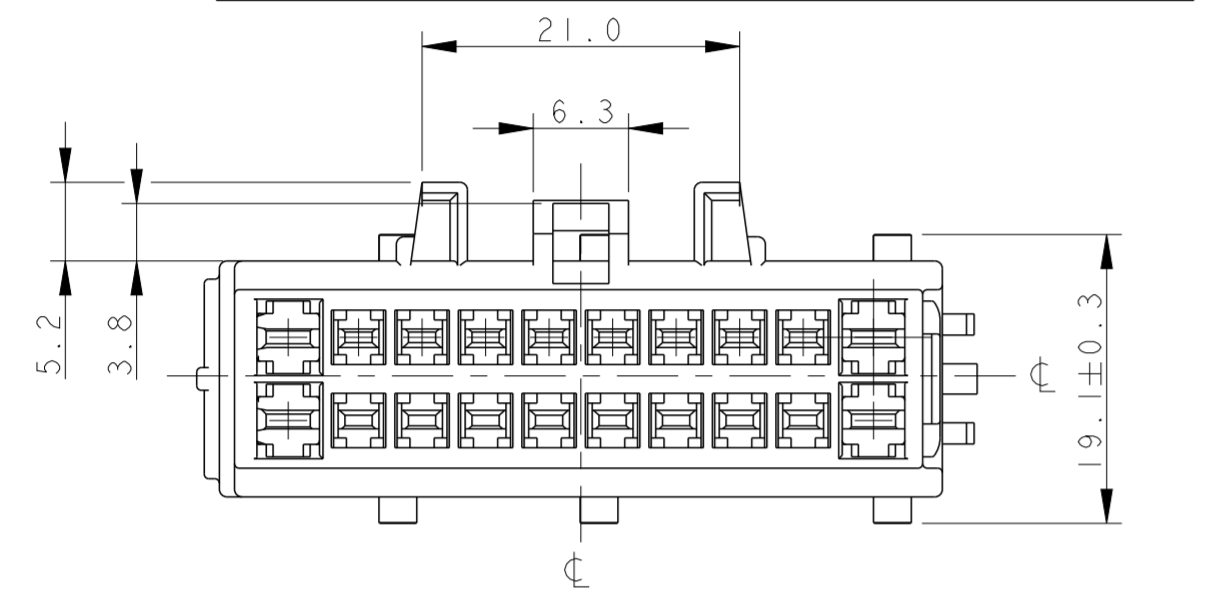
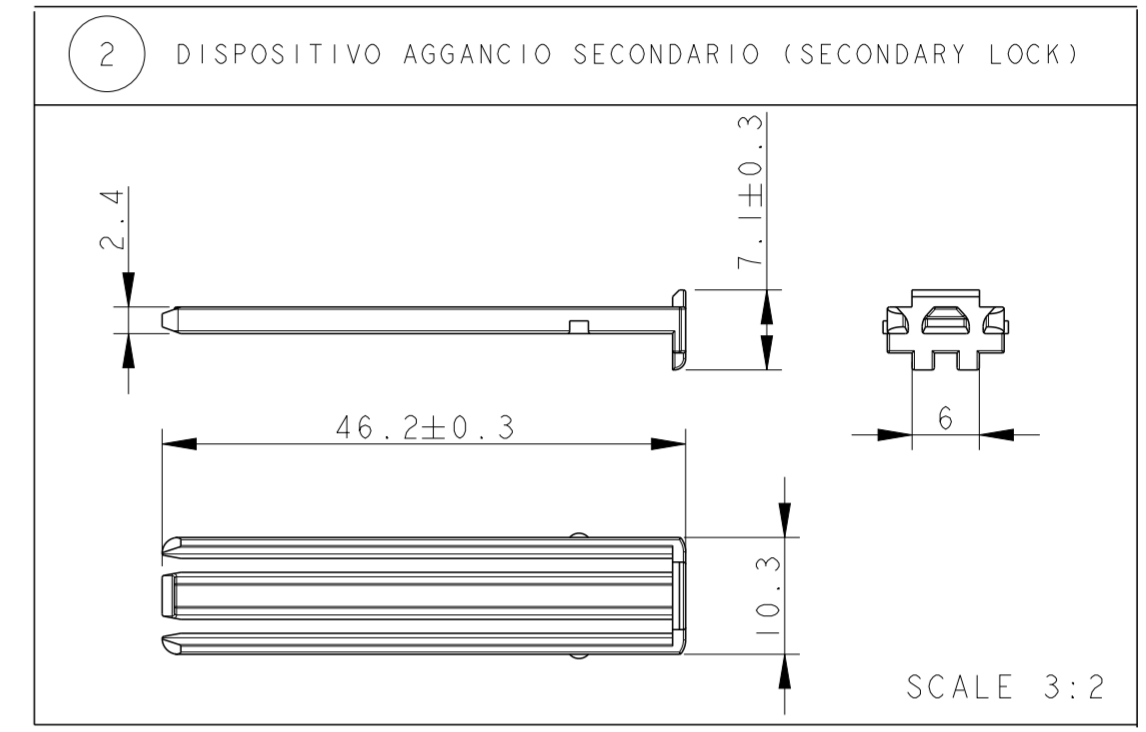
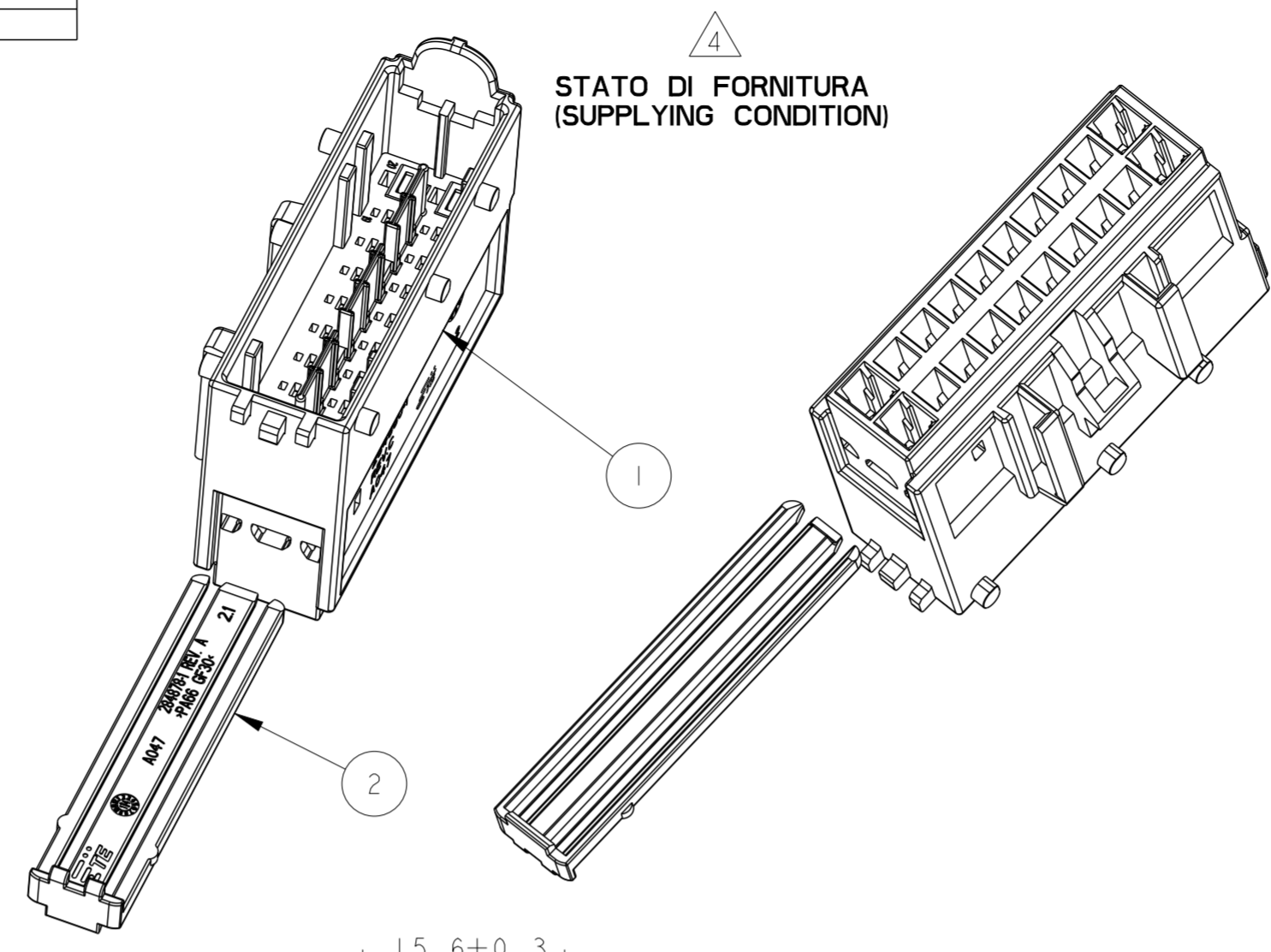
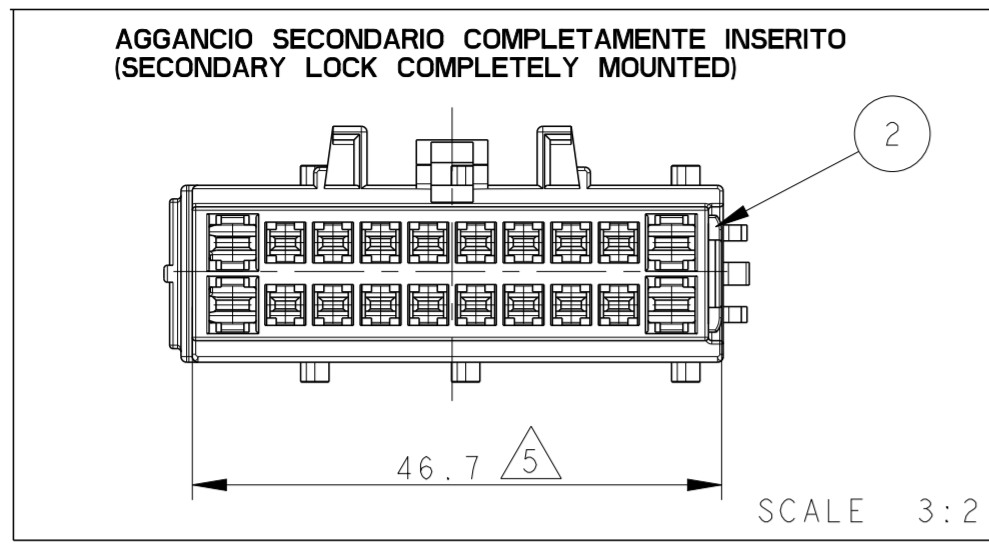


THIS DRAWING IS UNPUBLISHED. RELEASED FOR PUBLICATION 2002
 © COPYRIGHT 2002 BY - ALL RIGHTS RESERVED.

REVISIONS					
P	LTR	DESCRIPTION	DATE	DWN	APVD
B1		ECR-15-011013	29JUL2015	M.P.	M.G.
B2		REVISED PER ECO-17-001706	10FEB2017	C.A	M.G
B3		REVISED (ECO-17-002568)	23FEB2017	M.G.	M.G.
C		CHANGED GLASS FIBER % ON HOUSING (ECO-17-018409)	15DEC2017	M.G.	M.G.



- 1) IL CONNETTORE SI ACCOPPIA CON LA CONTROPARTE P/N 284875 (CONNECTOR MATEABLE WITH COUNTERPART P/N 284875)
- 2) N.RO 4 CAVITA' ADATTE PER CONTATTI MASCHIO 2.8x0.6mm TYP.A STAGNATI (N. 4 CAVITIES SUITABLE FOR 2.8x0.6mm TYP. A TAB CONTACTS TIN PLATED)
 P/N 2-964294-1 : ADATTO PER RANGO FILO 0.5-1.0 sqmm (SUITABLE FOR 0.5-1.0 sqmm WIRE SECTION)
 P/N 2-964296-1 : ADATTO PER RANGO FILO > 1.0-2.5 sqmm (SUITABLE FOR > 1.0-2.5 sqmm WIRE SECTION)
- 3) N.RO 16 CAVITA' ADATTE PER CONTATTI MASCHIO 1.6x0.8mm TYP.A STAGNATI (N. 16 CAVITIES SUITABLE FOR 1.6x0.8mm TYP. A TAB CONTACTS TIN PLATED)
 P/N 964265-2 : ADATTO PER RANGO FILO 0.35-0.5 sqmm (SUITABLE FOR 0.35-0.5 sqmm WIRE SECTION)
 P/N 964267-2 : ADATTO PER RANGO FILO > 0.5-1.0 sqmm (SUITABLE FOR > 0.5-1.0 sqmm WIRE SECTION)
 P/N 1241846-2 : ADATTO PER RANGO FILO > 1.0-1.5 sqmm (SUITABLE FOR > 1.0-1.5 sqmm WIRE SECTION)
- 4) IL CONNETTORE VIENE FORNITO CON AGGANCIAMENTO SECONDARIO NELLA STESSA SCATOLA IN PARI QUANTITA' (CONNECTOR IS SUPPLIED WITH SECONDARY LOCK IN THE SAME BOX IN SAME Q.TY)
- 5) AGGANCIAMENTO SECONDARIO COMPLETAMENTE INSERITO, DOPO INSERIZIONE DI CONTATTI IN CAVITA' (SECONDARY LOCK COMPLETELY MOUNTED, AFTER CONTACTS INSERTION INTO CAVITIES)
- 6) LE POLARIZZAZIONI -3 E -4 DIFFERISCONO DALLE -1 E -2 SOLAMENTE PER LA POSIZIONE DEL SISTEMA DI AGGANCIAMENTO A PANNELLO (POLARIZATIONS -3 AND -4 ARE DIFFERENT FROM -1 AND -2 ONLY FOR THE PANEL HOOK DEVICE POSITION)

P/N 284879-1 COME MOSTRATO (CODICE A)
(P/N 284879-1 AS SHOWN (CODING A))
VEDI FOGLIO 2 PER LE ALTRE POLARIZZAZIONI
(SEE SHEET 2 FOR OTHER POLARIZATIONS)

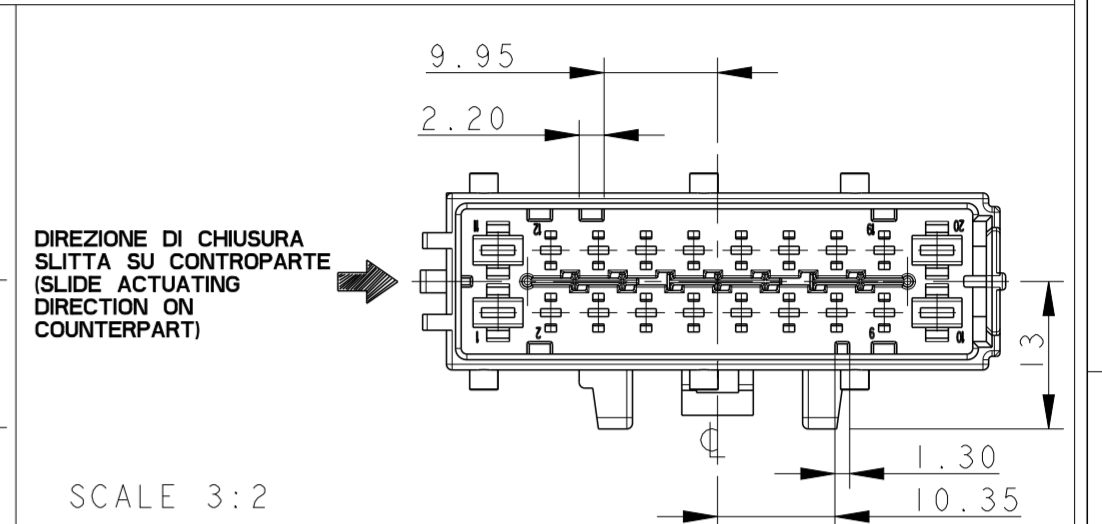
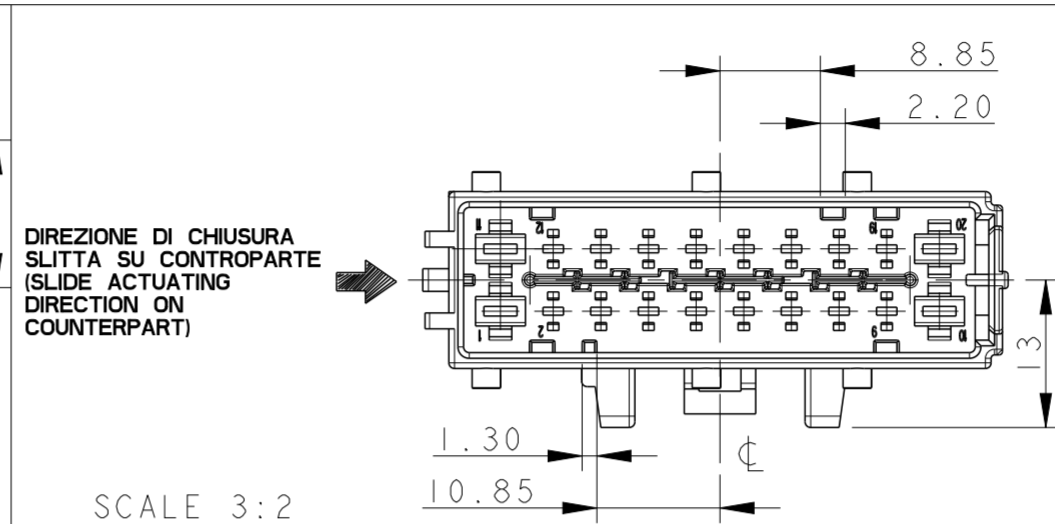
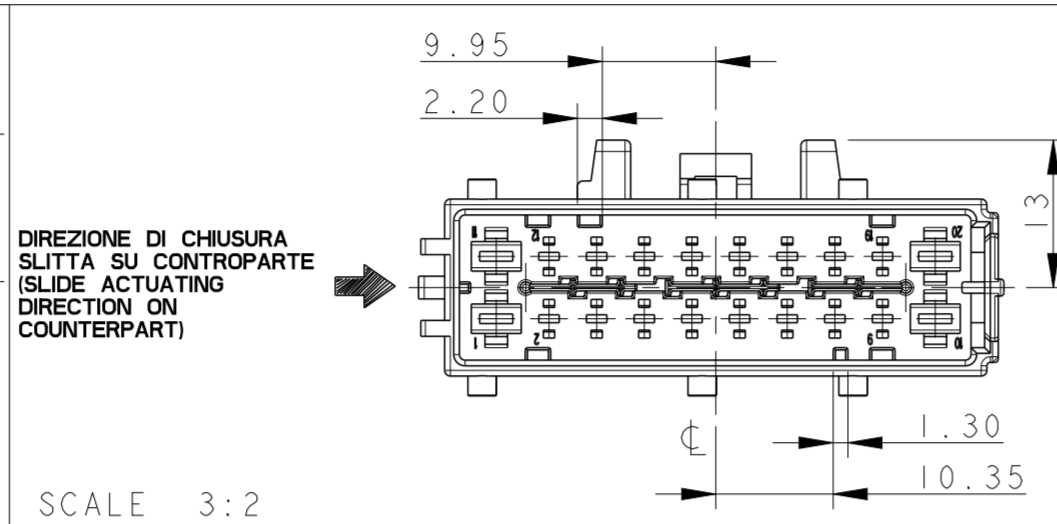
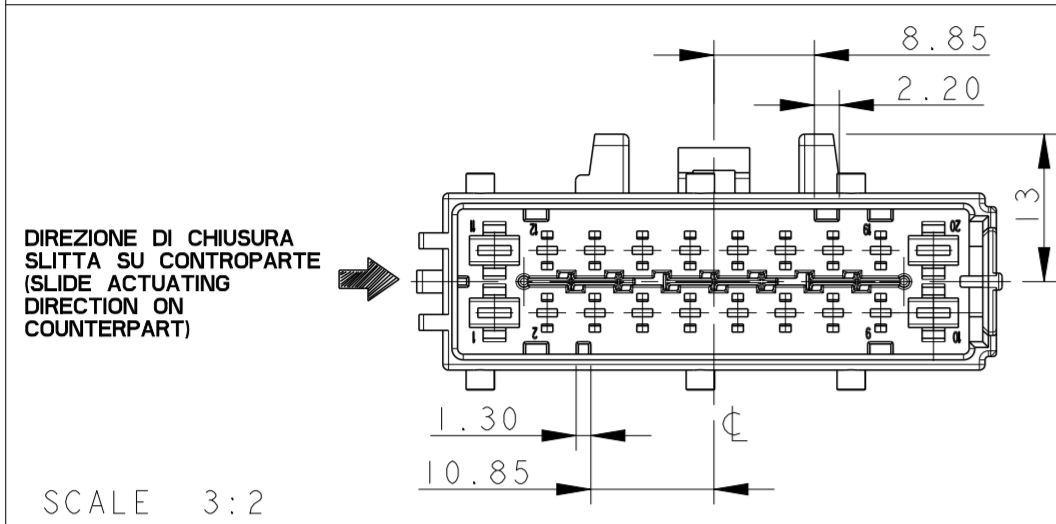
Q.TA' (Q.TY)	COLORE (COLOUR)	MATERIALE (MATERIAL)	DESCRIZIONE (DESCRIPTION)	NO. (ITEM)
1	ROSSO (RED)	PA66 GF30	DISPOSITIVO AGGANCIAMENTO SECONDARIO (SECONDARY LOCK)	2
1	NERO, GRIGIO, MARRONE (BLACK, GREY, BROWN)	PA66 GF20	BLOCCHETTO PORTACONTATTI (HOUSING)	1

THIS DRAWING IS A CONTROLLED DOCUMENT.		DWN M. POLIZZI 25JUL2002
DIMENSIONS: mm		CHK O. CANUTO 25JUL2002
TOLERANCES UNLESS OTHERWISE SPECIFIED:		APVD A. GENIA 25JUL2002
0 PLC	±0.3	PRODUCT SPEC 108-20243
1 PLC	±0.2	APPLICATION SPEC 411-20071
2 PLC	±0.1	WEIGHT -
3 PLC	±	Customer Drawing
4 PLC	±	
ANGLES	±1°	
FINISH	-	

		TE Connectivity	
		NAME AMP MCP 1.5/2.8 TAB HOUSING 20 POS. ASS'Y - UNSEALED	
SIZE A2	CAGE CODE -	DRAWING NO C-284879	RESTRICTED TO -
SCALE 2:1		SHEET 1 OF 4	REV C

REVISIONS				
P	LTR	DESCRIPTION	DATE	APVD
-	-	SEE SHEET 1	-	-

CODICI DI POLARIZZAZIONE (POLARIZATION CODINGS)



P/N 284879-1 REV. C
 BLOCCHETTO COLORE NERO
 (HOUSING BLACK COLOUR)
 CODICE A (CODING A)
 CONTROPARTE ADATTA:
 (SUITABLE COUNTERPART:
 P/N 284875-1 / 284875-2 / 284875-6

SISTEMA AGGANCIAMENTO A PANNELLO SUL LATO SX (PANEL HOOK DEVICE ON LEFT SIDE)

P/N 284879-2 REV. C
 BLOCCHETTO COLORE GRIGIO
 (HOUSING GREY COLOUR)
 CODICE B (CODING B)
 CONTROPARTE ADATTA:
 (SUITABLE COUNTERPART:
 P/N 284875-3 / 284875-4

SISTEMA AGGANCIAMENTO A PANNELLO SUL LATO SX (PANEL HOOK DEVICE ON LEFT SIDE)

P/N 284879-3 REV. C
 BLOCCHETTO COLORE NERO
 (HOUSING BLACK COLOUR)
 CODICE A (CODING A)
 CONTROPARTE ADATTA:
 (SUITABLE COUNTERPART:
 P/N 284875-1 / 284875-2 / 284875-6

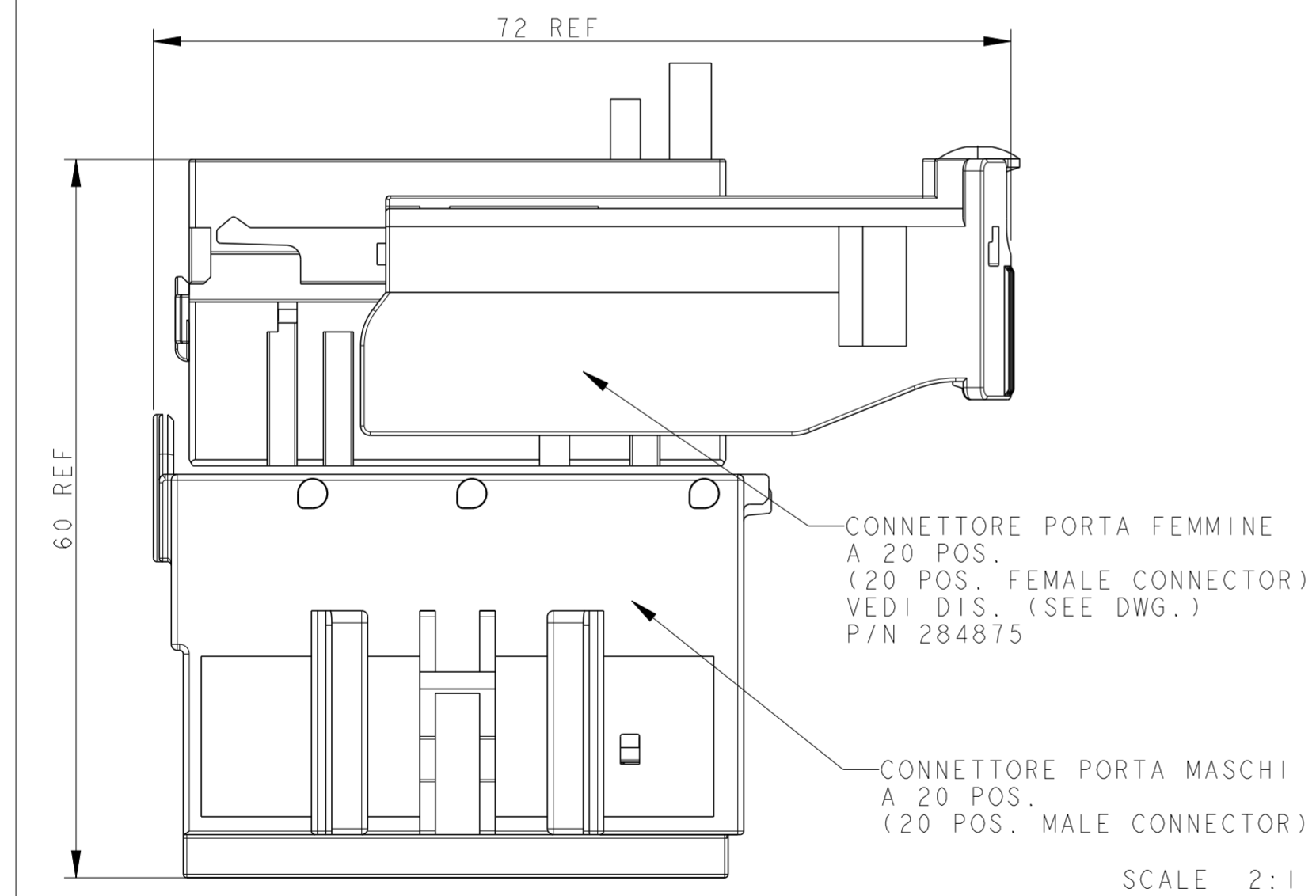
SISTEMA AGGANCIAMENTO A PANNELLO SUL LATO DX (PANEL HOOK DEVICE ON RIGHT SIDE)

P/N 284879-4 REV. C
 BLOCCHETTO COLORE GRIGIO
 (HOUSING GREY COLOUR)
 CODICE B (CODING B)
 CONTROPARTE ADATTA:
 (SUITABLE COUNTERPART:
 P/N 284875-3 / 284875-4

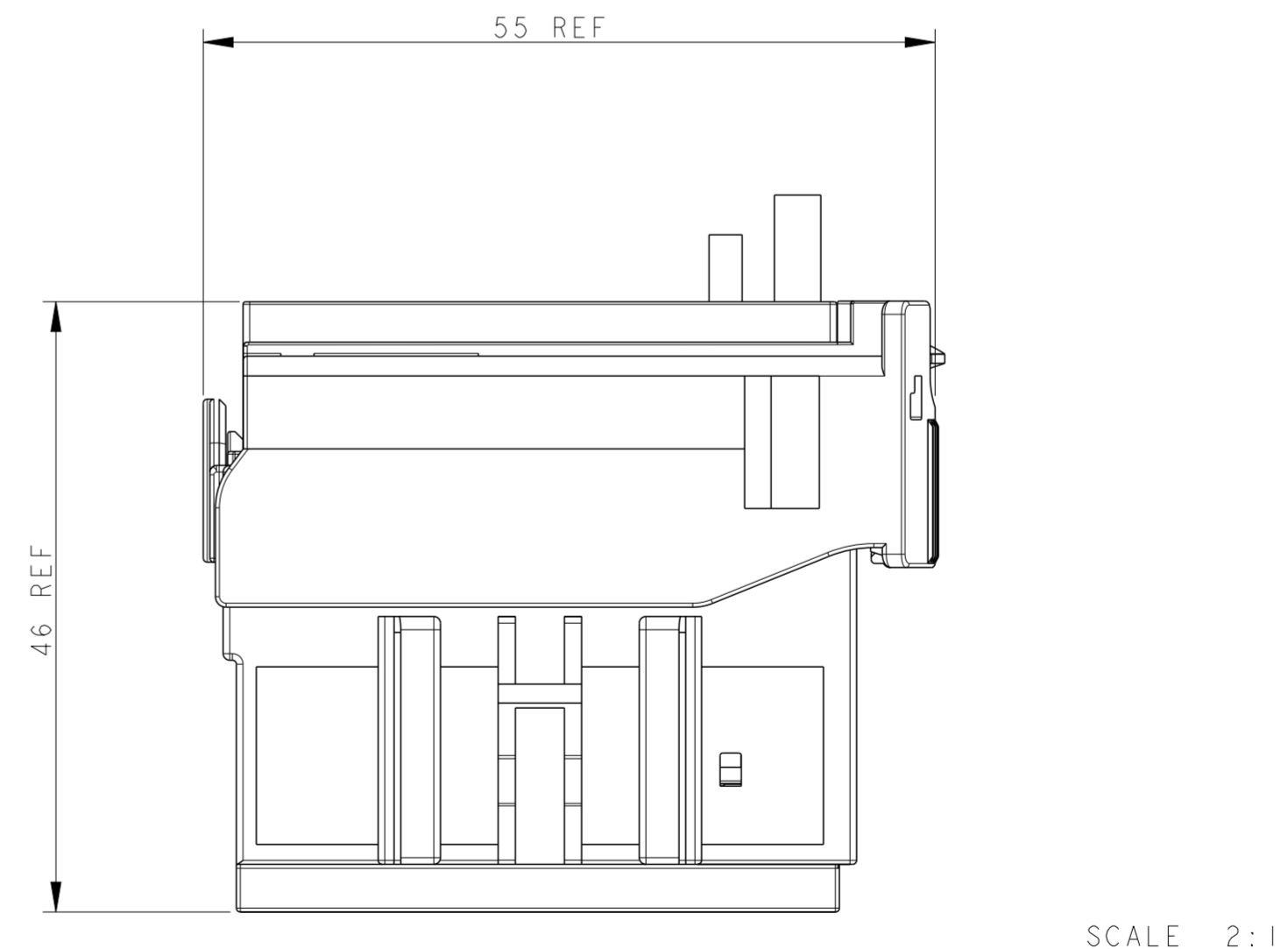
SISTEMA AGGANCIAMENTO A PANNELLO SUL LATO DX (PANEL HOOK DEVICE ON RIGHT SIDE)

INGOMBRI DI RIFERIMENTO PER ACCOPPIAMENTO CON CONTROPARTE
 (SPACE NEEDED DURING MATING WITH COUNTERPART)

CONNETTORI IN FASE DI ACCOPPIAMENTO
 (CONNECTORS DURING MATING PHASE)



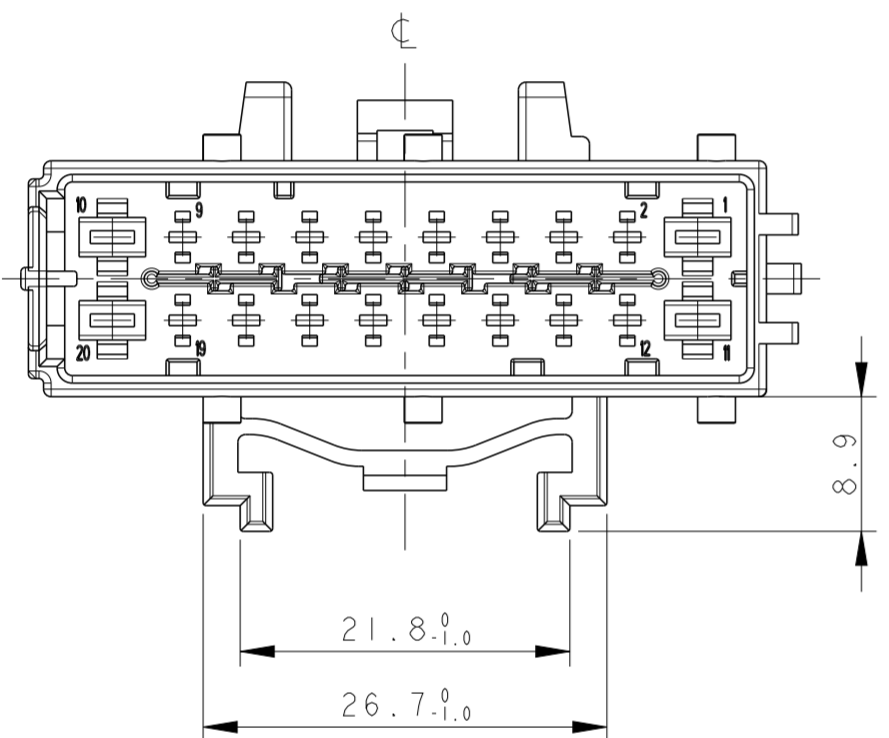
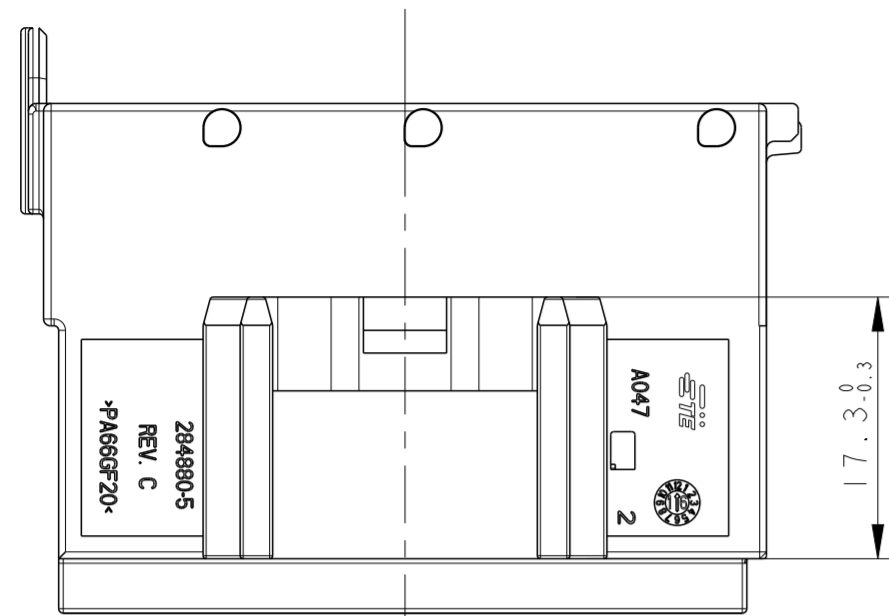
CONNETTORI ACCOPPIATI
 (MATED CONNECTORS)



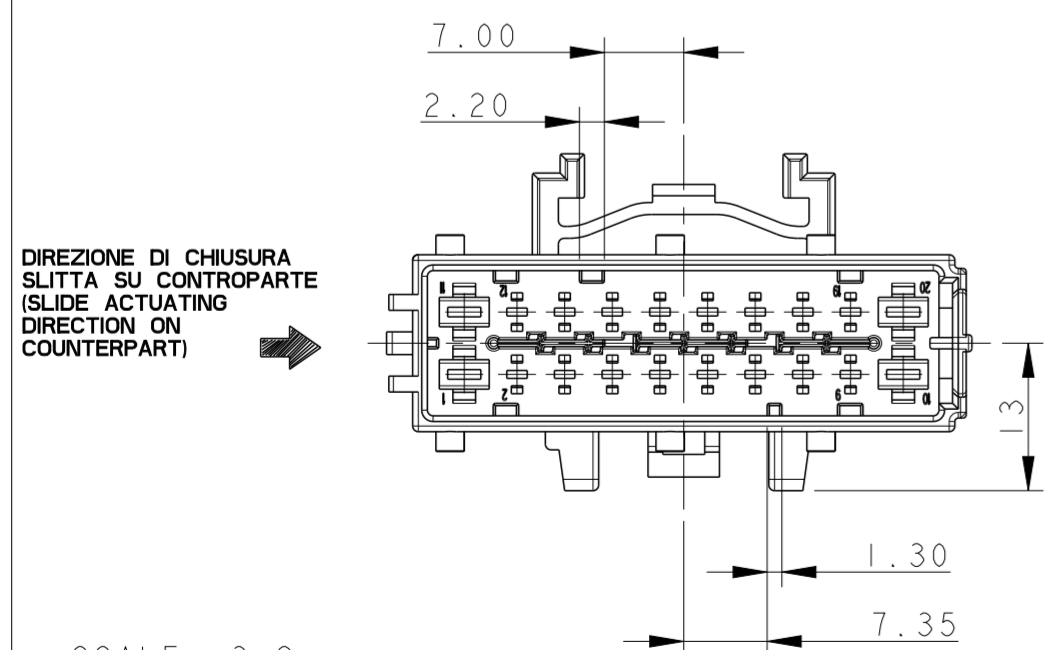
THIS DRAWING IS A CONTROLLED DOCUMENT.		DWN M. POLIZZI 25 JUL 2002	TE Connectivity	
		CHK O. CANUTO 25 JUL 2002		
		APVD A. GENIA 25 JUL 2002	NAME AMP MCP 1.5/2.8 TAB HOUSING 20 POS. ASS'Y - UNSEALED	
DIMENSIONS: mm		PRODUCT SPEC 108-20243		SIZE A2
TOLERANCES UNLESS OTHERWISE SPECIFIED:		APPLICATION SPEC 411-20071		CAGE CODE -
0 PLC ±0.3		WEIGHT -		DRAWING NO C-284879
1 PLC ±0.2		Customer Drawing		RESTRICTED TO -
2 PLC ±0.1		SCALE 2:1		SHEET 2 OF 4
3 PLC ±				REV C
4 PLC ±				
ANGLES ±1°				
FINISH -				
MATERIAL SEE TABLE				

REVISIONS				
P	LTR	DESCRIPTION	DATE	APVD
-	-	SEE SHEET 1	-	-

P/N 284879-5



CODICE DI POLARIZZAZIONE (POLARIZATION CODING)

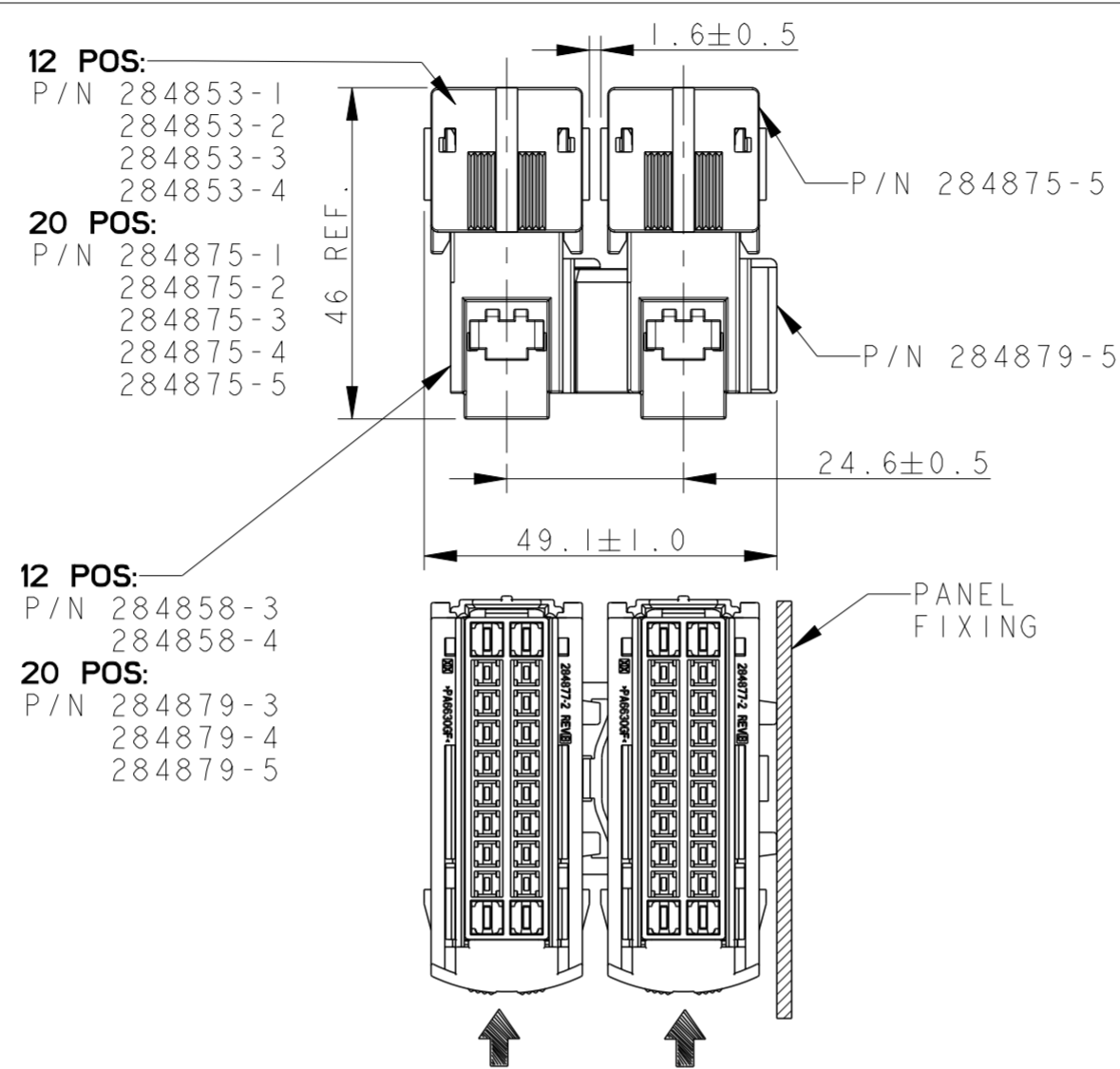


SCALE 3:2
 P/N 284879-5 REV.C
 BLOCCHETTO COLORE MARRONE
 (HOUSING BROWN COLOUR)
 CODICE C (CODING C)
 CONTROPARTE ADATTA:
 (SUITABLE COUNTERPART:
 P/N 284875-5

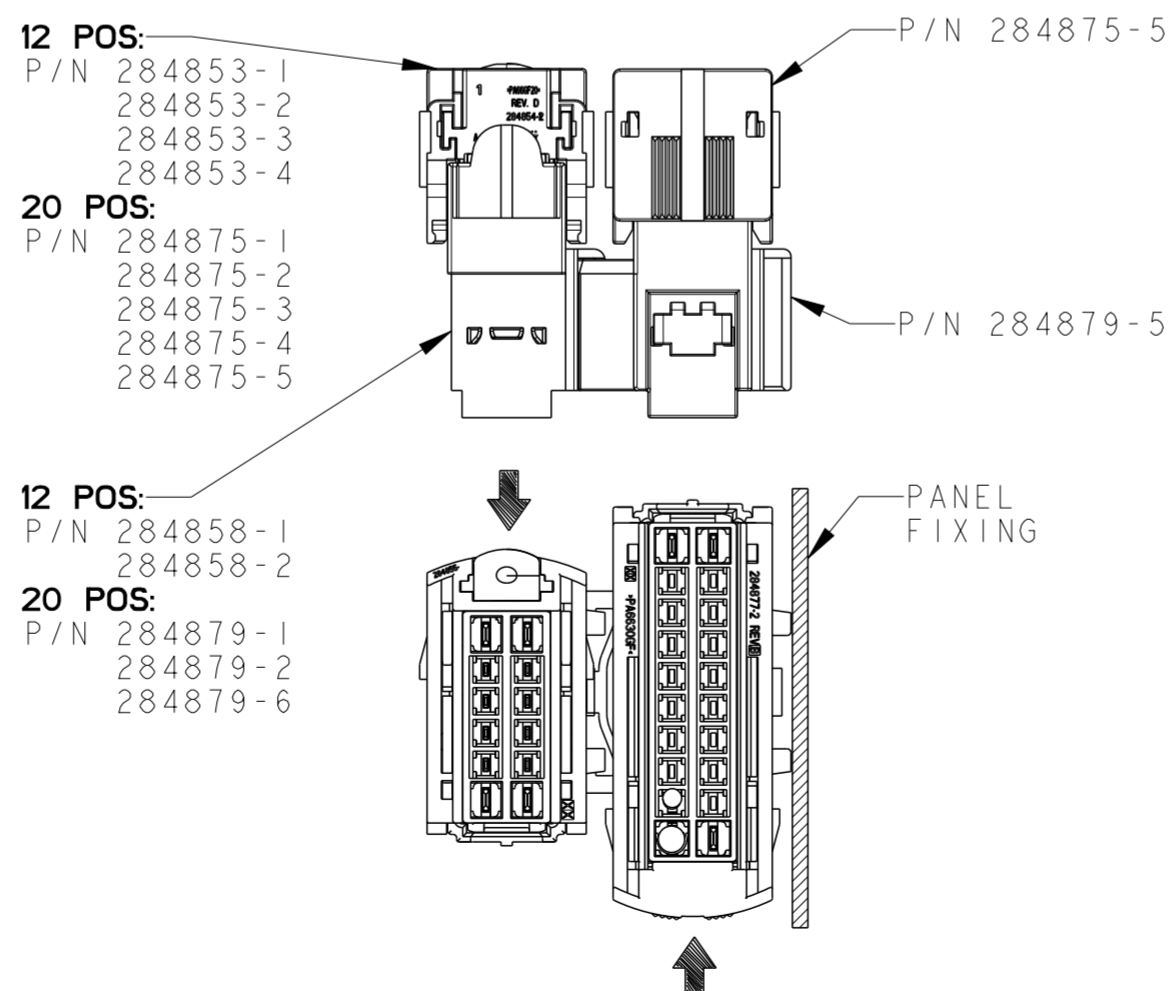
SISTEMA AGGANCIO A PANNELLO SUL LATO DX (PANEL HOOK DEVICE ON RIGHT SIDE)

OVERALL DIMENSIONS (DIMENSIONI DI INGOMBRO)

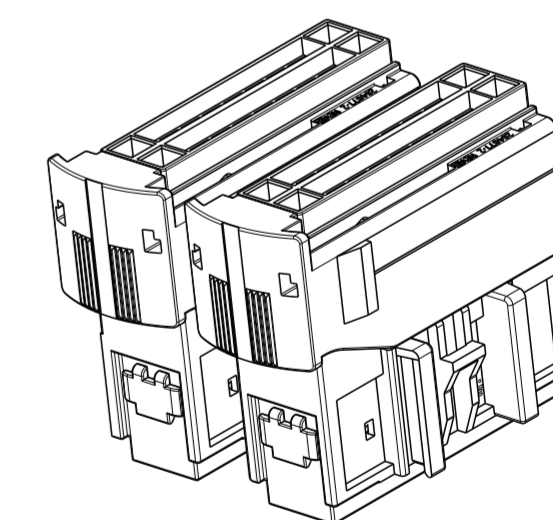
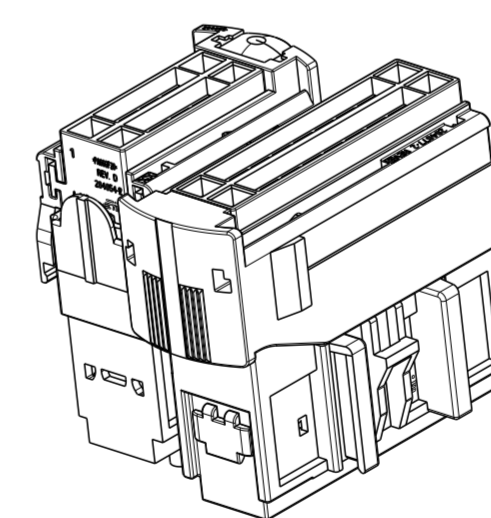
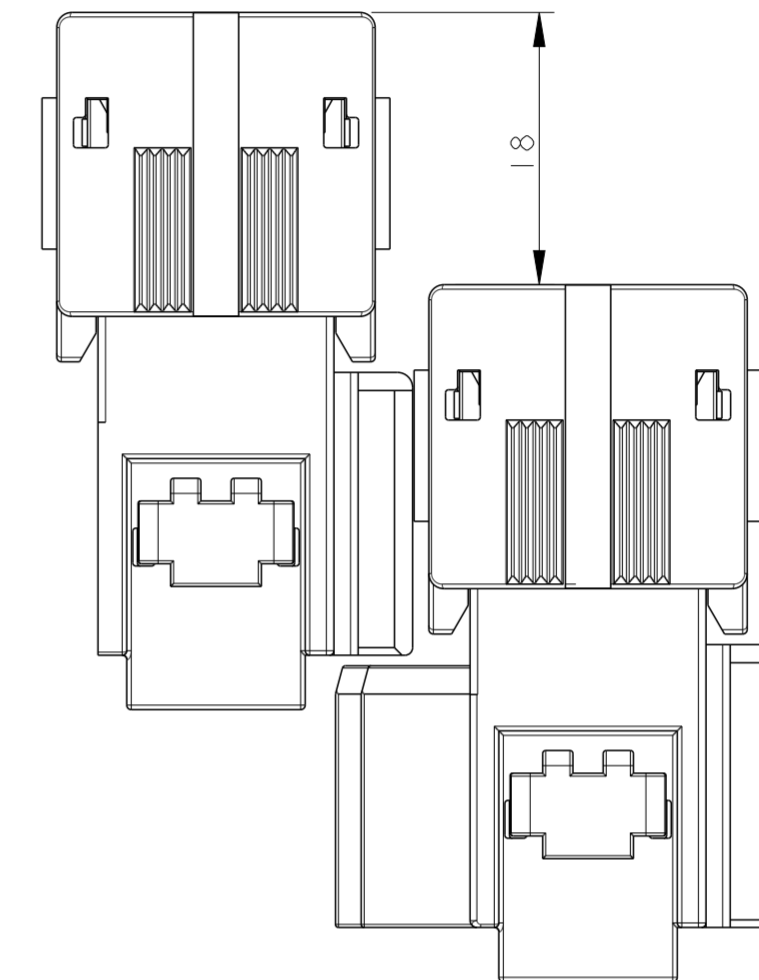
PANEL FIXING CONFIGURATIONS WITH SAME SLIDE ACTUATING DIRECTION (CONFIGURAZIONI PER FISSAGGIO A PANNELLO CON STESSA DIREZIONE DI CHIUSURA SLITTE)



PANEL FIXING CONFIGURATIONS WITH OPPOSITE SLIDE ACTUATING DIRECTION (CONFIGURAZIONI PER FISSAGGIO A PANNELLO CON DIREZIONE OPPOSTA DI CHIUSURA SLITTE)



DIMENSIONI DI INGOMBRO IN FASE DI ACCOPIAMENTO VERSIONE MODULARE (OVERALL DIMENSIONS DURING MATING PHASE MODULAR VERSION)

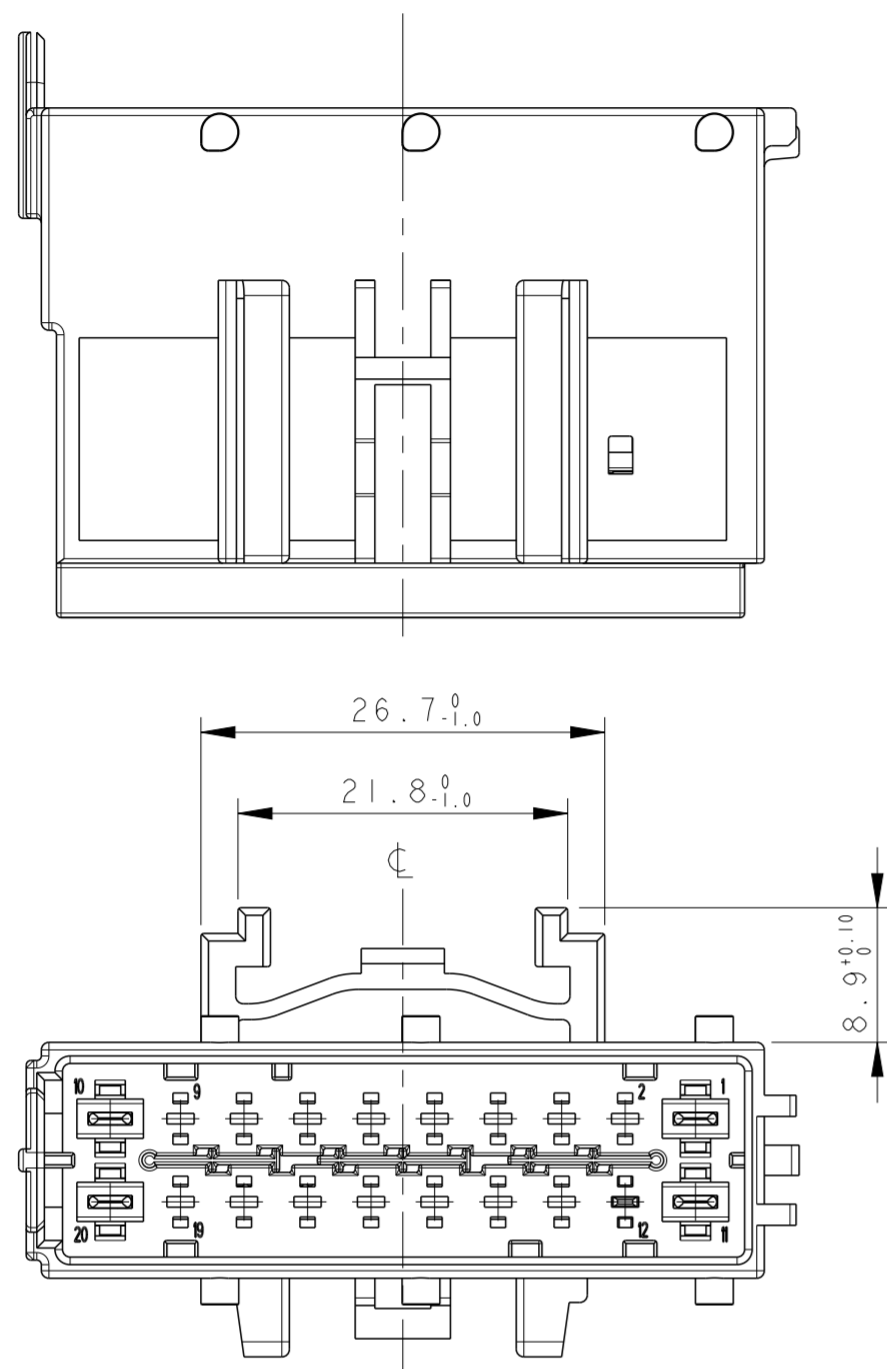


SCALE 1:1

THIS DRAWING IS A CONTROLLED DOCUMENT.		DWN M. POLIZZI 25 JUL 2002	TE Connectivity	
DIMENSIONS: mm		CHK O. CANUTO 25 JUL 2002		
TOLERANCES UNLESS OTHERWISE SPECIFIED:		APVD A. GENTA 25 JUL 2002	NAME AMP MCP 1.5/2.8 TAB HOUSING 20 POS. ASS'Y - UNSEALED	
0 PLC ±0.3	1 PLC ±0.2	PRODUCT SPEC 108-20243	SIZE A2	CAGE CODE -
2 PLC ±0.1	3 PLC ±	APPLICATION SPEC 411-20071	DRAWING NO C-284879	RESTRICTED TO -
4 PLC ±	ANGLES ±1°	WEIGHT -	SCALE 2:1	SHEET 3 OF 4
MATERIAL SEE TABLE	FINISH -	Customer Drawing	REV C	

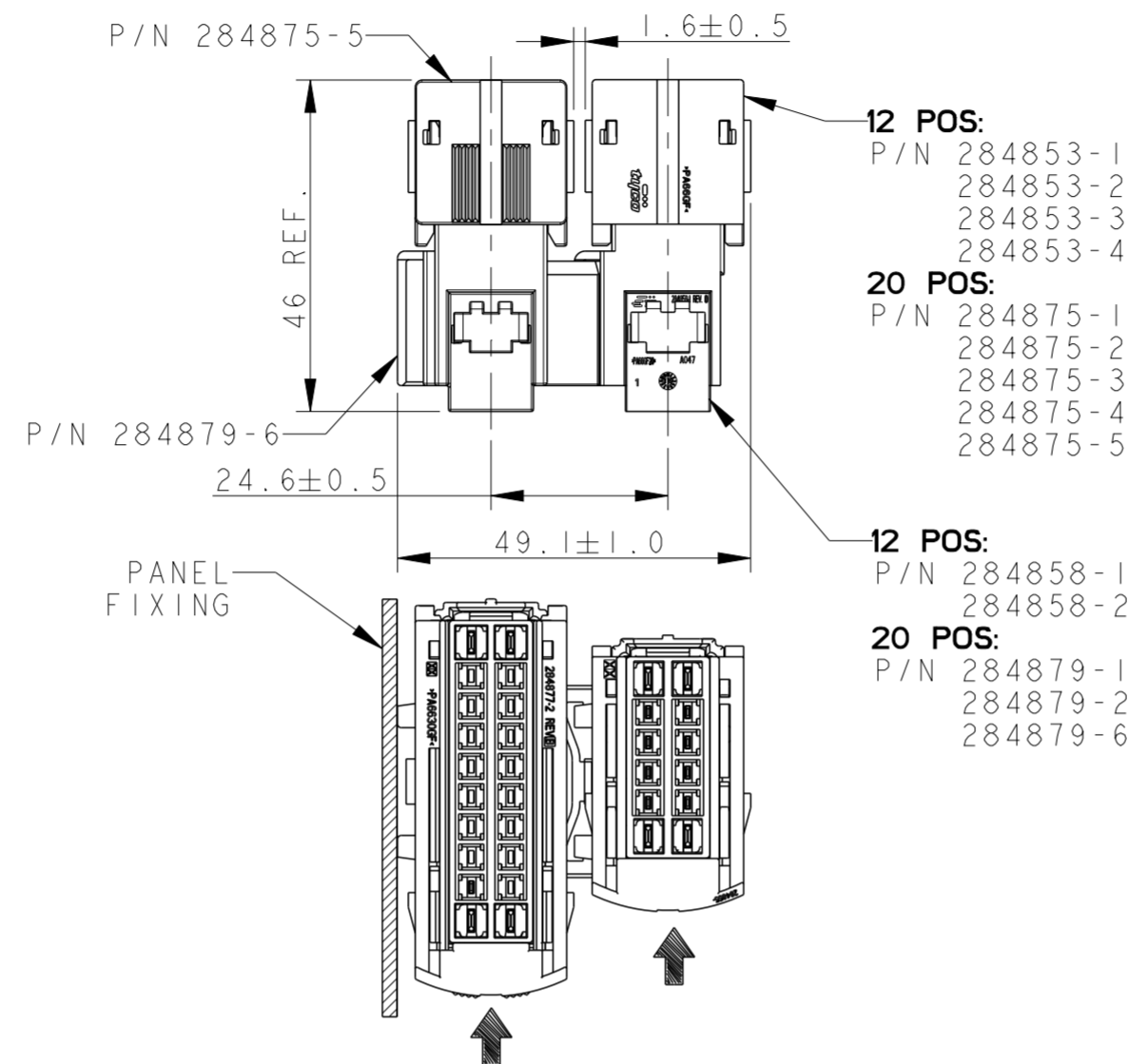
P	LTR	DESCRIPTION	DATE	DWN	APVD
-	-	SEE SHEET 1	-	-	-

P/N 284879-6



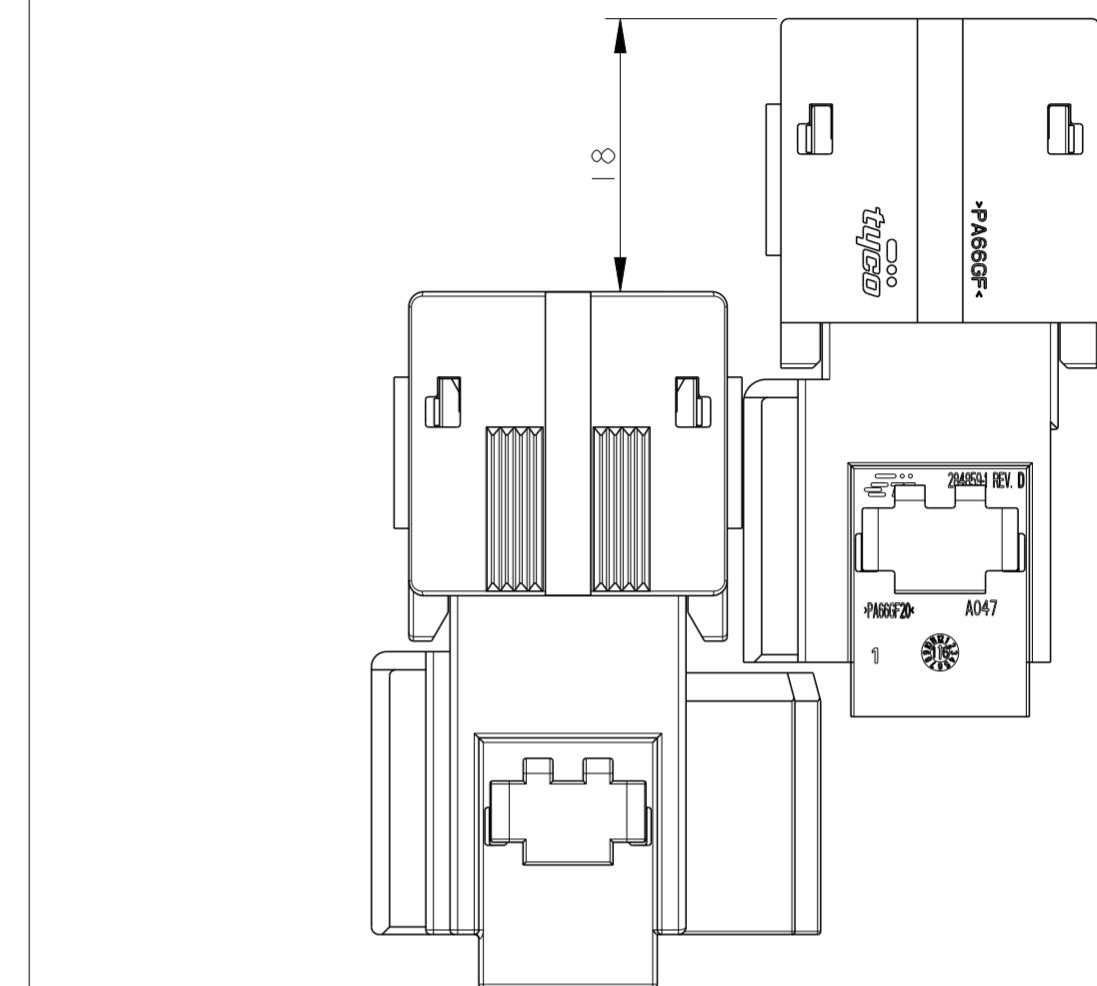
OVERALL DIMENSIONS (DIMENSIONI DI INGOMBRO)

PANEL FIXING CONFIGURATIONS WITH SAME SLIDE ACTUATING DIRECTION
(CONFIGURAZIONI PER FISSAGGIO A PANNELLO CON STESSA DIREZIONE DI CHIUSURA SLITTE)



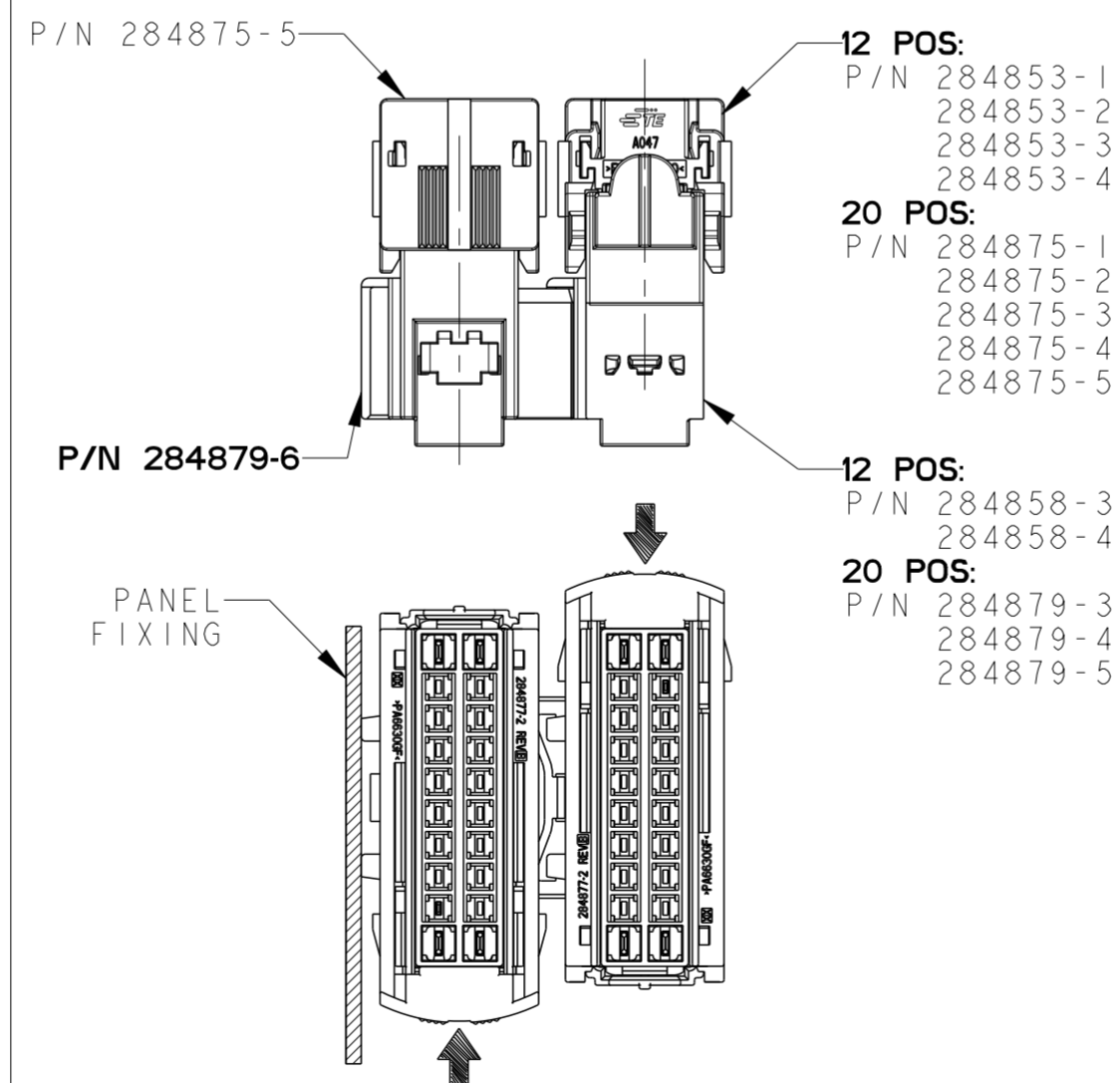
- 12 POS:
P/N 284853-1
284853-2
284853-3
284853-4
- 20 POS:
P/N 284875-1
284875-2
284875-3
284875-4
284875-5
- 12 POS:
P/N 284858-1
284858-2
- 20 POS:
P/N 284879-1
284879-2
284879-6

DIMENSIONI DI INGOMBRO IN FASE DI ACCOPPIAMENTO
VERSIONE MODULARE
(OVERALL DIMENSIONS DURING MATING PHASE MODULAR VERSION)

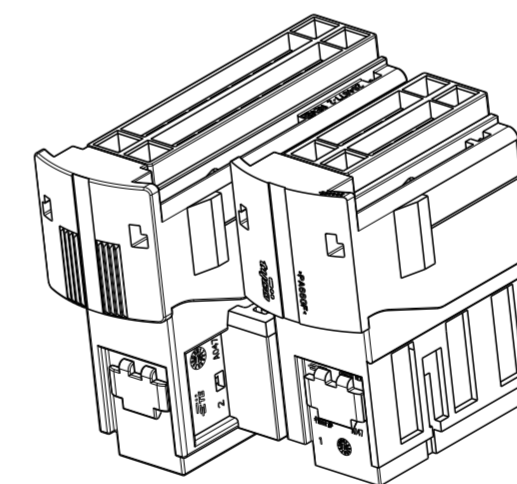


SCALE 2:1

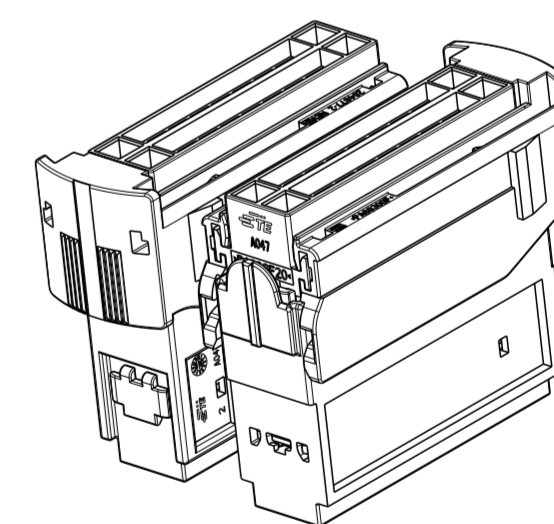
PANEL FIXING CONFIGURATIONS WITH OPPOSITE SLIDE ACTUATING DIRECTION
(CONFIGURAZIONI PER FISSAGGIO A PANNELLO CON DIREZIONE OPPOSTA DI CHIUSURA SLITTE)



- 12 POS:
P/N 284853-1
284853-2
284853-3
284853-4
- 20 POS:
P/N 284875-1
284875-2
284875-3
284875-4
284875-5
- 12 POS:
P/N 284858-3
284858-4
- 20 POS:
P/N 284879-3
284879-4
284879-5

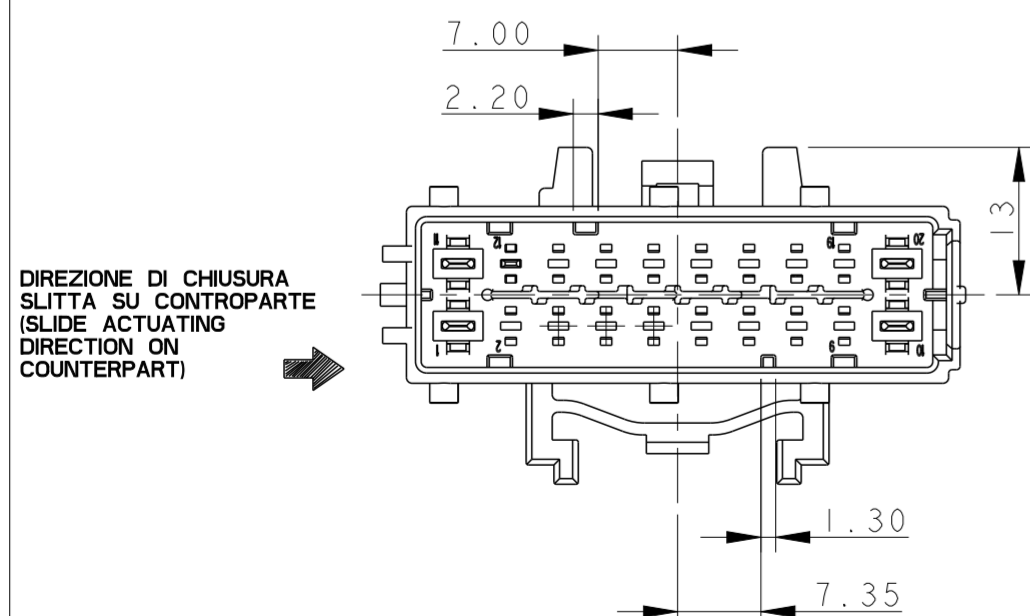


SCALE 1:1



SCALE 1:1

CODICE DI POLARIZZAZIONE (POLARIZATION CODING)



SCALE 3:2

P/N 284879-6 REV. C
BLOCCHETTO COLORE MARRONE
(HOUSING BROWN COLOUR)
CODICE C (CODING C)
CONTROPARTE ADATTA:
(SUITABLE COUNTERPART:
P/N 284875-5

THIS DRAWING IS A CONTROLLED DOCUMENT.		DWN M. POLIZZI	25 JUL 2002	TE Connectivity	
DIMENSIONS:		CHK O. CANUTO	25 JUL 2002		
mm		APVD A. GENIA	25 JUL 2002		
TOLERANCES UNLESS OTHERWISE SPECIFIED:		PRODUCT SPEC	108-20243		
0 PLC ±0.3		APPLICATION SPEC	411-20071	NAME	AMP MCP 1.5/2.8 TAB HOUSING 20 POS. ASS'Y - UNSEALED
1 PLC ±0.2		WEIGHT	-	SIZE	A2
2 PLC ±0.1		Customer Drawing	SCALE 2:1	CAGE CODE	-
3 PLC ±				DRAWING NO	C-284879
4 PLC ±				RESTRICTED TO	-
ANGLES ±1°				SCALE	2:1
FINISH				SHEET	4 OF 4
MATERIAL				REV	C
SEE TABLE					