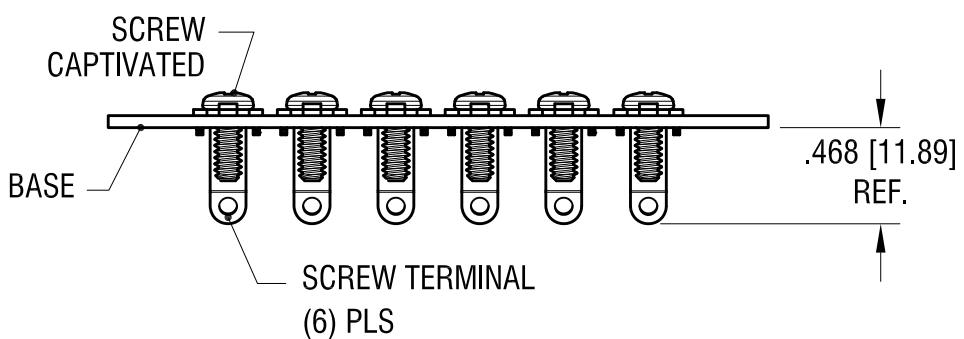
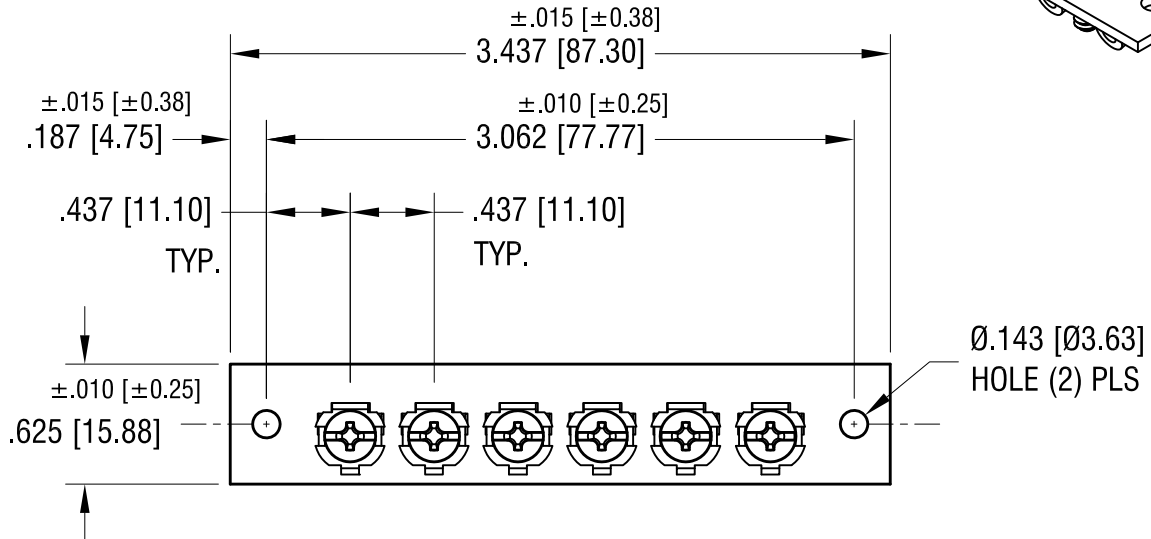
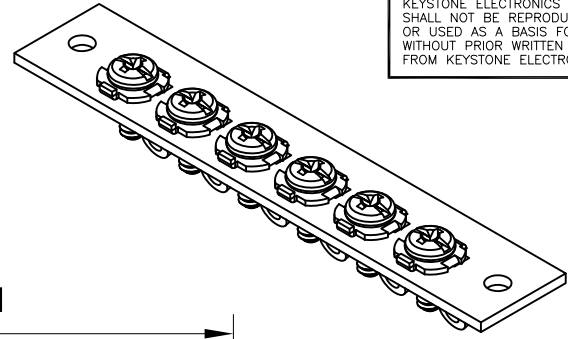


THIS DOCUMENT IS THE PROPERTY OF KEYSTONE ELECTRONICS CORP. AND SHALL NOT BE REPRODUCED, DISTRIBUTED OR USED AS A BASIS FOR MANUFACTURE WITHOUT PRIOR WRITTEN PERMISSION FROM KEYSTONE ELECTRONICS CORP.



NOTES:

1. BASE:
BASE: MAT'L .062 [1.57] TH'K G10 UL 94V-0
2. TERMINAL: P/N 1248
MAT'L: .032 [0.81] TH'K STEEL, TIN PLATE
SCREW: 6-32 THREAD
MAT'L: STEEL, NICKEL PLATE

4.20.23	BASE MAT'L WAS GPO-3 FIBERGLASS CHANGE AS PER ECN 23-060	A
DATE	DESCRIPTION	REV.

KEYSTONE ELECTRONICS CORP.			
www.keyelco.com • NEW HYDE PARK NY 11040 • Tel (516)328-7500			
PART NAME STANDARD BINDING POST STRIP			
MATERIAL AS NOTED			
FINISH AS NOTED		DRN BY BOONE	DATE 10.10.01
		APP'D RH	SCALE 1X
TOLERANCES	INCH [MM]	CODE	DWG NO.
DECIMAL	$\pm .005 [\pm 0.13]$	C	4172
ANGULAR	$\pm 1^\circ$		
UNLESS OTHERWISE SPECIFIED			