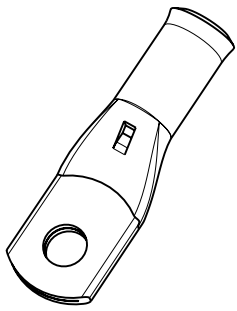
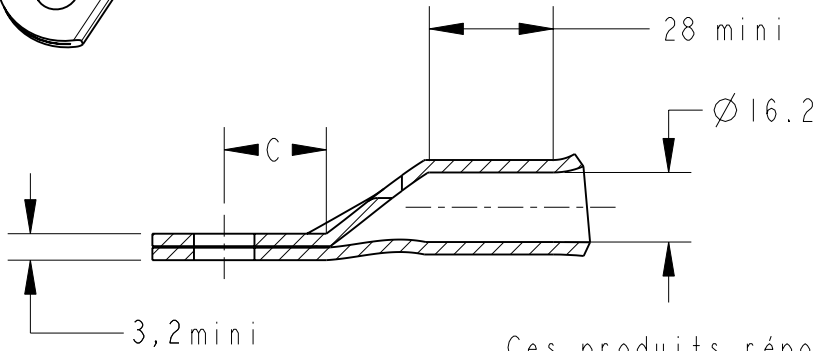


LOC	DIST	REVISIONS					
FH	00	P	LTR REV	DESCRIPTION MODIFICATIONS	DATE	DWN DESS.	APVD APP.
			D	MISE A JOURS / AJOUT NOTA	07DEC2009	BG	GP
			E	ECR-11-018538	07SEP2011	LP	NA



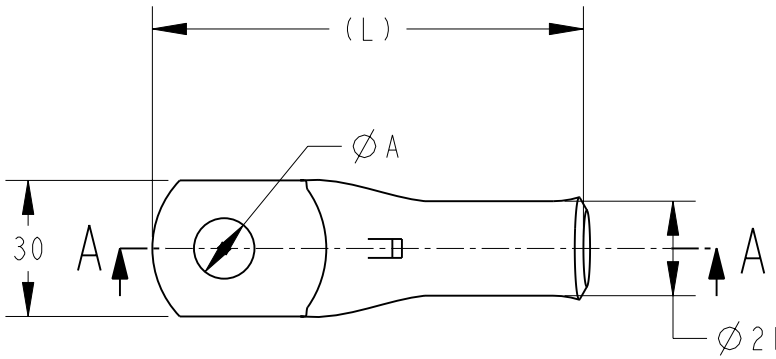
COUPE A-A



Inspection hole



Ces produits répondent à la norme NFC 20-130.
 These products are NFC 20-130 compliant.



(L)	C	ØA	DESCRIPTION	PART NUMBER
81,5	16,3	10,3	XCT 150-10	709821-2
81,5	16,3	12,8	XCT 150-12	709821-3
81,5	16,3	14,5	XCT 150-14	709821-4
81,5	16,3	16,5	XCT 150-16	709821-5

- 1 - MATERIAL = TINNED COPPER
- 2 - Marking in depth: logo-section-hole-Made in France +
- 3 - CABLE SECTION = 300 MCM or 150 mm²
- 4 - GROOVE E150Cu OR DIE (Punch 17PC240+ Die 17MI50)


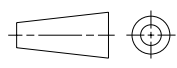
20

RELEASED FOR PUBLICATION
 LIBRE A LA DIFFUSION

ALL RIGHTS RESERVED.
 TOUS DROITS RESERVES.

THIS DRAWING IS UNPUBLISHED.
 DIFFUSION RESTREINTE

© COPYRIGHT 20

DIMENSIONS: mm		DWN/DESSINE D. LEROY	15DEC00	MATERIAL MATIERE	CUIVRE	TOLERANCES UNLESS OTHERWISE SPECIFIED TOLERANCES NON SPECIFIEES: -	FINISH FINITION	ETAME
TOLERANCES UNLESS OTHERWISE SPECIFIED: TOLERANCES NON SPECIFIEES (SUIV NB DE DECIMALES): 0 PLC/DEC: ±0 1 PLC/DEC: ±0 2 PLC/DEC: ±0 3 PLC/DEC: ±0 4 PLC/DEC: ±0 ANGLES ±-		CHK/VERIFIE E. DEREY	-	 TE Connectivity				
		APVD/APPROUVE N. ALMEIDA	-					
		PRODUCT SPEC SPEC. PRODUIT	-	NAME TITRE	XCT 150-..			
		APPLICATION SPEC SPEC. APPLICATION	-	SIZE FORMAT	CAGE CODE	DRAWING NO No PLAN	RESTRICTED TO RESERVE A	
		WEIGHT MASSE APPROX.	A4	00779	©=709821			
CUSTOMER DRAWING		/PLAN CLIENT		UNIQUEMENT POUR REFERENCE	SCALE ECHELLE - / -	SHEET FEUILLE	OF DE	REV E