

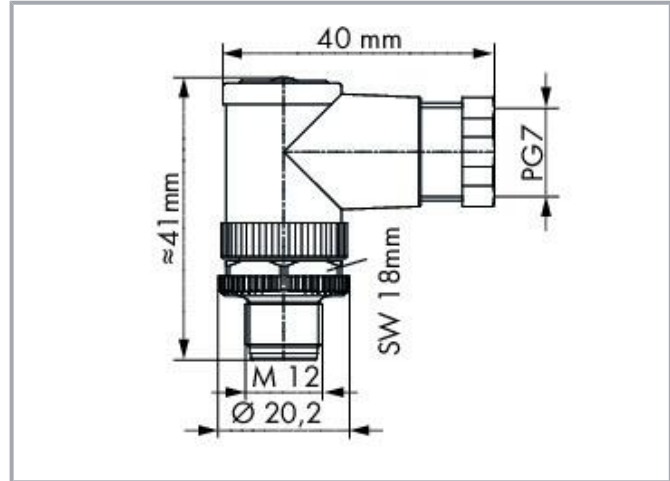
Data sheet | Item number: 756-9205/040-000

Fitted pluggable connector; 4-pole; M12 plug, right angle; Spring

www.wago.com/756-9205/040-000



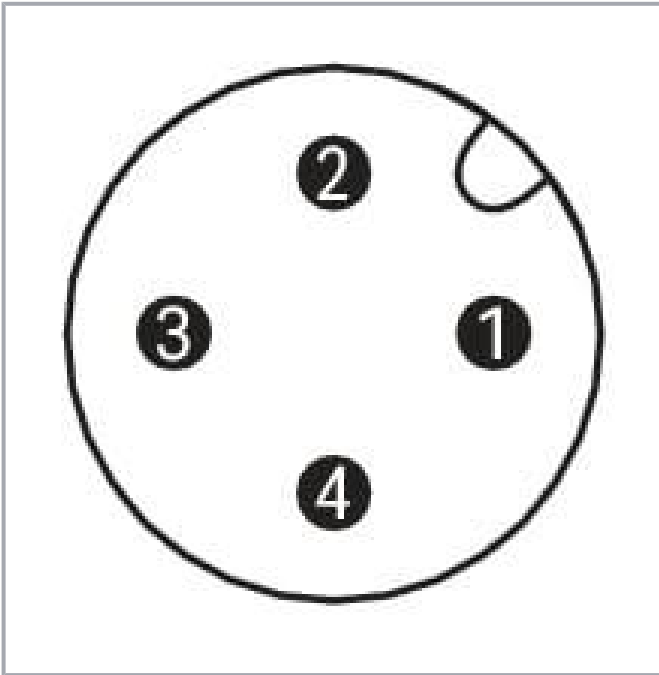
i Picture differs from the item.



Subject to changes. Please also observe the further product documentation!

WAGO GmbH & Co. KG
Hansastr. 27
32423 Minden
Phone: +49571 887-0 | Fax: +49571 887-169
Email: info.de@wago.com | Web: www.wago.com

Do you have any questions about our products?
We are always happy to take your call at +49 (571) 887-44222.



Data

Technical data

Connection type	M12 plug
Pole number	4
Cable connection direction to mating direction	90 °
Connector interface coding (cable/adapter) 1 1	A-coded
Contact resistance	≤3 mΩ

Connection data

Connection type 1	Spring clamp technology
Solid conductor	0.14 ... 0.5 mm ² / 20 AWG

Mechanical Data

Connectable sheathed cable diameter	4 ... 6 mm
Housing material	Polybutylene terephthalate (PBT)
Contact material	CuZn
Contact plating	Gold
Dichtungsmaterial	Seal: Neoprene
Mating cycles (max.)	100

Subject to changes. Please also observe the further product documentation!

WAGO GmbH & Co. KG
 Hansastr. 27
 32423 Minden
 Phone: +49571 887-0 | Fax: +49571 887-169
 Email: info.de@wago.com | Web: www.wago.com

Do you have any questions about our products?
 We are always happy to take your call at +49 (571) 887-44222.



Weight	18 g
--------	------

Environmental requirements

Ambient temperature (operation)	-25 ... +85 °C
Protection type	IP67
Note on protection type	in locked position
Pollution degree	3

Commercial data

eCl@ss 10.0	27-24-26-92
eCl@ss 9.0	27-24-26-92
ETIM 8.0	EC002584
ETIM 7.0	EC002584
PU (SPU)	5 pcs
Packaging type	box
Country of origin	DE
GTIN	4044918977456
Customs tariff number	85366990990

Environmental Product Compliance

CAS-No.	96-45-7
REACH Candidate List Substance	Ethylene thiourea
RoHS Compliance Status	Compliant, No Exemption
SCIP notification number (Austria)	32fb31ab-fbb4-46ce-9e3e-1d27ff242b02
SCIP notification number (Belgium)	1aece05c-4212-4795-b5ae-57e8e18a2d7d
SCIP notification number (Bulgaria)	a6930a51-1fce-446b-9050-9ba7d965e96e
SCIP notification number (Czech Republic)	981210fb-6abe-4db1-8158-1e2a38c3323b
SCIP notification number (Denmark)	b460719d-c5ec-4d5e-b378-711e24e012ff
SCIP notification number (Finland)	95f6fc4d-2165-436e-8d01-93637165e598
SCIP notification number (France)	15008f56-eb30-4a0e-b9cd-670171a28668
SCIP notification number (Germany)	c1124f52-97ee-4cae-9e0e-beb6964b2648
SCIP notification number (Hungary)	d6fbc63-806e-4b0b-9a1c-0663c3ee80af
SCIP notification number (Italy)	6b189405-1113-458a-9b93-a4076f6d37c5
SCIP notification number (Netherlands)	6b77785c-85a1-4221-9bc7-fb790a4008ea
SCIP notification number (Poland)	828ecbe6-dd61-424c-bb40-bf7c8cf0f021
SCIP notification number (Romania)	0f8cbbd0-808c-4c83-80b3-ac099fbb415b
SCIP notification number (Sweden)	2106d429-523b-4717-a922-11a0e7616dee

Subject to changes. Please also observe the further product documentation!

WAGO GmbH & Co. KG
Hansastr. 27
32423 Minden
Phone: +49571 887-0 | Fax: +49571 887-169
Email: info.de@wago.com | Web: www.wago.com

Do you have any questions about our products?
We are always happy to take your call at +49 (571) 887-44222.



Downloads

Documentation

Bid Text

756-9205/040-000 X81 - Datei	2019 Feb 19	xml 2.8 kB	Download
---------------------------------	-------------	---------------	----------

756-9205/040-000 doc - Datei	2017 Sep 20	doc 24.6 kB	Download
---------------------------------	-------------	----------------	----------

System Description

IP67 Cables and Pluggable Connectors		pdf 161.6 kB	Download
--------------------------------------	--	-----------------	----------

CAD/CAE-Data

CAE data

WSCAD Universe 756-9205/040-000		URL	Download
---------------------------------	--	-----	----------

WSCAD Universe 756-9205/040-000		URL	Download
---------------------------------	--	-----	----------

Environmental Product Compliance

Compliance Search

Environmental Product Compliance 756-9205/040-000 Fitted pluggable connector; 4-pole; M12 plug, right angle; Spring		URL	Download
--	--	-----	----------

Installation Notes

Subject to changes. Please also observe the further product documentation!