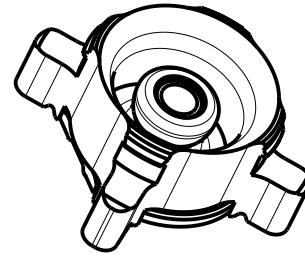
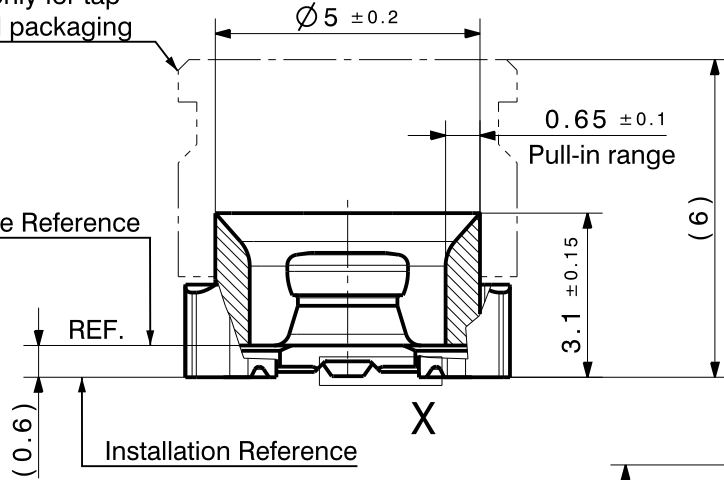


Diese Zeichnung ist unser geistiges Eigentum und darf ohne unsere Einwilligung weder kopiert, vervielfältigt noch Dritten oder Konkurrenzfirmen zugänglich gemacht werden. ( Art. 12 B.G. )  
 This drawing is copyright. Information contained thereon is supplied in confidence and must not be used for any other purpose than which it was supplied, or be reproduced without written permission of the owners.

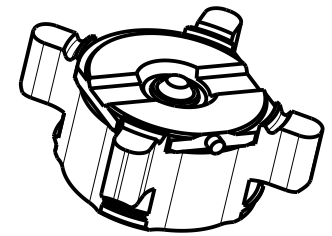
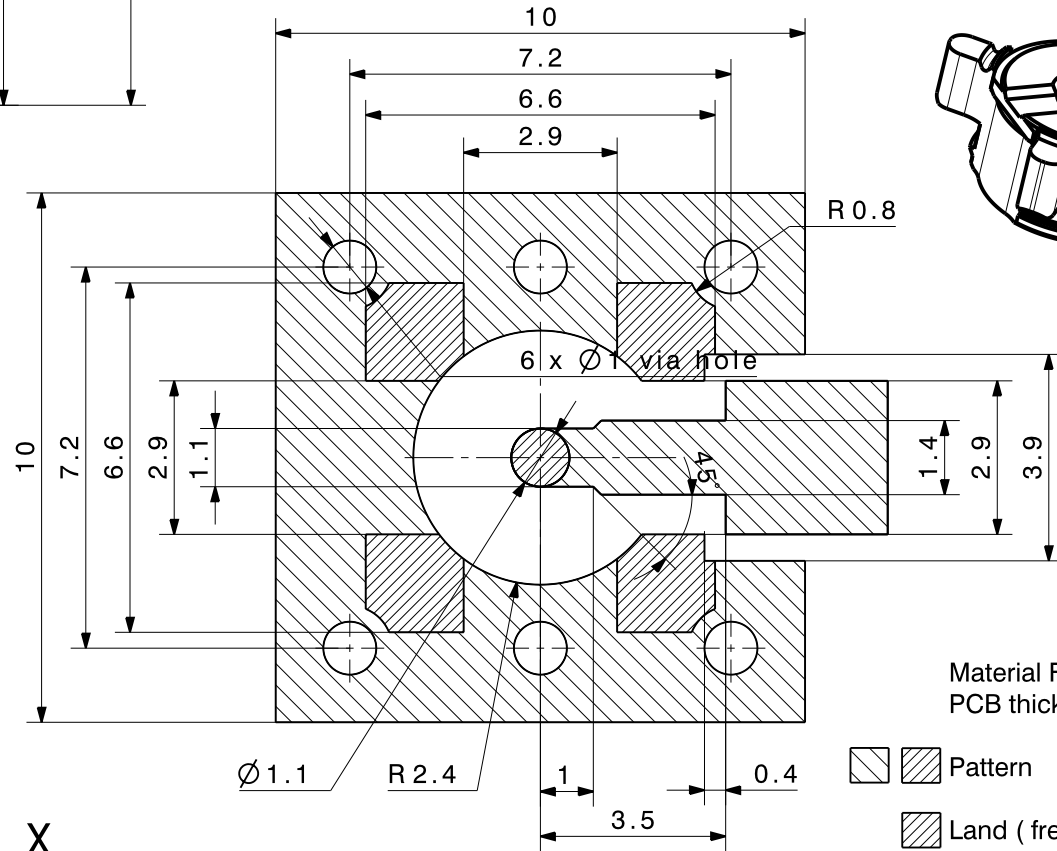
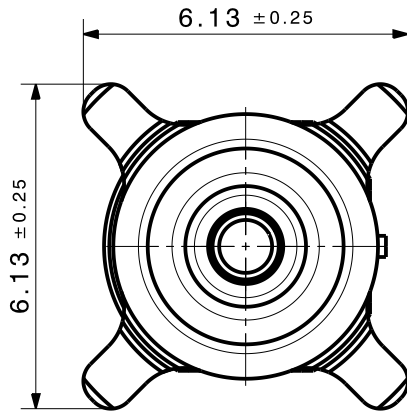
Cap is only for tap and reel packaging

Interface Reference



MMBX application instructions are available at [www.hubersuhner.com](http://www.hubersuhner.com) or from your local HUBER+SUHNER sales representative

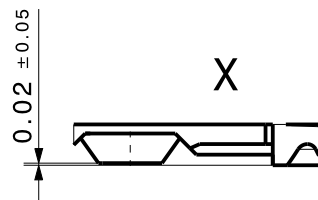
PCB Layout



Material FR 4 ( $\epsilon_r = 4.7$ )  
PCB thickness 1.6 mm

Pattern  
 Land ( free of solder mask )

Blistergurtverpackung  
tape and reel packaging



type / Typ: 82_MMBX-S50-0-15			
dimensions in millimeter [mm]	part no. / Teile Nr.: PRO-00015512	D sheet/Blatt XX / XX	
description / Beschreibung PCB jack		drawing-no. / Zeichnungsnr. DOU-00015512	Release E