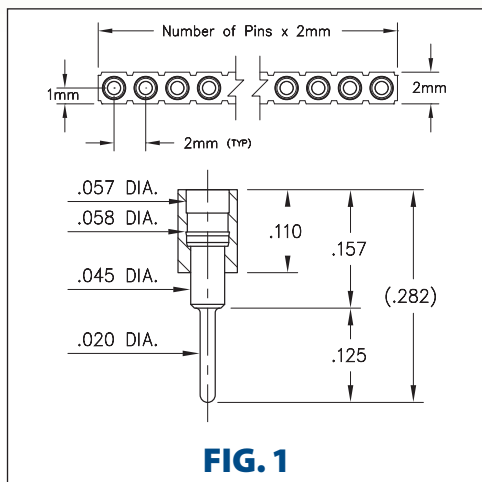
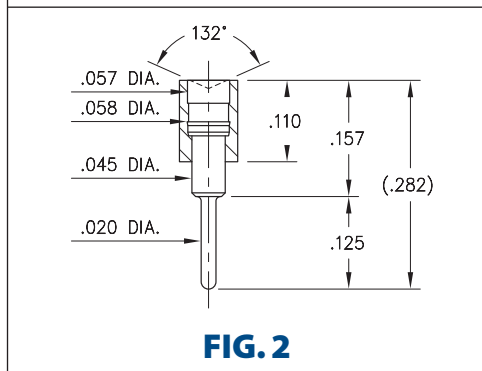


# SPRING-LOADED CONNECTORS

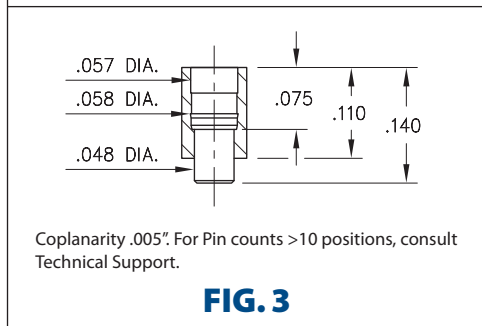
## SERIES 830 • 2mm GRID FLAT & CONCAVE FACE TARGET CONNECTORS FOR SPRING-LOADED ASSEMBLIES • SINGLE ROW STRIPS



**FIG. 1**

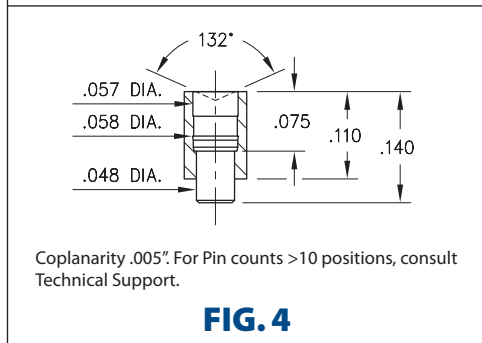


**FIG. 2**



**FIG. 3**

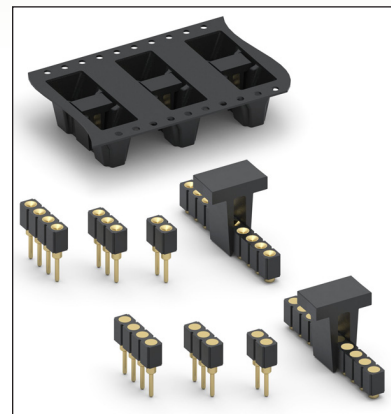
Coplanarity .005". For Pin counts >10 positions, consult Technical Support.





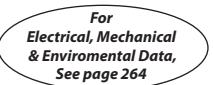


**FIG. 4**

Coplanarity .005". For Pin counts >10 positions, consult Technical Support.

- Series 830 2mm Spring Target Connectors, supplied in single row strips
- Target connectors provide an excellent gold-plated conductive path back to the board-mounted spring pin connector. Available in both through-hole and SMT terminations with the choice of either flat or concave face contact surfaces. Concave face targets provide additional surface area for mating with our standard .032" diameter plungers
- Target connectors use MM #1949, #1950, #1951, and #1952 pins. See page 223.1 for details
- Insulators are high temperature thermoplastic



### ORDERING INFORMATION

<b>FIG. 1</b>	<b>Series 830...003</b> <b>Flat face / Solder Tails</b>
	830-10-0__-10-003000 Specify number of pins      01-20
<b>FIG. 2</b>	<b>Series 830...004</b> <b>Concave face / Solder Tails</b>
	830-10-0__-10-004000 Specify number of pins      01-20
<b>FIG. 3</b>	<b>Series 830...30-003</b> <b>Flat face / Surface Mount</b>
	830-10-0__-30-003XXX Specify number or pins      02-10 Tube packaged = 000 Tape & reel packaged = 191 400 parts per 13" reel
<b>FIG. 4</b>	<b>Series 830...30-004</b> <b>Concave face / Surface Mount</b>
	830-10-0__-30-004XXX Specify number or pins      02-10 Tube packaged = 000 Tape & reel packaged = 191 400 parts per 13" reel
  	
<b>SPECIFY PLATING CODE XX=</b>	10 
Pin Plating 	10 μ" Au