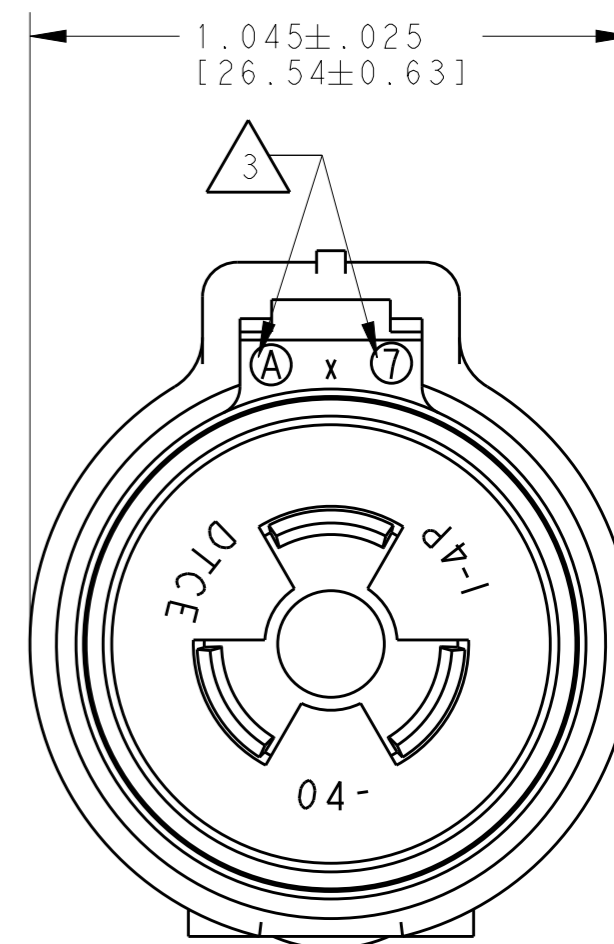
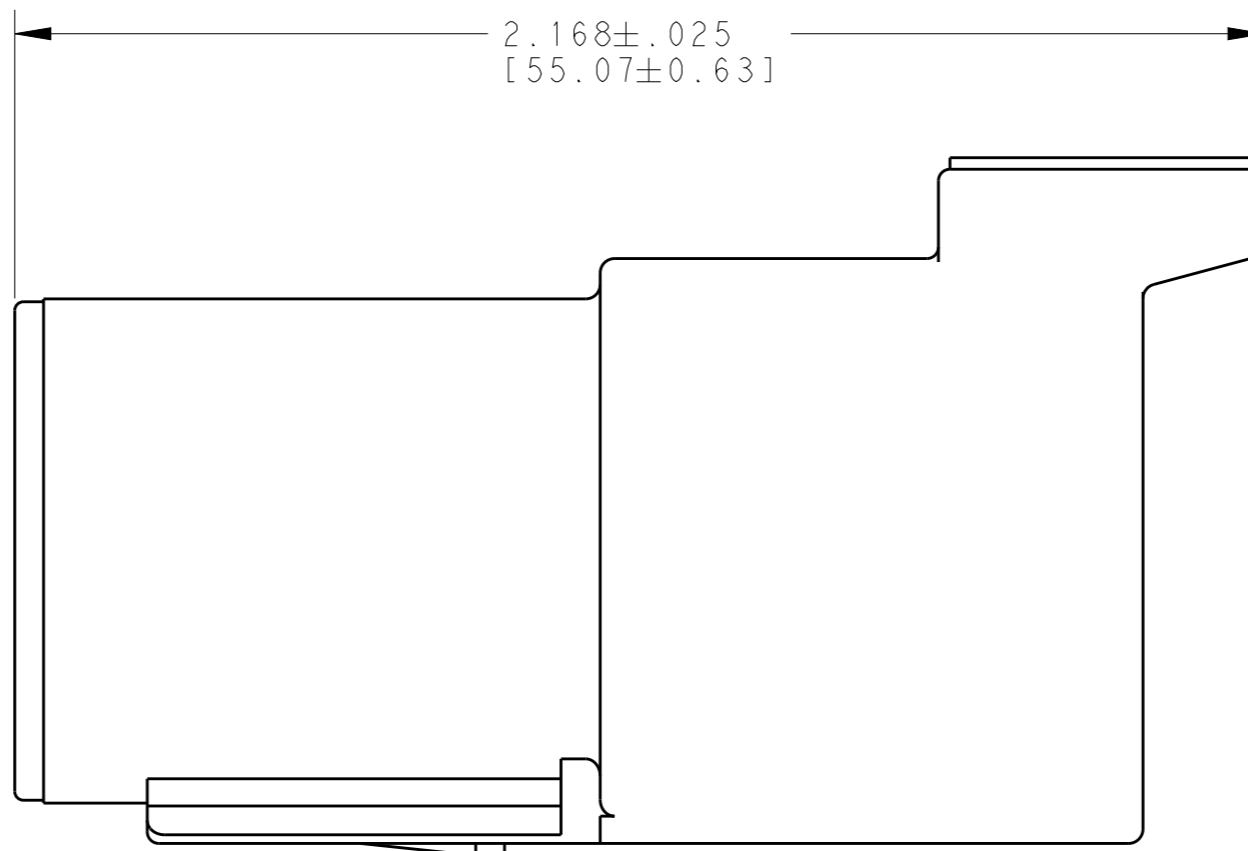
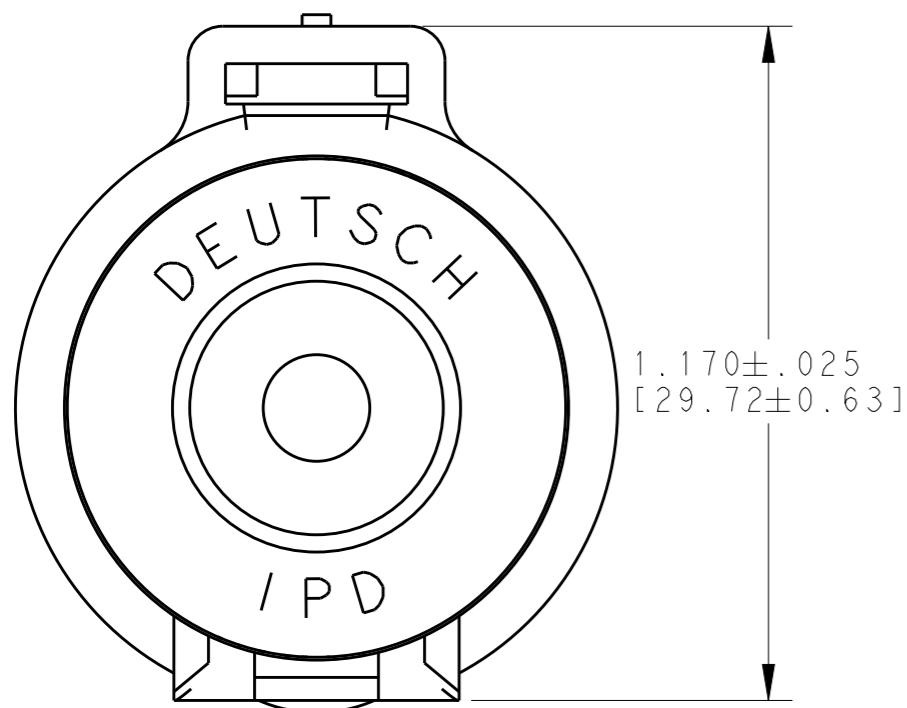
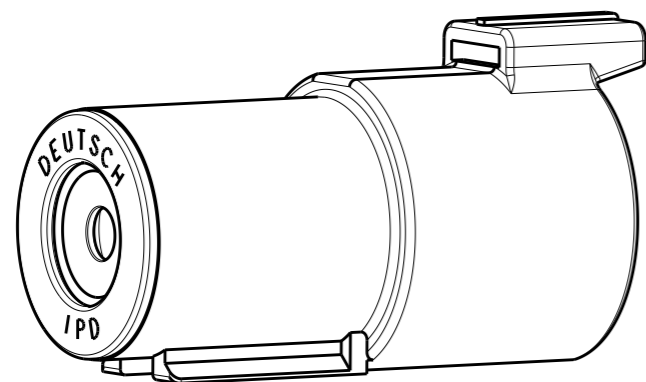


THIS DRAWING IS UNPUBLISHED
RELEASED FOR PUBLICATION 2018
COPYRIGHT 2018 BY - TE CONNECTIVITY ALL RIGHTS RESERVED.

REVISIONS					
P	LTR	DESCRIPTION	DATE	DWN	APVD
	C1	REVISED PER PCN E-18-015123	01OCT2018	SS	DM



4 MATERIAL: RECEPTACLE: PEI (BLACK); WELD RING: PEI (BLACK); WELD CAP: PEI (BLACK); INTERFACE SEAL: VMQ (RED-ORANGE)

3 DATE CODE: MONTH IS REPRESENTED BY SEQUENTIAL ALPHA CHARACTERS. EX: A = JANUARY. YEAR IS REPRESENTED BY LAST NUMERIC DIGIT. EX: 7 = 2007.

2. THIS RECEPTACLE MATES WITH DTCE06-1-4S-XXXX PLUG (XXXX = ALL MODIFICATIONS).

1. FOR CONTACT INFORMATION, SEE CUSTOMER DRAWING 4025-001-0000.

NOTES:

TE INTERNAL PN	DEUTSCH PN
5-1899768-1	DTCE04-1-4P-E003

CONTACT SIZE	MIN. INSUL O.D.	MAX. INSUL O.D.	WIRE RANGE [mm ²] REF ONLY
4	.261 [6.63]	.420 [10.67]	4 AWG [21.0]

THIS DRAWING IS A CONTROLLED DOCUMENT.		DWN J. HAYNES 15MAR1999	TE TE Connectivity	
DIMENSIONS: INCHES [mm]		CHK D. MEYER 06AUG1999		
TOLERANCES UNLESS OTHERWISE SPECIFIED:		APVD R. REED 09AUG1999	NAME RECEPTACLE POWER DT SIZE 4 CE CONTACTS-E003 MOD COLOR: BLACK	
0 PLC ±-		PRODUCT SPEC -	SIZE A3	
1 PLC ±-		APPLICATION SPEC -	CAGE CODE 4AFU8	
2 PLC ±-		WEIGHT 15.5 g	DRAWING NO DTCE04-1-4P-E003	
3 PLC ±.025 [0.64]		CUSTOMER DRAWING	RESTRICTED TO	
4 PLC ±-		SCALE 3:1	SHEET 1 OF 1	
ANGLES ±0°30'0"		REV C1		
FINISH -				
MATERIAL 4				