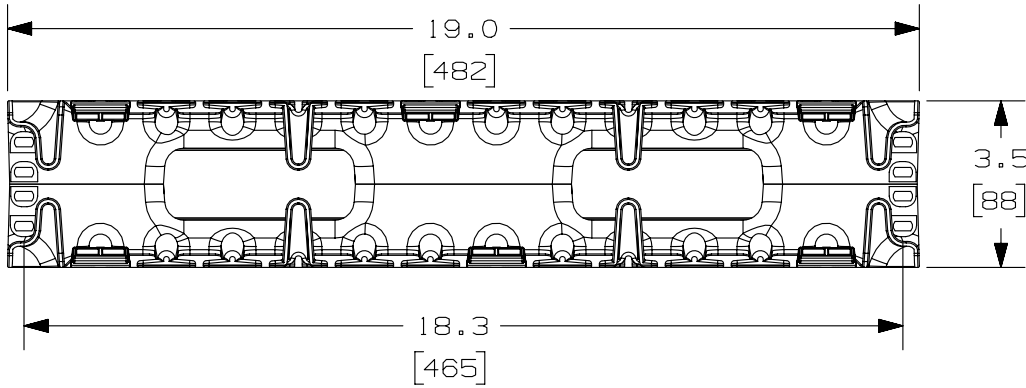


THIS COPY IS PROVIDED ON A RESTRICTED BASIS AND IS NOT TO BE USED IN ANY WAY DETRIMENTAL TO THE INTERESTS OF PANDUIT CORP.

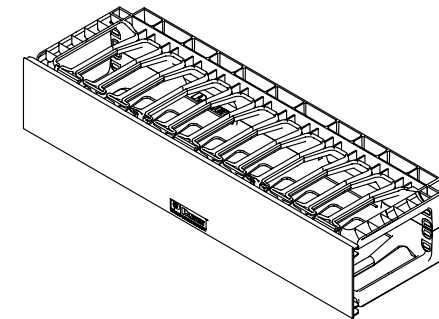
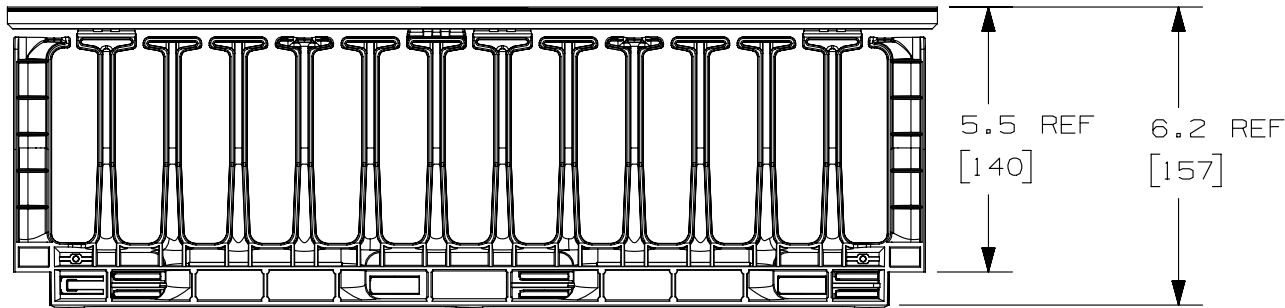



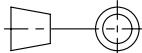
PANDUIT P/N	WEIGHT
NMF2 NMF2WH	1.6 LBS/EACH 730 g/EACH



NOTES:

- VISIT OUR ON-LINE CATALOG AT WWW.PANDUIT.COM FOR A CURRENT LIST OF PRODUCTS APPLICABLE FOR USE WITH THIS PART.
- COMPONENTS:
1- 2RU MANAGER (FRONT ONLY)
1- 2RU 19" COVER
- DIMENSIONS IN PARENTHESIS ARE METRIC.



TITLE		NMF2 CABLE MANAGER	
		CUSTOMER DRAWING	
ITEM REVISION NAME		V10404AF/02	
DATASET FILE NAME		V10404AF_DC/02A	
UNLESS OTHERWISE SPECIFIED, DIMENSIONAL TOLERANCES ARE: IN (mm)		 MATERIAL: MANAGER: ABS 2RU COVER: PVC	
DRAWING NUMBER:		V10404AF-DC	
REV	DATE	BY	CHK
02A	10/28/14	FGR	BAME
01B	7/2/13	FGR	BAME
DESCRIPTION		ECN	
A. ADDED P/N NMF2WH		V09000AS	
TITLE BLOCK UPDATED		V10404AF-DC	
THIRD ANGLE PROJECTION			
DRAWN BY	DATE	CHK	SCALE
BAME	3/6/07	TCK	
SHT 1 OF 1		SIZE	
		A	

D10100DA/16