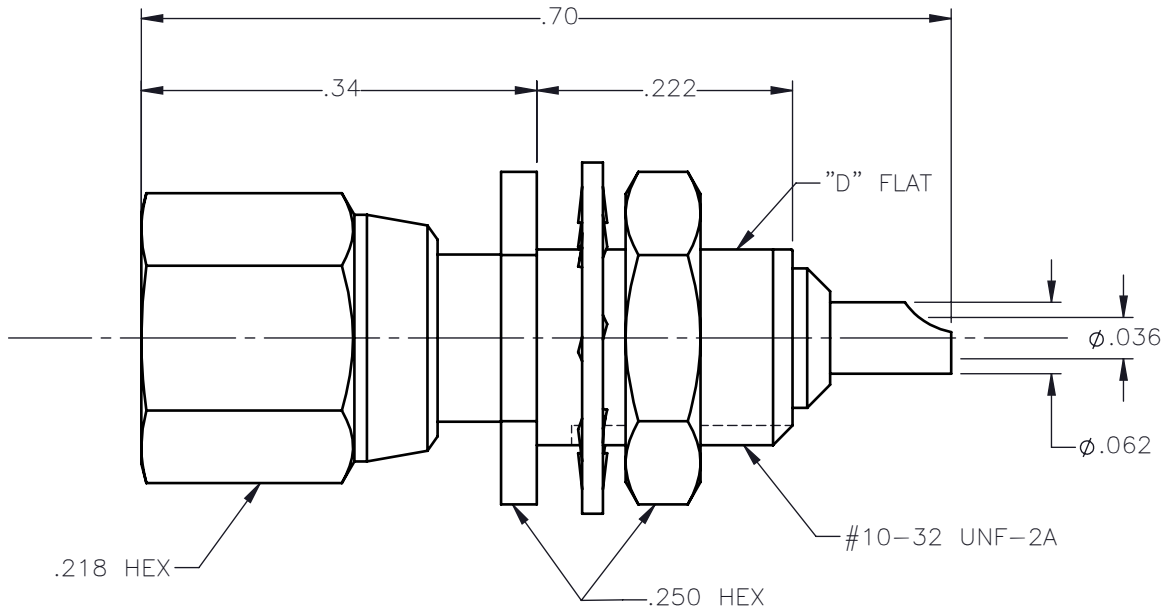


REVISIONS			
REV.	DESCRIPTION	DATE	APPROVED
A	INITIAL RELEASE	09/18/15	N.D.






NOTES:

MATERIALS:

1. INSULATOR = VIRGIN WHITE TEFLON PER ASTM D1710, GRADE 1, TYPE I, CLASS "B".
2. CONTACT = BERYLLIUM COPPER PER ASTM B196, ALLOY C17300, TEMPER TD04.
3. LOCKWASHER = PHOSPHOR BRONZE PER ASTM B139, COPPER ALLOY C53400, TEMPER H04.
4. ALL OTHER METAL PARTS = BRASS PER ASTM B16, ALLOY C36000, TEMPER H02.

FINISHES:

1. CONTACT = GOLD PLATE PER ASTM B488-01, TYPE II, 50µin MIN, GRADE C, OVER 100 TO 200µin STRESS FREE SULFAMATE NICKEL PER AMS-QQ-N-290.
2. ALL OTHER METAL PARTS = GOLD PLATE PER ASTM B488-01, TYPE II, 30µin MIN, GRADE C OVER 100 TO 200µin COPPER STRIKE PER AMS 2418.

UNLESS OTHERWISE SPECIFIED DIMENSIONS ARE IN INCHES TOLERANCES ON	DWN:	DATE	 Property of Radiall This document cannot be reproduced or communicated to a third party without prior written permission of RADIALL.				
	N.D.	09/18/15					
DECIMAL	ANGLE	CHKD:	DATE	SMC STRAIGHT FEMALE BULKHEAD PLUG FRONT MOUNT RECEPTACLE			
		D.N.	09/18/15				
		APVD:	DATE				
		J.M.	09/18/15	SIZE	FSCM NO.	DWG NO.	REV
REFERENCE:	MATERIALS:	SEE NOTES	A	19505	1017-1511-000	A	
ORIGINATED: N.D. DATE: 09/18/15			SCALE	6:1	THIRD ANGLE PROJECTION		SHEET 1 OF 1

1017-1511-000