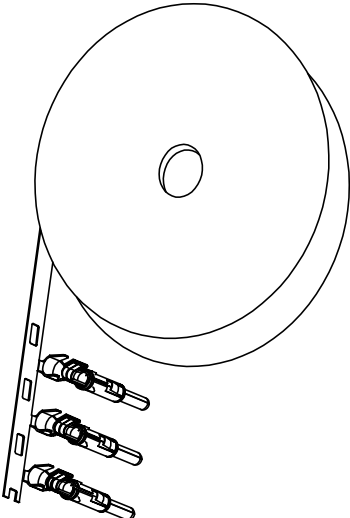
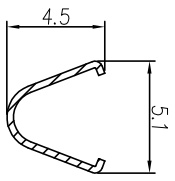


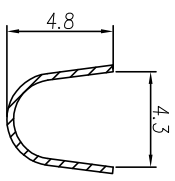
REVISIONS				
REV	ECO	DESCRIPTION	DATE	BY
A1	-	RELEASED DRAWING	Sept-7-2016	Ben Tommy
A2	-	Updating Drawing	Oct-16-17	Tommy



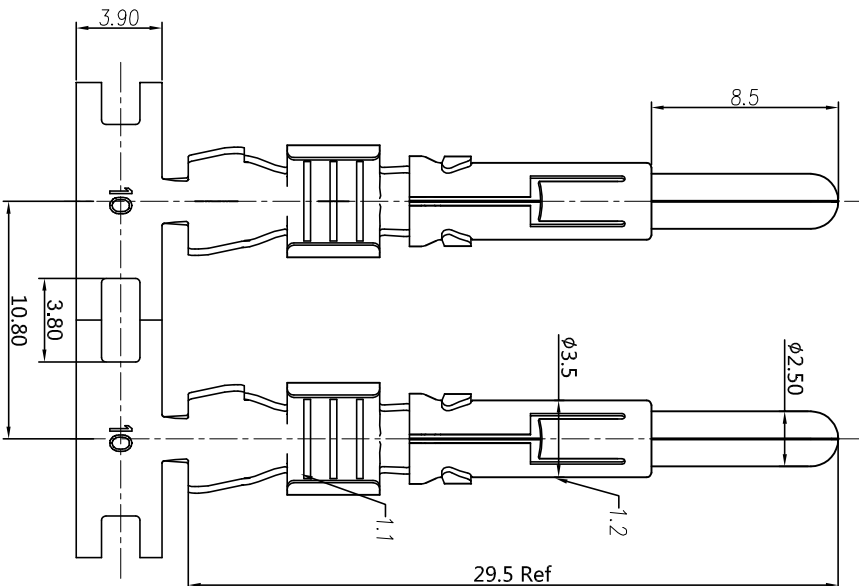
CONTACT ORIENTATION ON ROLL



SECTION C-C



SECTION D-D



- NOTES : (UNLESS OTHERWISE SPECIFIED)
- MATERIAL :
 - CONTACT BODY : COPPER ALLOY.
 - OUTER SPRING : STAINLESS STEEL.
 - SPECIFICATIONS :
 - CURRENT RATING : 23A MAX.
 - TERMINATION TYPE : CRIMPING.
 - WIRE RANGE : 4.0mm².
 - WIRE INSULATION DIA(MAX) : 4.3mm.
 - ROHS COMPLIANT.
 - ALL DIMENSIONS ARE FOR REFERENCE USE ONLY.

P/N	CONTACT PLATING(MATING AREA)
SP12A1T-10	TIN PLATING OVER NICKEL.
SP12A1F-10	GOLD FLASH PLATING OVER NICKEL.
SP12A1G10-10	10µ" GOLD PLATING OVER NICKEL.
SP12A1G15-10	15µ" GOLD PLATING OVER NICKEL.
SP12A1G30-10	30µ" GOLD PLATING OVER NICKEL.

QUANTITY	PART NUMBER	DESCRIPTION	ITEM
		MATERIALS LIST	
<p>UNLESS OTHERWISE SPECIFIED 1) All dimensions are in millimeters. 2) Tolerances are as follows: 1 Pl. DEC 40.30 Fractions 1/100 3 Pl. DEC 40.08 Angles 1° 3) Note reference = </p>			
<p>SIGNATURES DATE</p> <p>DRAWN: Ben 00T-16-17 CHECKED: Tod 00T-16-17 ENGINEER: Tommy 00T-16-17 APPROVAL: Tommy 00T-16-17</p>		<p>CUSTOMER: Amphenol Site Systems - www.amphenol-site.com 44724 Morley Drive Clinton Township, MI 48036</p>	
<p>PROCESS SPECIFICATIONS:</p>		<p>TEST SPECIMENS SPECIFICATIONS: SPECIFICATIONS AND PERFORMANCE DATA THE MANUFACTURER'S LABELS. ALL OF REPRODUCTION ARE LITERS. ALL MANUFACTURING VARIATIONS</p>	
<p>MATERIAL SPECIFICATIONS:</p>		<p>ECO-MATE PIN CONTACT, STAMPED, 4.0mm², 2.5mm CONTACT</p>	
<p>SCALE: NONE</p>		<p>SIZE TYPE DWG NO. REVISION</p> <p>B C- SP12A1XX-10 A2</p>	
<p>NEXT ASSY:</p>		<p>SHEET 1 OF 1</p>	

TTITLE: ECO-MATE PIN CONTACT, STAMPED, 4.0mm², 2.5mm

DWG NO: SP12A1XX-10

REV: A2

SH: 1

OF: 1