



ON Semiconductor®

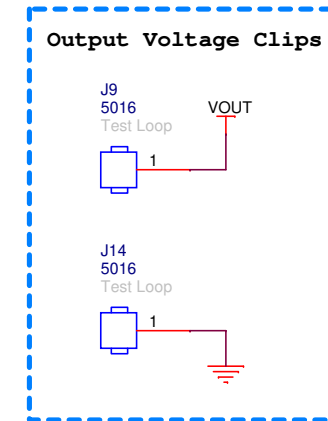
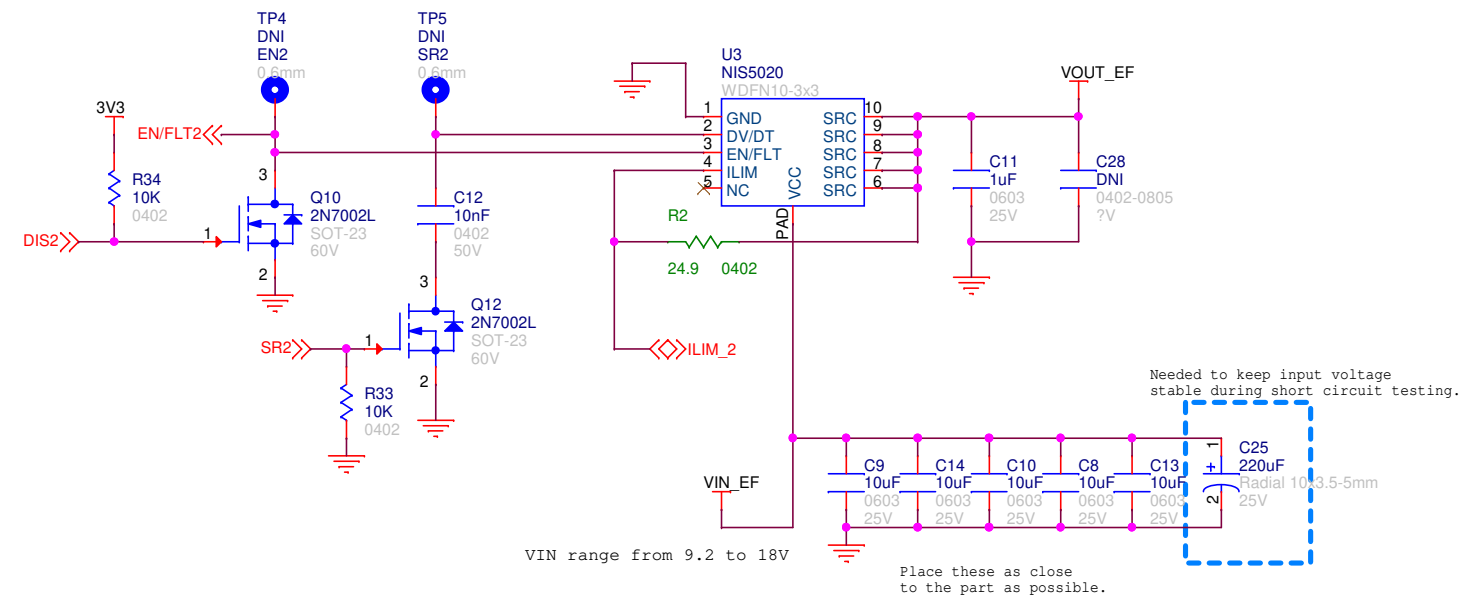
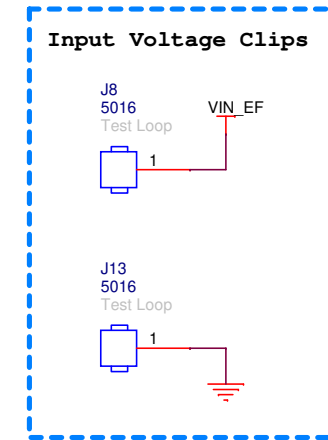
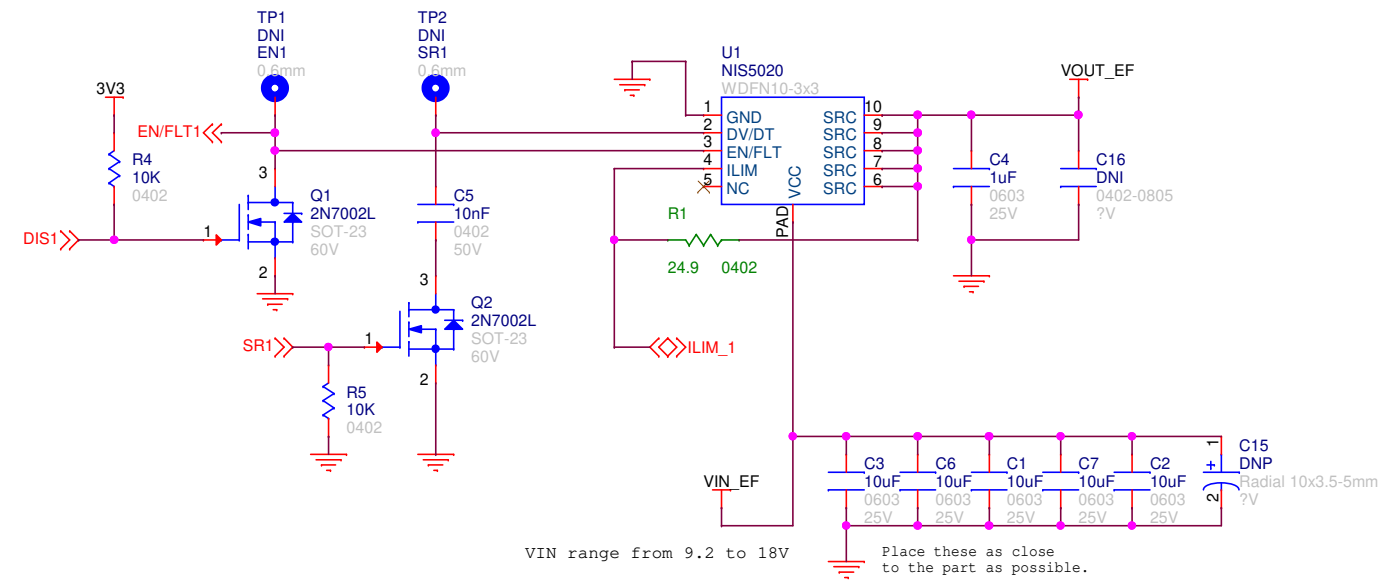
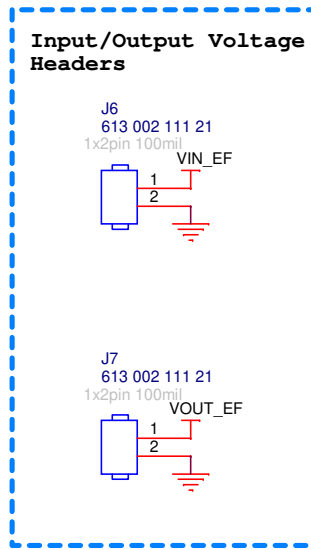
Strata Enabled eFuse

- Description
- Optional for Customer Design
- For Strata Connection Only. Not Required.

| | | |
|-------------------------------|---------------------------------|--------------|
| ON Semiconductor | | |
| Title Strata Enabled eFuse | | |
| Size Custom | Document Number ONSEC-19-007 | Rev REV1 |
| Date: | Tuesday, August 27, 2019 | Sheet 1 of 5 |

eFuse Schematic

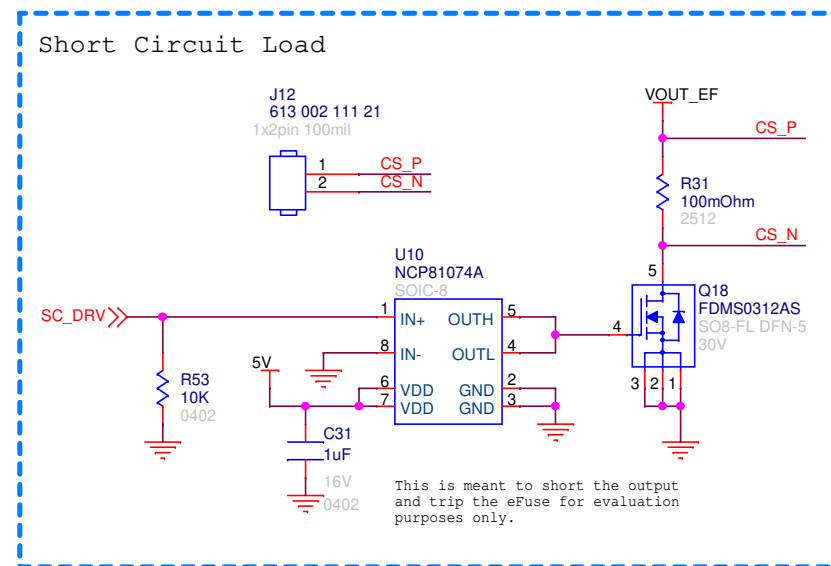
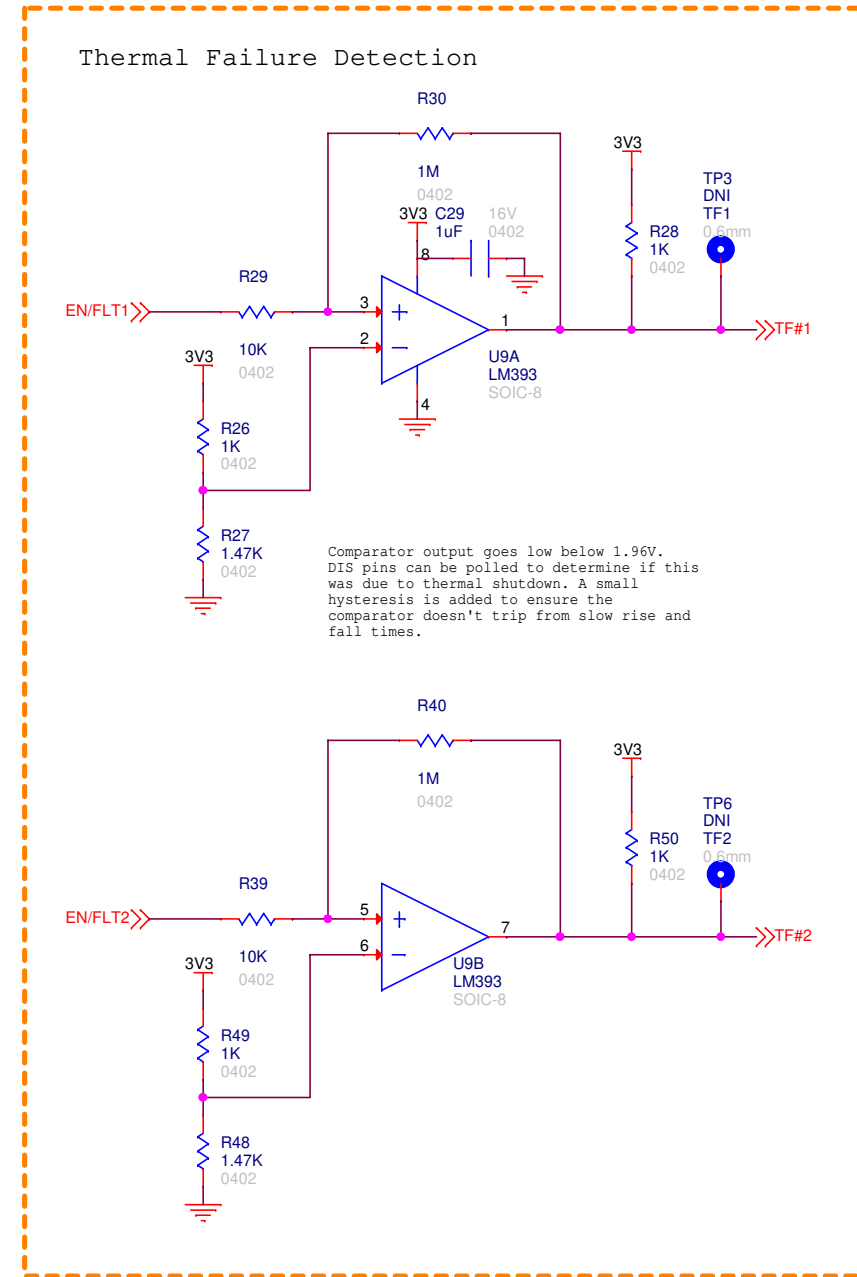
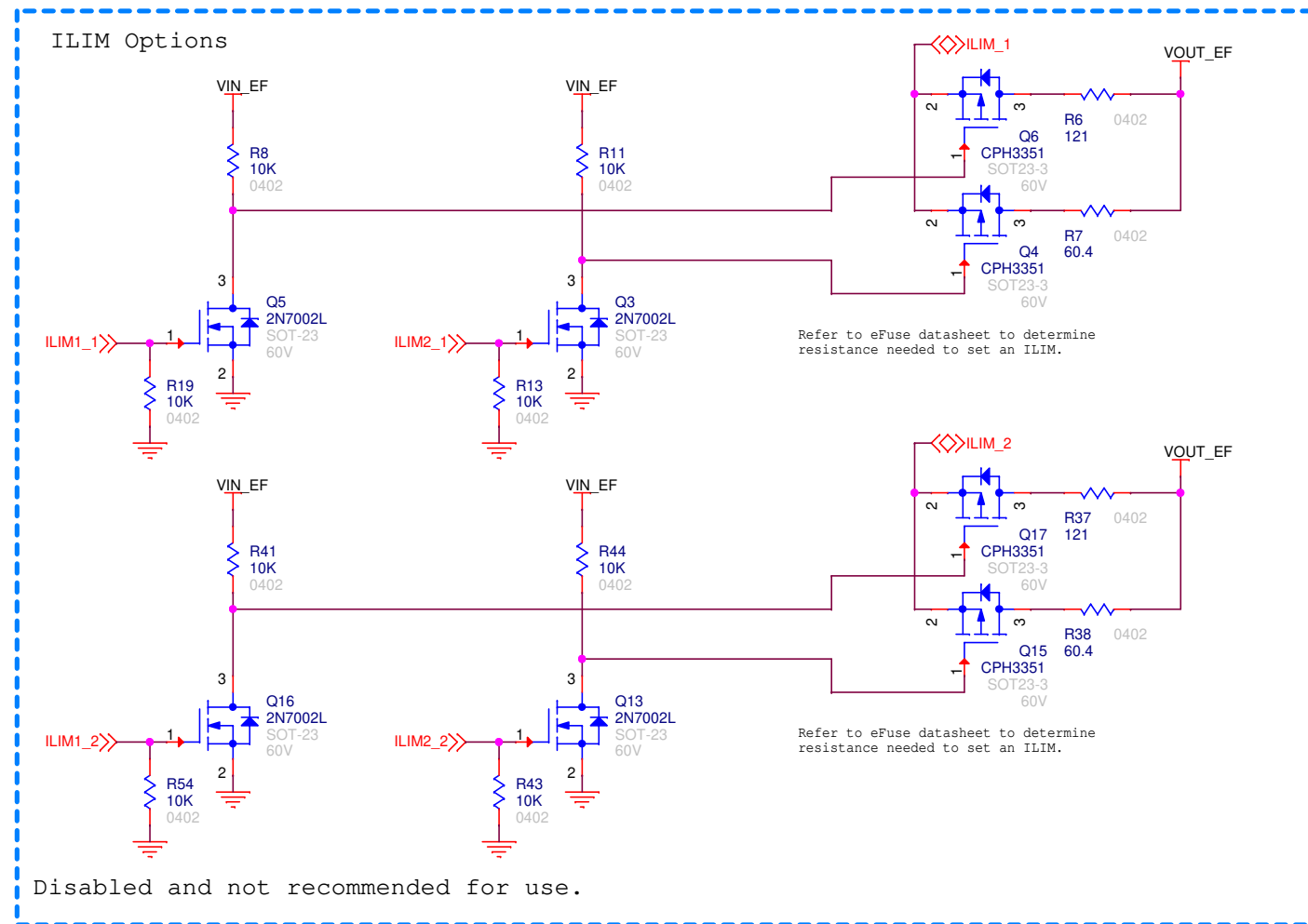
Supported eFuses:
NIS5020, NIS5820, NIS5232, NIS5132



ON Semiconductor

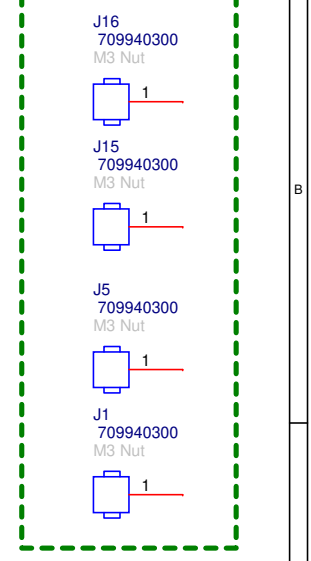
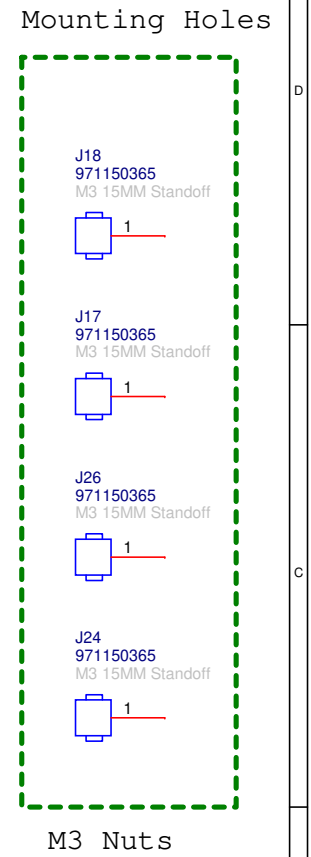
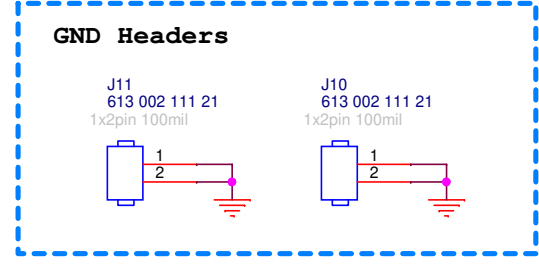
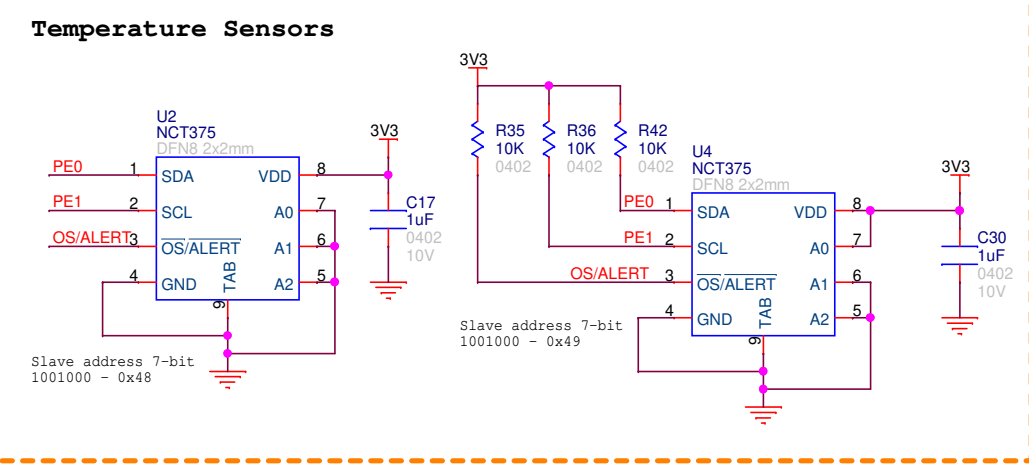
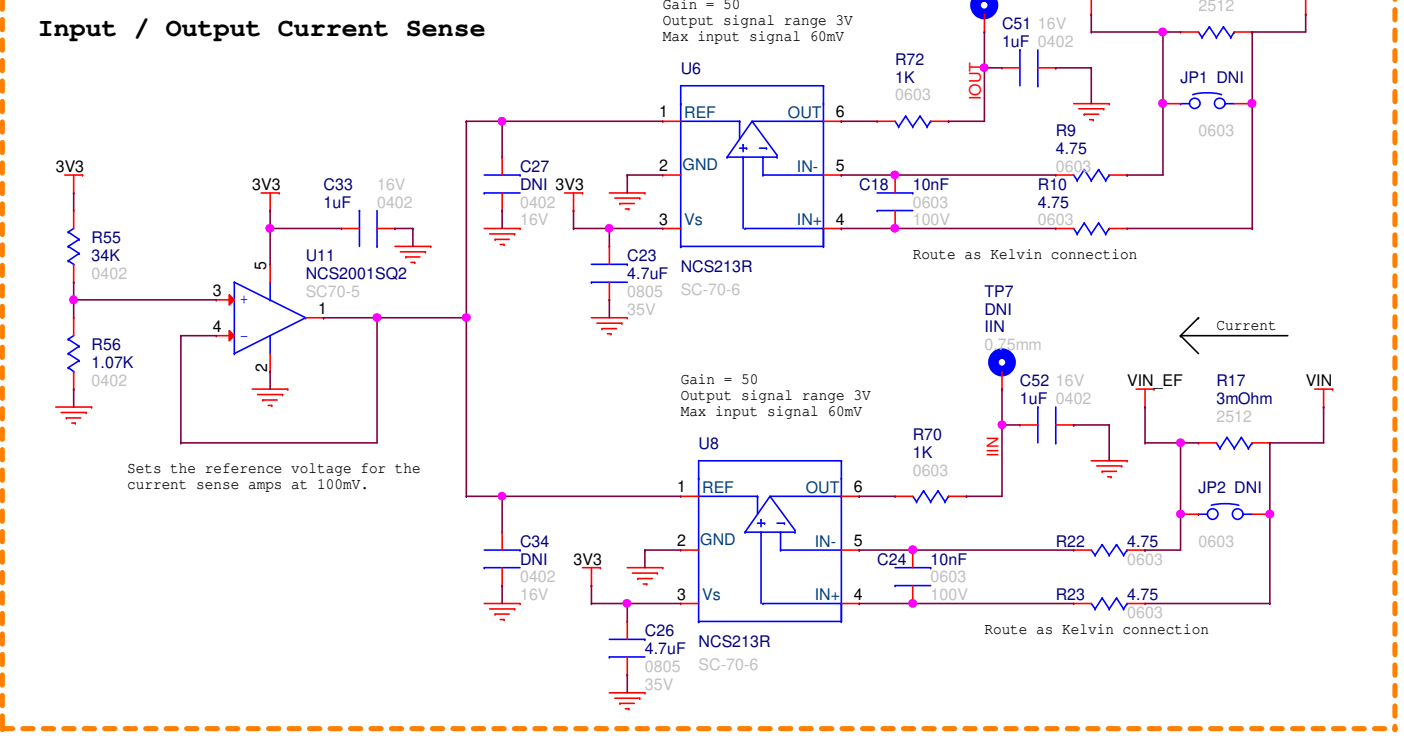
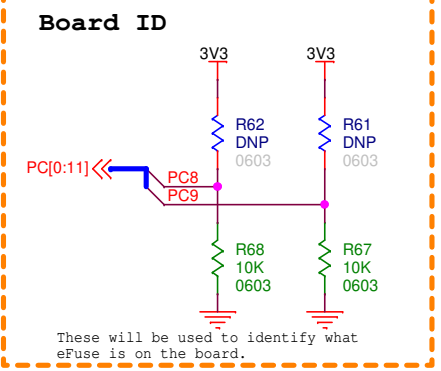
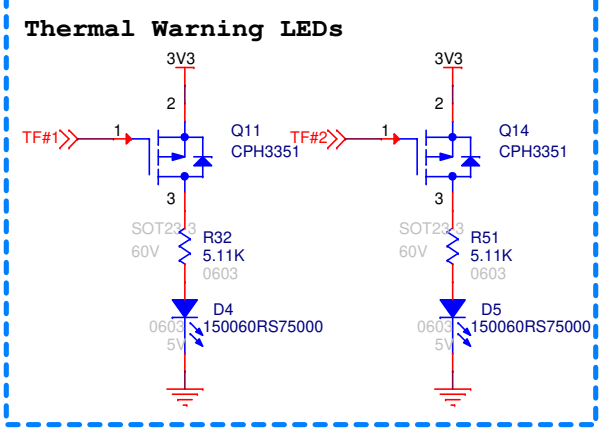
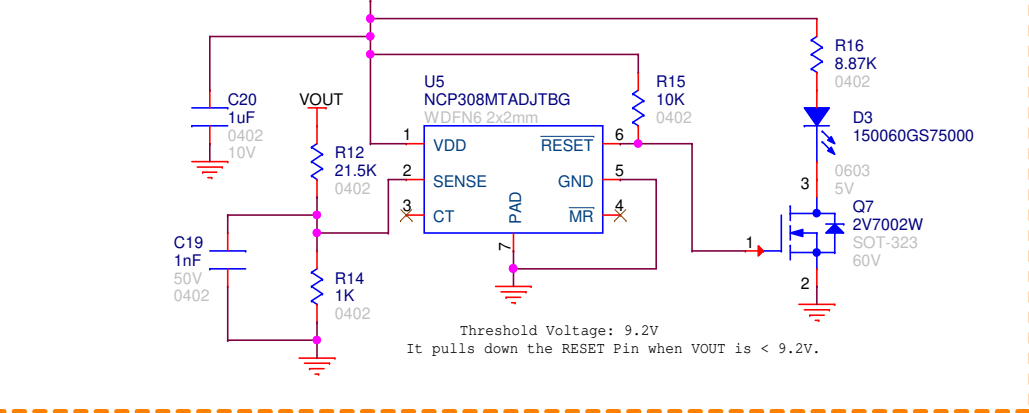
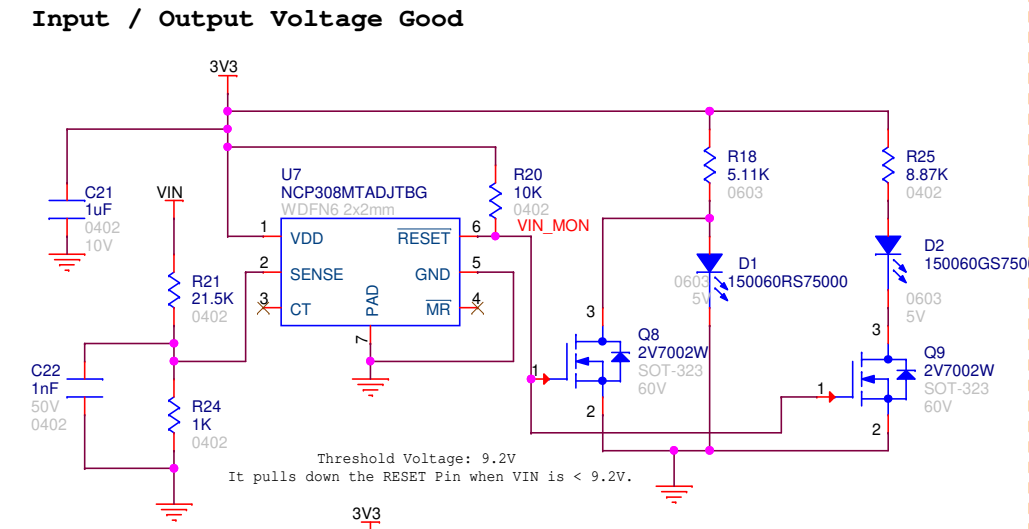
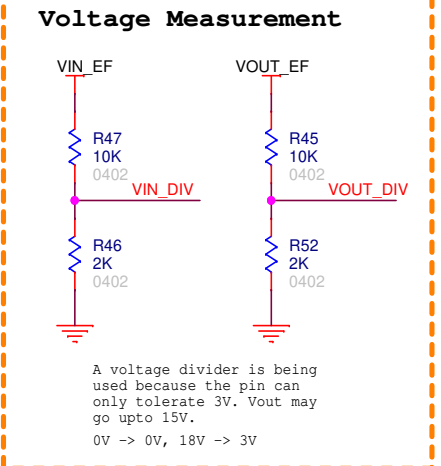
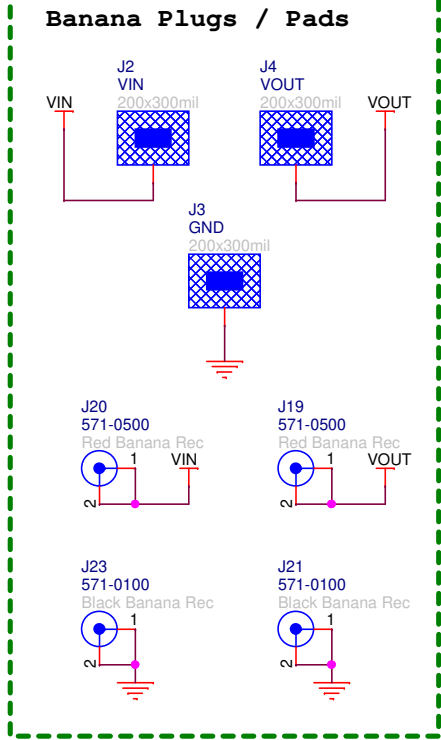
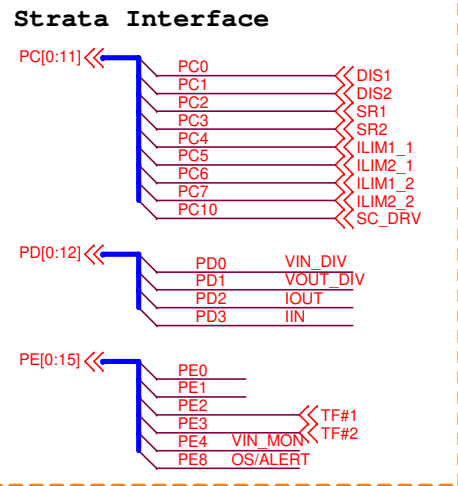
| | | |
|--------------------------------------|---------------------------------|-------------|
| Title Strata Enabled eFuse | | |
| Size Custom | Document Number ONSEC-19-007 | Rev REV1 |
| Date: Thursday, November 14, 2019 | Sheet 2 | of 5 |

Load/Thermal Interrupt



| | | |
|-------------------------------------|---------------------------------|-------------|
| ON Semiconductor | | |
| Title Strata Enabled eFuse | | |
| Size Custom | Document Number ONSEC-19-007 | Rev REV1 |
| Date: Tuesday, November 12, 2019 | Sheet 3 | of 5 |

Strata Telemetry / Connectors



| ON Semiconductor | | |
|---------------------------------------|---------------------------------|-------------|
| Title Strata Enabled eFuse | | |
| Size Custom | Document Number ONSEC-19-007 | Rev REV1 |
| Date: Thursday, September 19, 2019 | Sheet 4 of 5 | |

