

**NEWNEX PROPRIETARY**

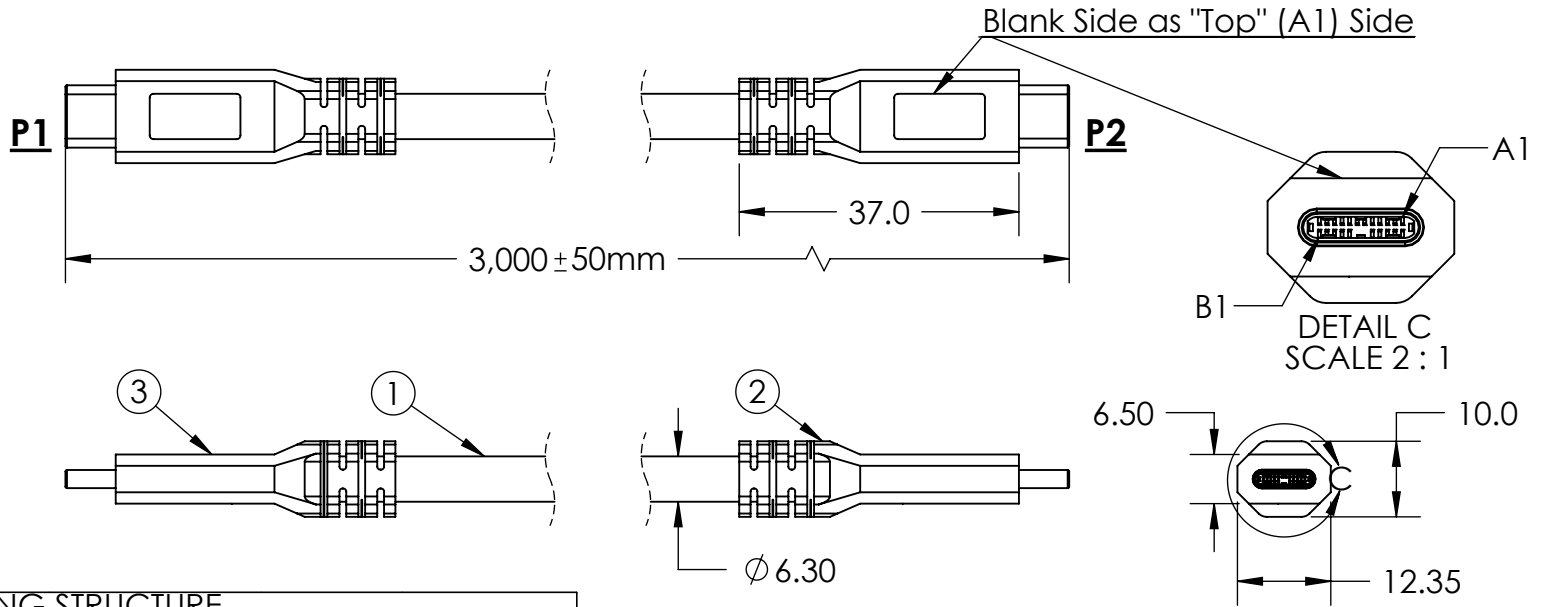
THIS DOCUMENT AND THE DATA DISCLOSED HEREIN OR WITHIN IS NOT TO BE REPRODUCED, USED, OR DISCLOSED IN WHOLE OR PART TO ANYONE WITHOUT THE WRITTEN PERMISSION OF NEWNEX

**COMPANY NAME**

**CUSTOMER SIGNATURE**

**DATE**

**COMMENTS:**



**WIRING STRUCTURE**

USB Type-C Plug #1		WIRE		USB Type-C Plug #2	
PIN	SIGNAL	Wire Number	SIGNAL	PIN	SIGNAL
A1, B1, A12, B12	GND	1	GND_PWRrt	A1, B1, A12, B12	GND
A4, B4, A9, B9	VBUS	2	PWR_Vbus	A4, B4, A9, B9	VBUS
A5	CC	3	CC	A5	CC
B5	VCONN	16	PWR_Vconn	B5	VCONN
A6	Dp1	4	UTP_Dp	A6	Dp1
A7	Dn1	5	UTP_Dn	A7	Dn1
A2	SSTXp1	6	SDPp1	B11	SSRXp1
A3	SSTXn1	7	SDPn1	B10	SSRXn1
B11	SSRXp1	8	SDPp2	A2	SSTXp1
B10	SSRXn1	9	SDPn2	A3	SSTXn1
B2	SSTXp2	10	SDPp3	A11	SSRXp2
B3	SSTXn2	11	SDPn3	A10	SSRXn2
A11	SSRXp2	12	SDPp4	B2	SSTXp2
A10	SSRXn2	13	SDPn4	B3	SSTXn2
A8	SBU1	14	SBU_A	B8	SBU2
B8	SBU2	15	SBU_B	A8	SBU1
SHELL	Shield	Braid	Shield	SHELL	Shield

**Notes:**

1. Cable: USB 3.1 Type C Full Feature Cable, O.D:6.30mm, Black PVC Jacket.
2. Connector: USB 3.1 Type C Male With e-Marker
3. Connector: USB 3.1 Type C Male Without e-Marker
4. Packaging: 1 Piece + PE bag.
5. 5A P.D.

Newnex Technology Corp.



UNLESS OTHERWISE SPECIFIED DIMENSIONS ARE IN MILLIMETERS TOLERANCES ARE:

FRACTIONS DECIMALS ANGLES  
 ± NA X± 0.2 XX± 0.10 XXX± 0.050 ± 0.5°

PROJ	TITLE
SCALE: 1:1	REV: A
DATE: 9/10/2021	DRAWN BY: XW
	CHECKED BY:

TITLE:	USB 3.1 Gen 2 C Male to C Male with E-Marker, Full Feature Cable, 3M, Black.
DRAWN BY:	XW
APPROVED BY:	HX
CHECKED BY:	

PART NUMBER: U4SLC01C01E030

SHEET 1 OF 1

\*100% OPEN, SHORT, MISWIRE TESTING

\*RoHS compliant product

REVISION COMMENTS: Drawing generated