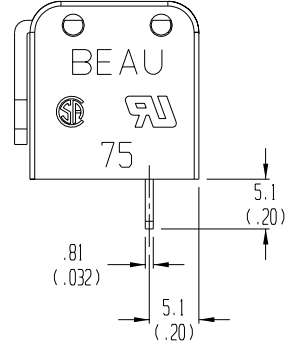
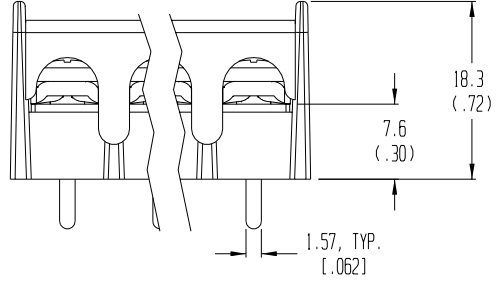
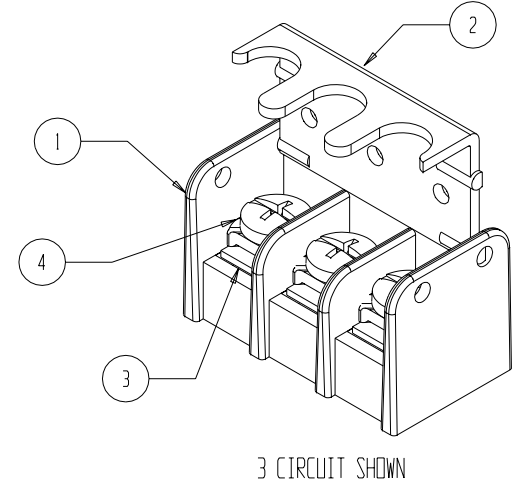
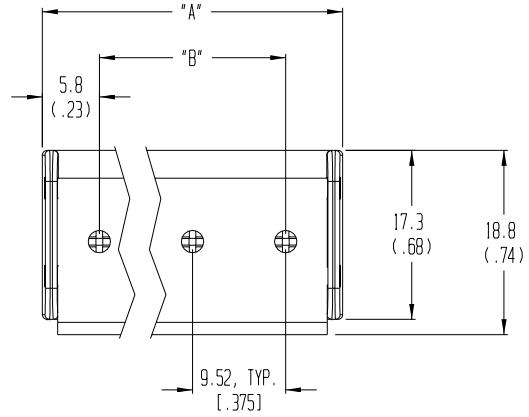


MATERIAL NO.	NUMBER OF CIRCUITS "XX"	DIM "B"	DIM "A"
387590278	02	9.53 (.375)	21.1 (.83)
387590281	03	19.05 (.750)	30.5 (1.20)
387590284	04	28.58 (1.125)	40.1 (1.58)
397590287	05	38.10 (1.500)	49.5 (1.95)
387590289	06	47.63 (1.875)	59.2 (2.33)
	07	57.15 (2.250)	68.6 (2.70)
	08	66.68 (2.625)	78.2 (3.08)
	09	76.20 (3.000)	87.6 (3.45)
	10	85.73 (3.375)	97.3 (3.83)
	11	95.25 (3.750)	106.7 (4.20)
387590298	12	104.78 (4.125)	116.3 (4.58)
	13	114.30 (4.500)	125.7 (4.95)
	14	123.83 (4.875)	135.4 (5.33)
	15	133.35 (5.250)	144.8 (5.70)
	16	142.88 (5.625)	154.4 (6.08)



- NOTES:
1. MATERIAL: SEE TABLE
 2. FINISHES: SEE TABLE
 3. PRODUCT SPECIFICATION: NOT REQUIRED
 4. PACKAGING: NOT REQUIRED
 5. MATES WITH: NONE

ITEM	QTY.	DESCRIPTION	MATERIAL	FINISH
4	XX	SCREW	STEEL	ZN, CLEAR CHROMATE
3	XX	TERMINAL	BRASS	TIN
2	1	COVER	THERMOPLASTIC	BLACK
1	1	BARRIER	THERMOPLASTIC	BLACK

EC NO. DRWN: RK CH'K: APPR: A	DESCRIPTION MAJOR = CRITICAL = SPC = S =	QUALITY SYMBOLS		GENERAL TOLERANCES: (UNLESS SPECIFIED)		SCALE 2:1	DESIGN UNITS <input type="checkbox"/> mm <input checked="" type="checkbox"/> INCH	THIRD ANGLE PROJECTION	PROJECT NO. -	-	-
		4 PLACES	±.0015	INCH	±.0015	DRAWN BY & DATE R. KEMP 6-13-03	TITLE: SR BTS ASY, PC, CS, W/ HINGED COVER	<input checked="" type="checkbox"/> mm INCH <input type="checkbox"/> INCH mm <input type="checkbox"/> mm ONLY	SHT	REV	REVISE ON CAD ONLY
		3 PLACES	±.038	±.005	CHECKED BY & DATE						
		2 PLACES	±.13	±.01	APPROVED BY & DATE						
		1 PLACE	±.3								
		ANGULAR: ±2°		DRAFT WHERE APPLICABLE MUST REMAIN WITHIN DIMENSIONS		CAD FILENAME 755XX-C-H-50	MATERIAL NO. SEE CHART	DRAWING NO. SD-38759-002	SHEET NO. 1 OF 1	SIZE B	
THIS DRAWING CONTAINS INFORMATION THAT IS PROPRIETARY TO MOLEX INCORPORATED AND SHOULD NOT BE USED WITHOUT WRITTEN PERMISSION.											