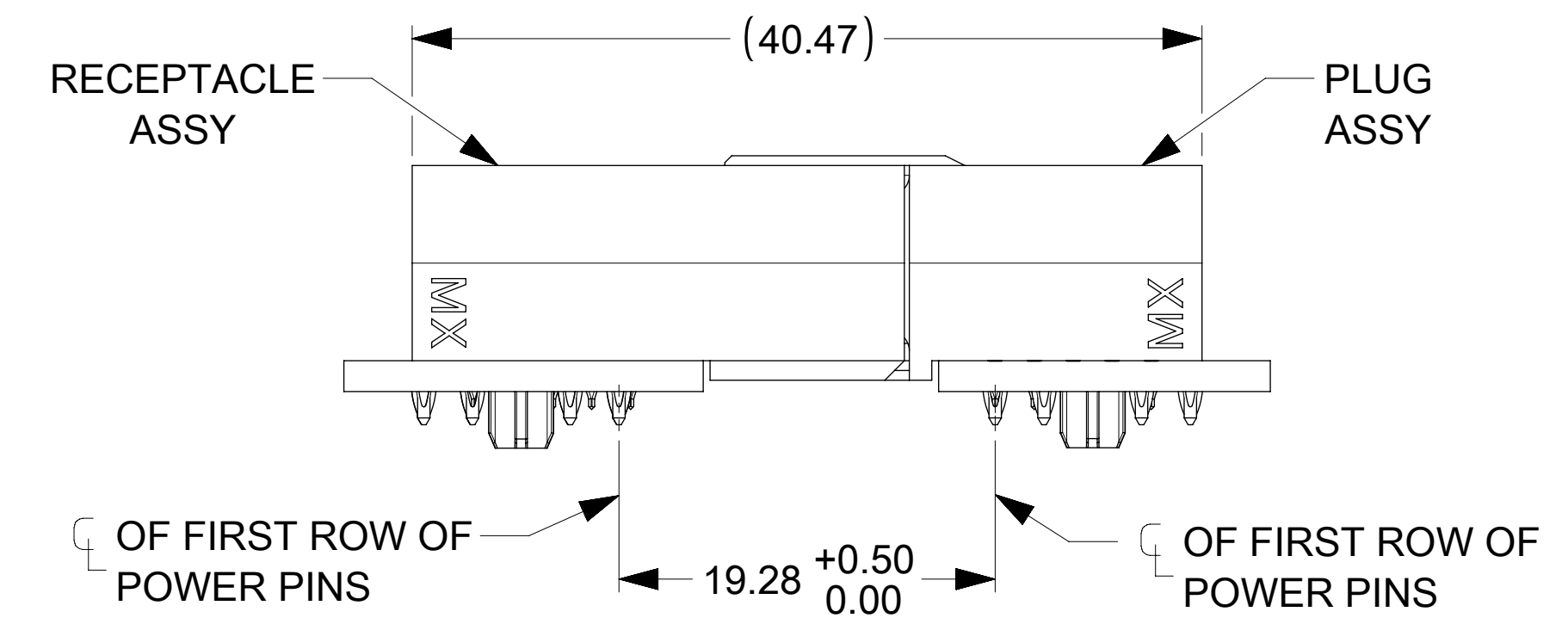
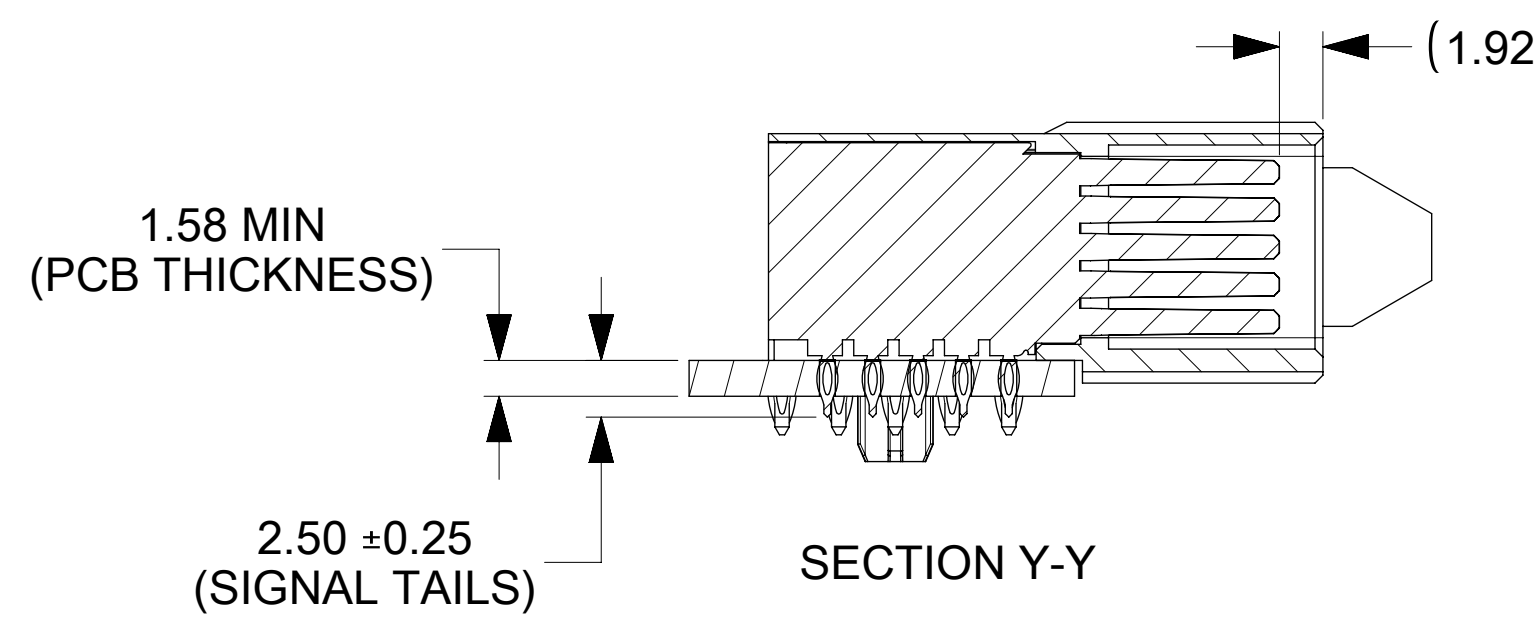
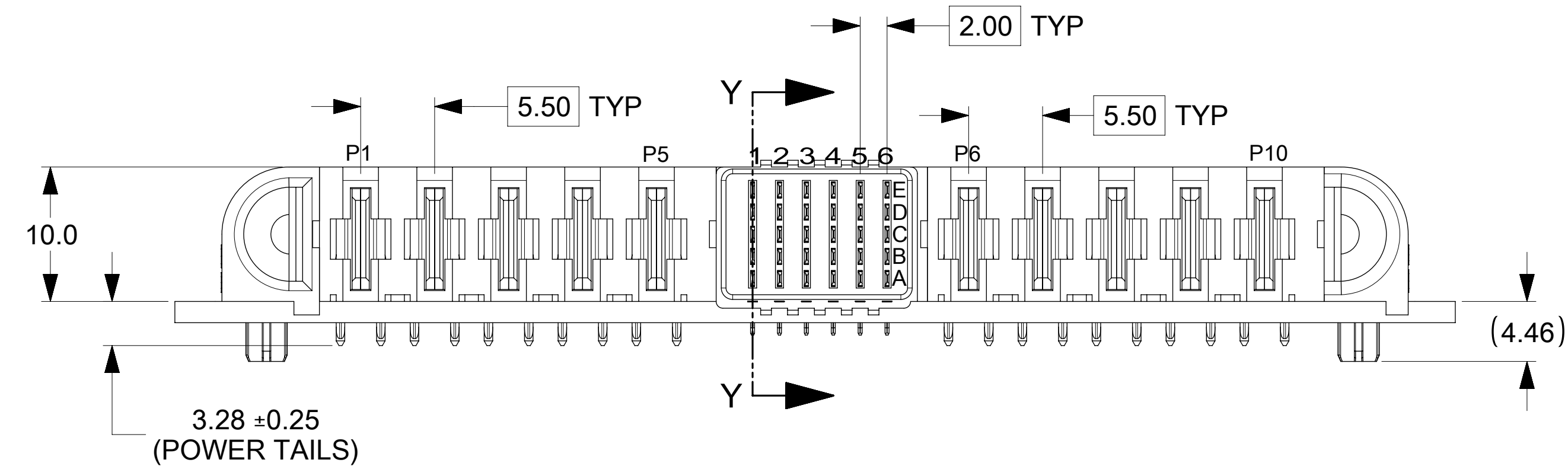
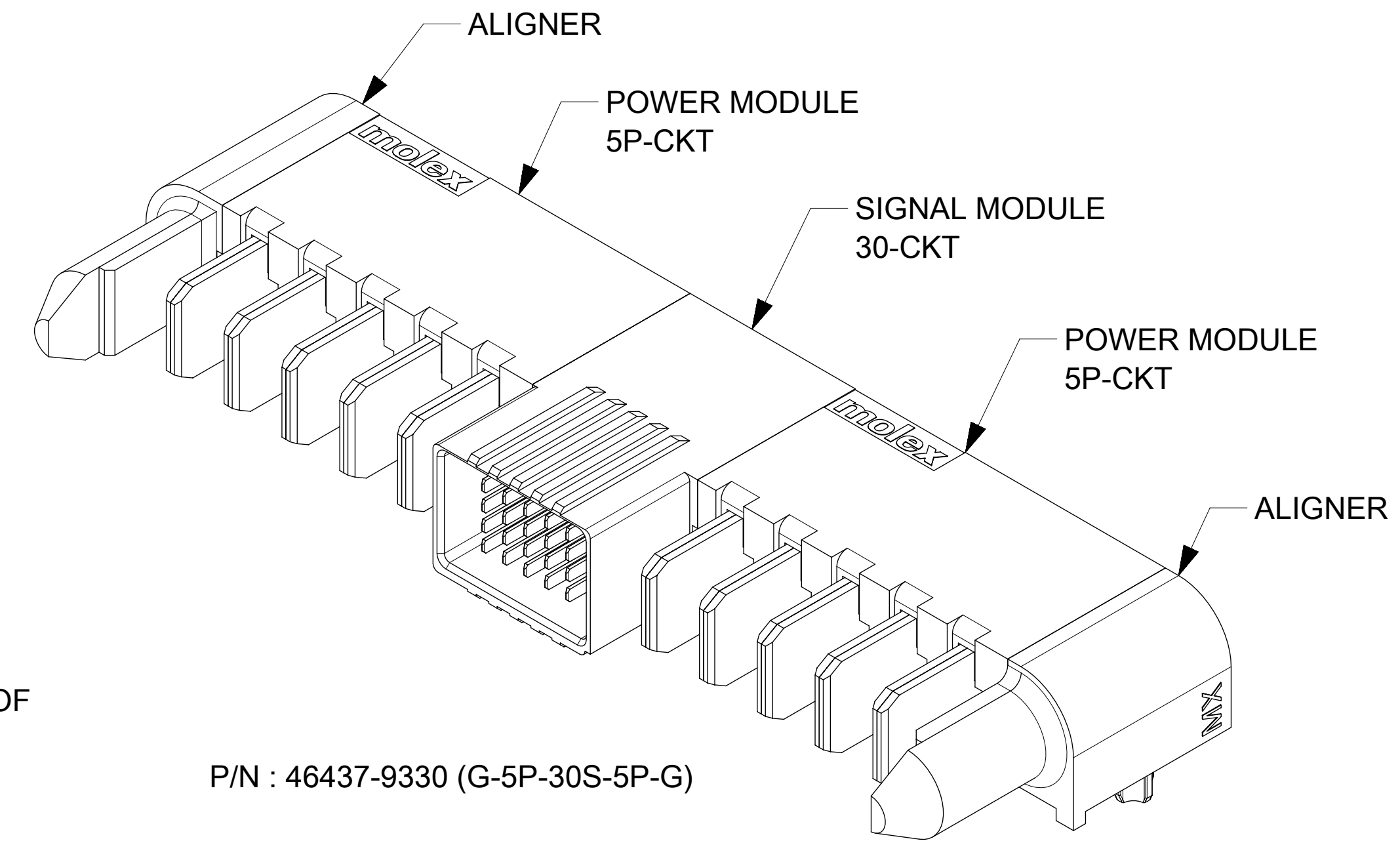
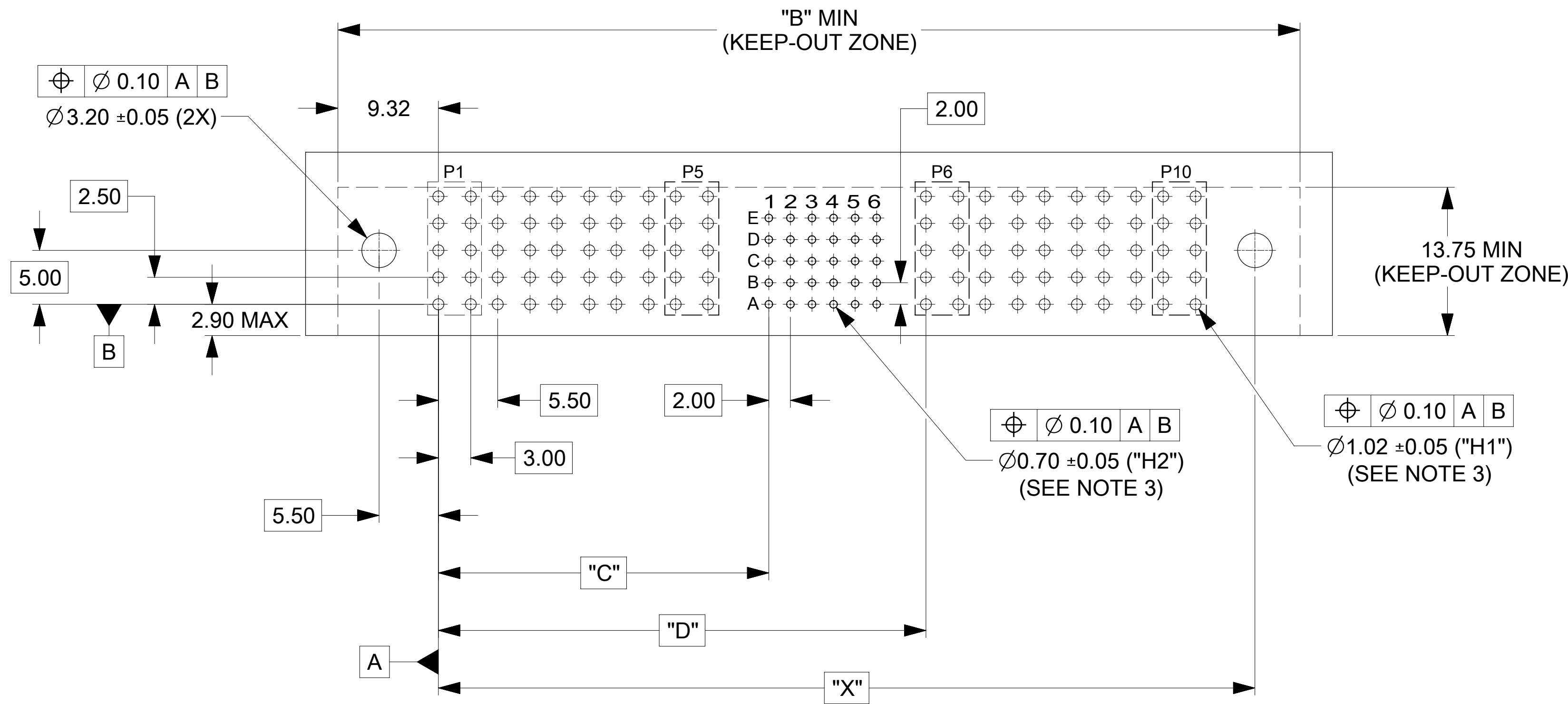


MATED PROFILE
(MATED WITH VERT RECEPTACLE ASSY)



MATED PROFILE
(MATED WITH R/A RECEPTACLE ASSY)



RECOMMENDED PCB LAYOUT AND KEEP-OUT ZONE FOR G-(1P TO 5P)-30S-(1P TO 5P)-G

- NOTES:
- MATERIAL:
 - HOUSINGS: LCP UL94, V-0, COLOR : BLACK
 - TERMINALS: HIGH CONDUCTIVITY COPPER ALLOY
 - PLATING: 1.27 MICROMETER (50 MICROINCH) NICKEL OVERALL WITH 2.54 MICROMETER (100 MICROINCH) SELECTIVE TIN ON TAILS AND 0.762 MICROMETER (30 MICROINCH) SELECTIVE GOLD ON CONTACT AREA
 - PACKAGING: ASSEMBLIES TO BE TRAY PACKED PER PACKAGING SPEC: 464371001-PK
 - PLATED THRU HOLE SIZE, REFER TO PS-46436-100 FOR DETAILS
 - PRODUCT SPEC: PS-46436-100
 - PRODUCT TO MEET RoHS REQUIREMENTS
 - ASSEMBLY MATES TO MOLEX RECEPTACLE ASSEMBLY P/N 46562-**** AND 46436-**** (SEE TABLE IN SHEET 2)
 - TAIL DESIGN: COMPLIANT PINS
 - SIGNAL CONTACTS ARE LUBRICATED.
 - POWER CONTACTS ARE LUBRICATED.
 - APPLICATION SPEC: AS-46436-100.
 - MOLEX LOGO TO BE LOCATED APPROXIMATELY AS SHOWN.

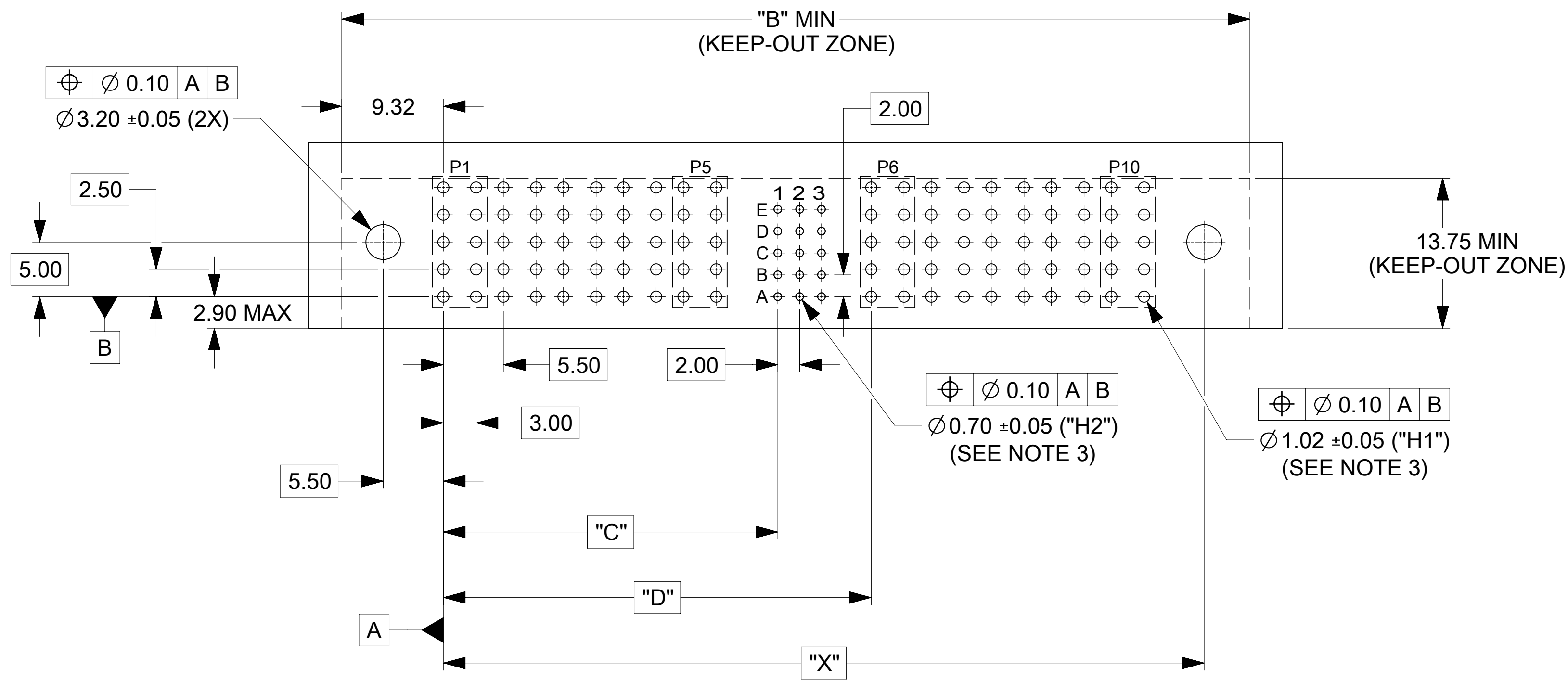
THIS DRAWING CONTAINS INFORMATION THAT IS PROPRIETARY TO MOLEX ELECTRONIC TECHNOLOGIES, LLC AND SHOULD NOT BE USED WITHOUT WRITTEN PERMISSION									
DIMENSION UNITS	SCALE	CURRENT REV DESC: ADDED ISOMETRIC VIEWS							
mm	3:1								
GENERAL TOLERANCES (UNLESS SPECIFIED)									
ANGULAR TOL	± 0.5°								
4 PLACES	±	EC NO: 689821							
3 PLACES	±	DRWN: HARSHG		2021/12/13					
2 PLACES	± 0.13	CHK'D: GJEEVANSURES		2021/12/22					
1 PLACE	± 0.25	APPR: HTHYAGARAJ		2022/02/14					
0 PLACES	±	INITIAL REVISION:							
DRAFT WHERE APPLICABLE MUST REMAIN WITHIN DIMENSIONS		THIRD ANGLE PROJECTION		DRAWING		SERIES		MATERIAL NUMBER	
		D-SIZE		46437		SEE TABLE		CUSTOMER	
				GENERAL MARKET		1 OF 4			

molex

G-*P-*S-*P-G
R/A PLUG ASSY - TEN60 POWER FAMILY

PRODUCT CUSTOMER DRAWING

DOCUMENT NUMBER	DOC TYPE	DOC PART	REVISION
464379330	PSD	000	A1



RECOMMENDED PCB LAYOUT AND KEEP-OUT ZONE FOR G-(1P TO 5P)-15S-(1P TO 5P)-G

REFER TO BELOW TABLE FOR DIMENSIONS.

FG P/N	CONFIGURATION	POWER CKT SIZE	SIGNAL CKT SIZE	DIM "A" (IN MM)	DIM "B" (IN MM)	DIM "C" (IN MM)	DIM "D" (IN MM)	DIM "X" (IN MM)	HOLES COUNT "H1"	HOLES COUNT "H2"	MATES WITH R/A ASSY P/N	MATES WITH VERT ASSY P/N
464379321	G-1P-15S-1P-G	1	15	38.21	39.21	8.64	17.21	25.71	20	15	464369321	465629321
464379322	G-2P-15S-2P-G	2	15	49.21	50.21	14.14	22.71	36.71	40	15	464369322	465629322
464379323	G-3P-15S-3P-G	3	15	60.21	61.21	19.64	28.21	47.71	60	15	464369323	465629323
464379324	G-4P-15S-4P-G	4	15	71.21	72.21	25.14	33.71	58.71	80	15	464369324	465629324
464379325	G-5P-15S-5P-G	5	15	82.21	83.21	30.64	39.21	69.71	100	15	464369325	465629325
464379326	G-1P-30S-1P-G	1	30	44.21	45.21	8.64	23.21	31.71	20	30	464369326	465629326
464379327	G-2P-30S-2P-G	2	30	55.21	56.21	14.14	28.71	42.71	40	30	464369327	465629327
464379328	G-3P-30S-3P-G	3	30	66.21	67.21	19.64	34.21	53.71	60	30	464369328	465629328
464379329	G-4P-30S-4P-G	4	30	77.21	78.21	25.14	39.71	64.71	80	30	464369329	465629329
464379330	G-5P-30S-5P-G	5	30	88.21	89.21	30.64	45.21	75.71	100	30	464369330	465629330

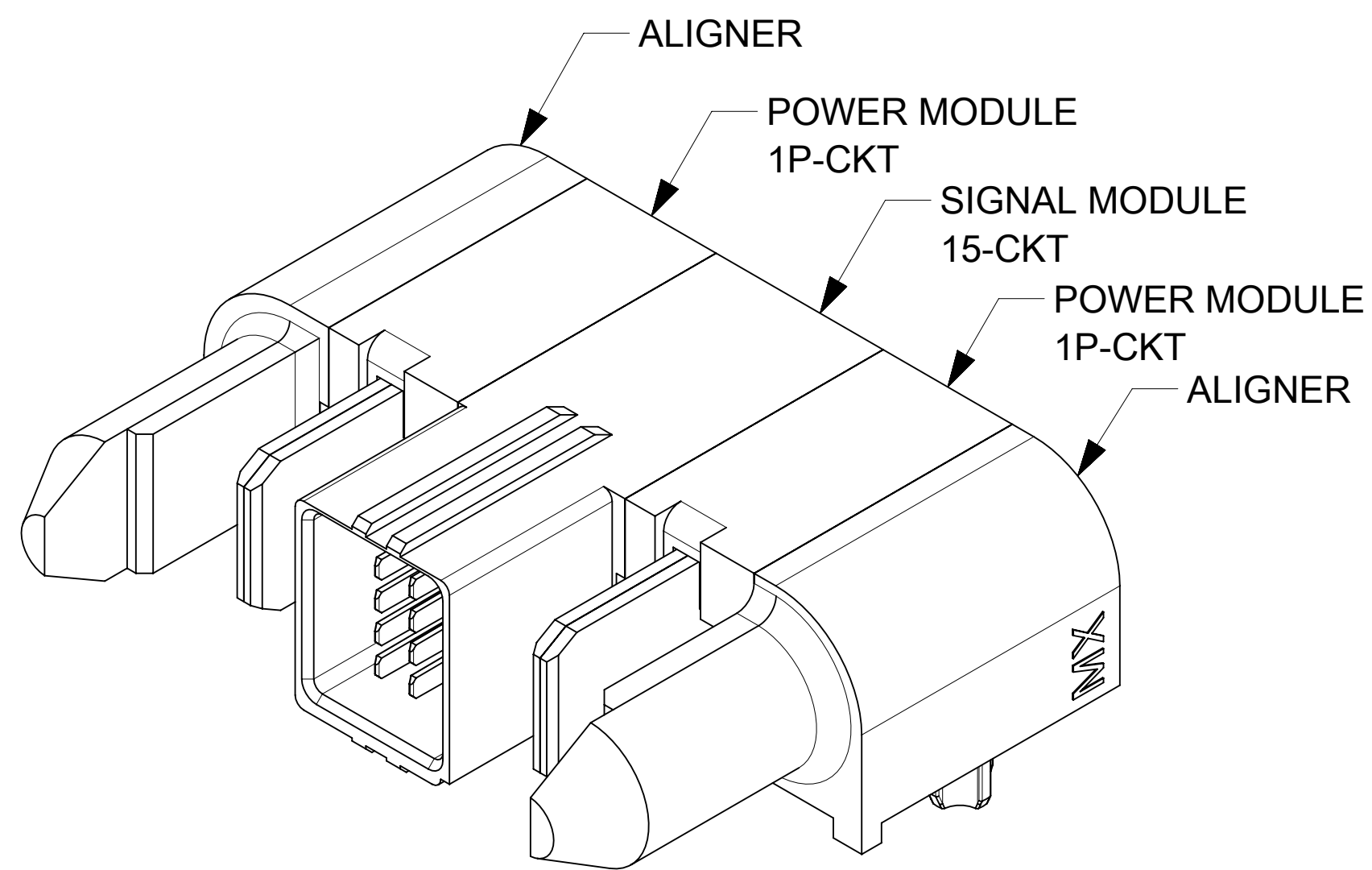
THIS DRAWING CONTAINS INFORMATION THAT IS PROPRIETARY TO MOLEX ELECTRONIC TECHNOLOGIES, LLC AND SHOULD NOT BE USED WITHOUT WRITTEN PERMISSION															
DIMENSION UNITS		SCALE		CURRENT REV DESC: ADDED ISOMETRIC VIEWS											
mm		3:1													
GENERAL TOLERANCES (UNLESS SPECIFIED)															
ANGULAR TOL ± 0.5°															
4 PLACES ±				EC NO: 689821											
3 PLACES ±				DRWN: HARSHG 2021/12/13											
2 PLACES ± 0.13				CHK'D: GJEEVANSURES 2021/12/22											
1 PLACE ± 0.25				APPR: HTHYAGARAJ 2022/02/14											
0 PLACES ±				INITIAL REVISION:											
DRAFT WHERE APPLICABLE MUST REMAIN WITHIN DIMENSIONS				THIRD ANGLE PROJECTION		DRAWING		SERIES		MATERIAL NUMBER		CUSTOMER		SHEET NUMBER	
						D-SIZE		46437		SEE TABLE		GENERAL MARKET		2 OF 4	
DOCUMENT STATUS				P1		RELEASE DATE		2022/02/14		09:02:06					

molex

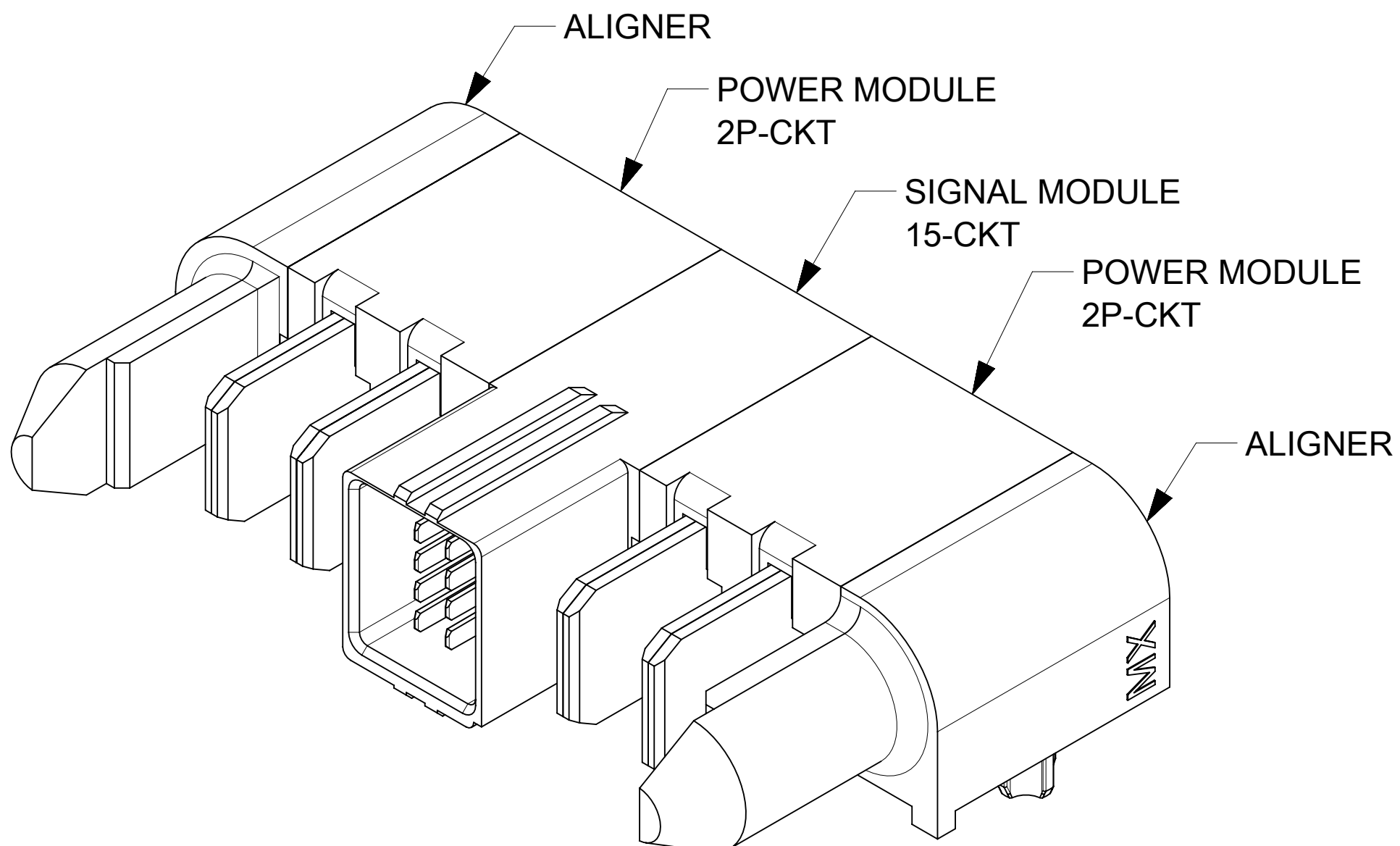
G-*P-*S-*P-G
R/A PLUG ASSY - TEN60 POWER FAMILY

PRODUCT CUSTOMER DRAWING

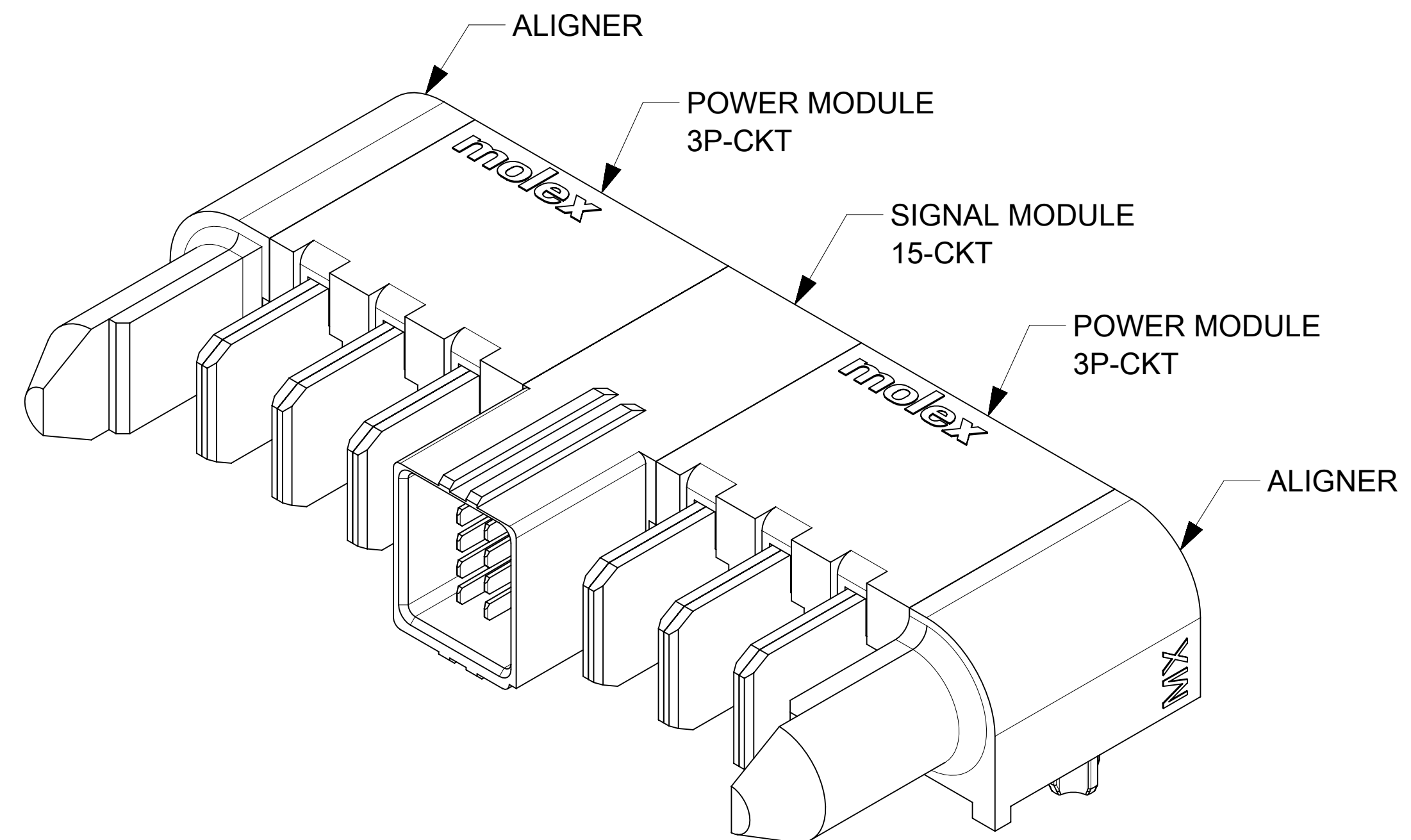
DOCUMENT NUMBER	DOC TYPE	DOC PART	REVISION
464379330	PSD	000	A1



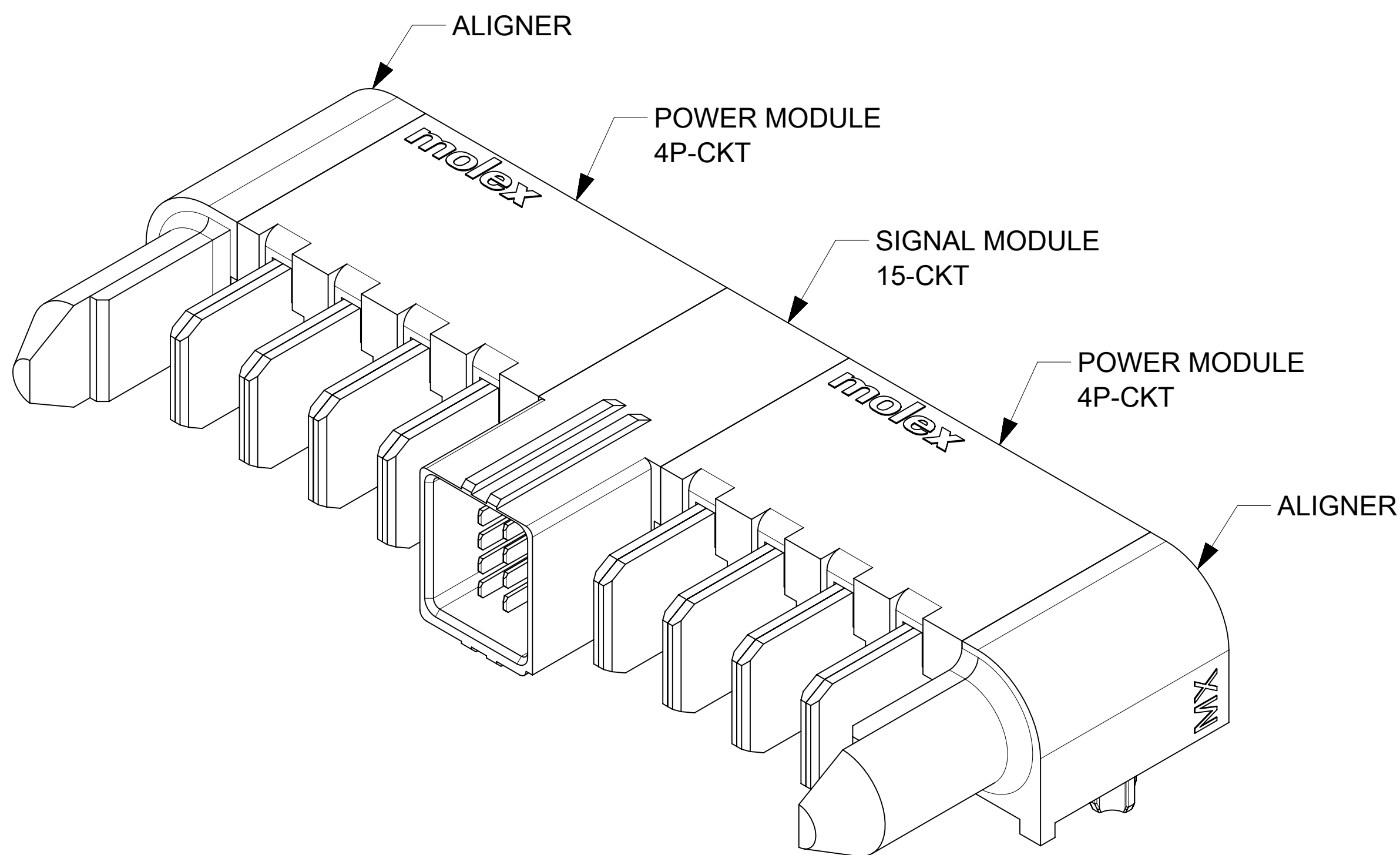
P/N : 46437-9321 (G-1P-15S-1P-G)



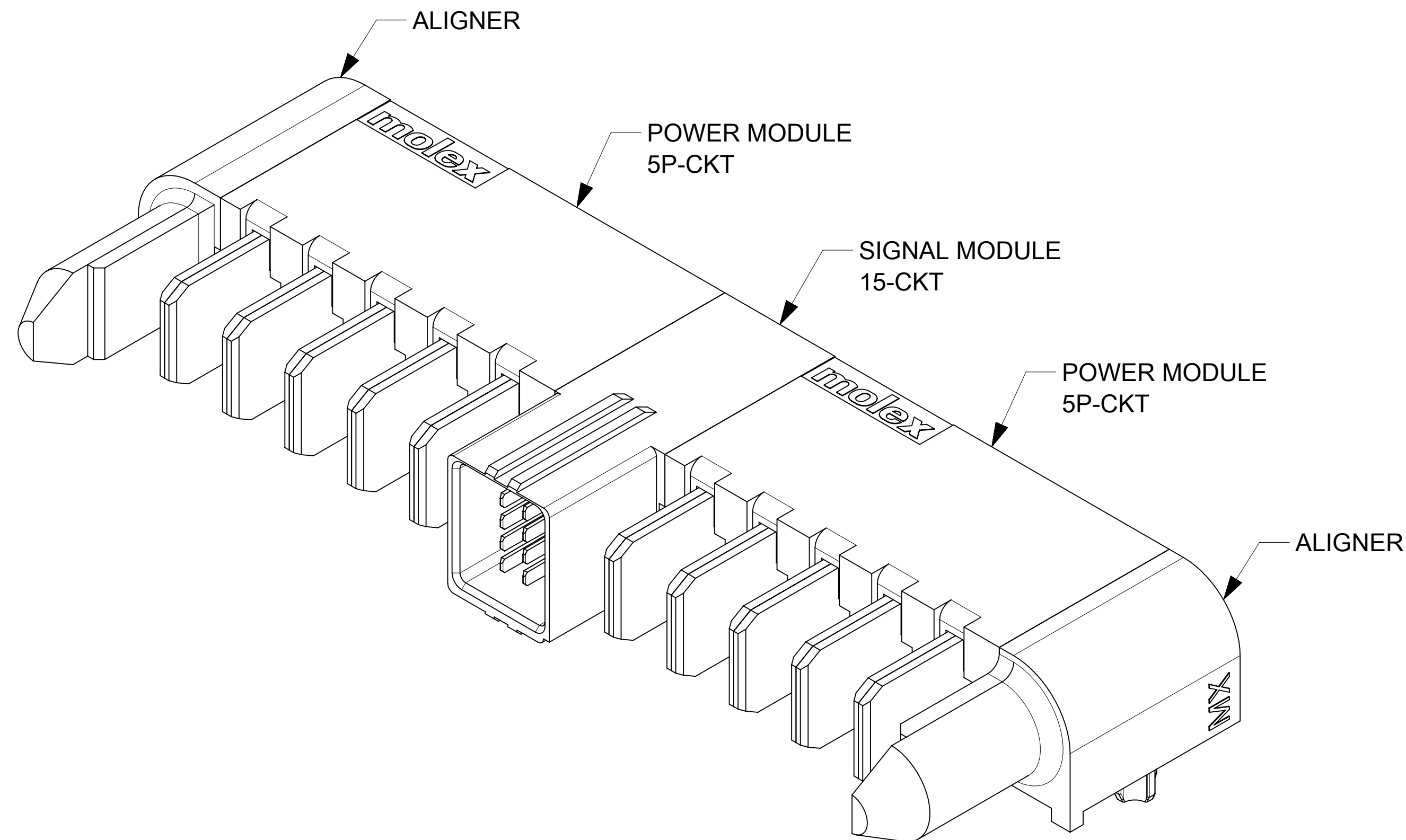
P/N : 46437-9322 (G-2P-15S-2P-G)



P/N : 46437-9323 (G-3P-15S-3P-G)

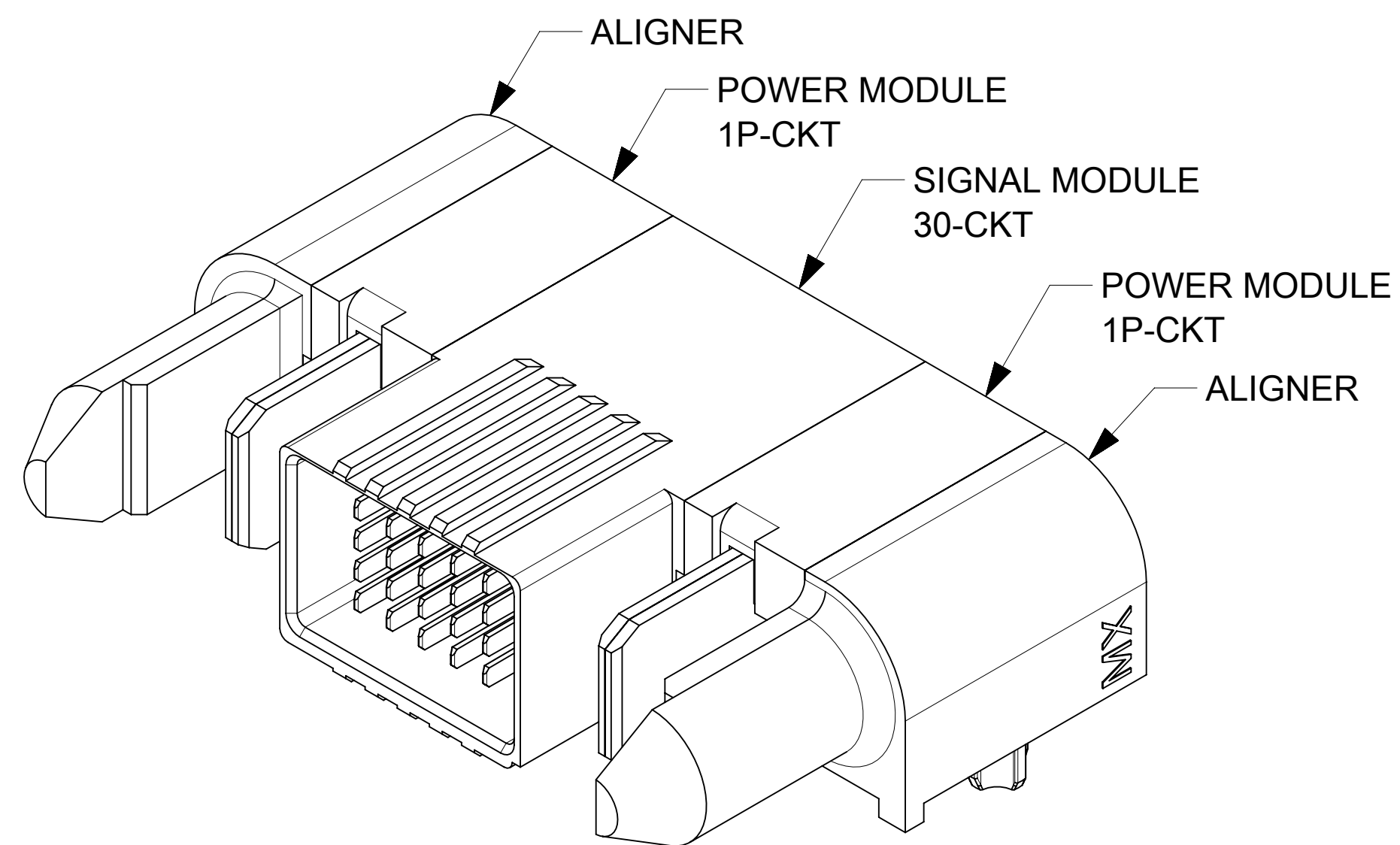


P/N : 46437-9324 (G-4P-15S-4P-G)

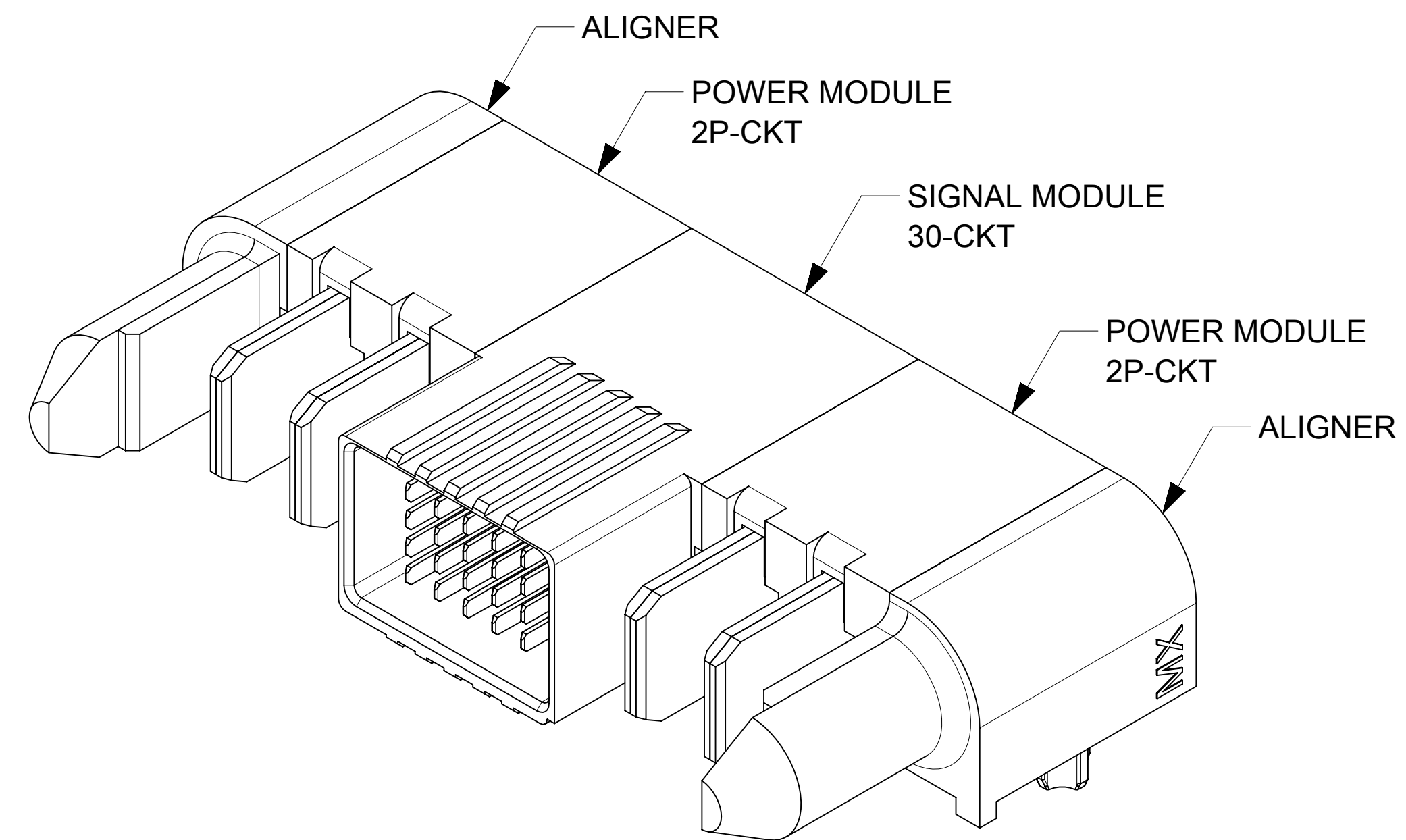


P/N : 46437-9325 (G-5P-15S-5P-G)

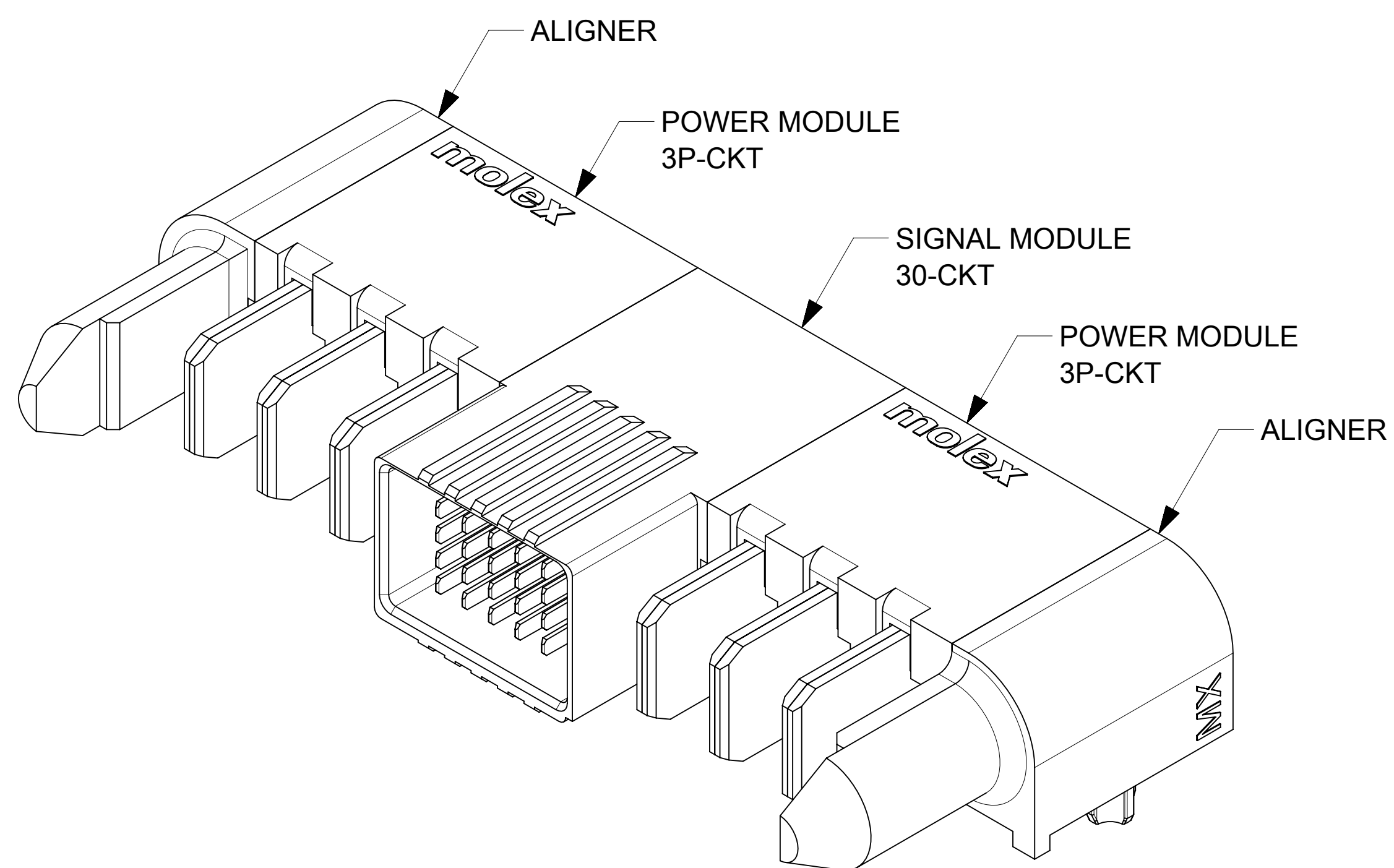
THIS DRAWING CONTAINS INFORMATION THAT IS PROPRIETARY TO MOLEX ELECTRONIC TECHNOLOGIES, LLC AND SHOULD NOT BE USED WITHOUT WRITTEN PERMISSION											
DIMENSION UNITS		SCALE		CURRENT REV DESC: ADDED ISOMETRIC VIEWS							
mm		4:1									
GENERAL TOLERANCES (UNLESS SPECIFIED)				EC NO: 689821		2021/12/13		G-*P-*S-*P-G R/A PLUG ASSY - TEN60 POWER FAMILY			
ANGULAR TOL ± 0.5°				DRWN: HARSHG		2021/12/22					
4 PLACES ±				CHK'D: GJEEVANSURES		2022/02/14		PRODUCT CUSTOMER DRAWING			
3 PLACES ±				APPR: HTHYAGARAJ				DOCUMENT NUMBER			
2 PLACES ± 0.13				INITIAL REVISION:				464379330		DOC TYPE	
1 PLACE ± 0.25				DRWN: KSUTAR		2021/08/17		PSD		DOC PART	
0 PLACES ±				APPR: HTHYAGARAJ		2021/10/21		000		REVISION	
DRAFT WHERE APPLICABLE MUST REMAIN WITHIN DIMENSIONS				THIRD ANGLE PROJECTION		DRAWING		SERIES		SHEET NUMBER	
						D-SIZE		46437		3 OF 4	
								MATERIAL NUMBER		CUSTOMER	
								SEE TABLE		GENERAL MARKET	



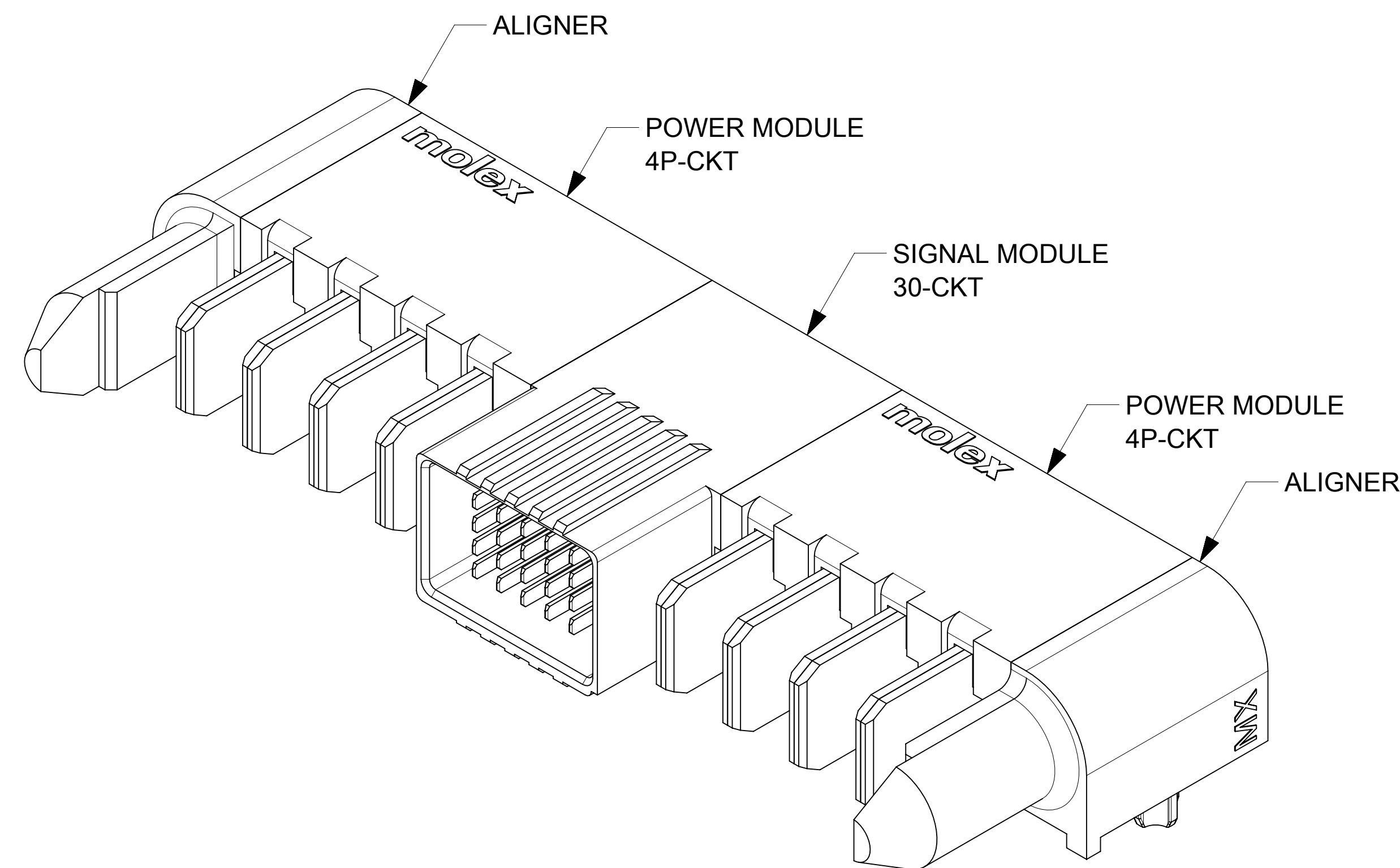
P/N : 46437-9326 (G-1P-30S-1P-G)



P/N : 46437-9327 (G-2P-30S-2P-G)



P/N : 46437-9328 (G-3P-30S-3P-G)



P/N : 46437-9329 (G-4P-30S-4P-G)

THIS DRAWING CONTAINS INFORMATION THAT IS PROPRIETARY TO MOLEX ELECTRONIC TECHNOLOGIES, LLC AND SHOULD NOT BE USED WITHOUT WRITTEN PERMISSION																	
DIMENSION UNITS	SCALE	CURRENT REV DESC: ADDED ISOMETRIC VIEWS															
mm	4:1	<div style="text-align: right; font-size: 2em; font-weight: bold;">molex</div> <p style="text-align: center;">G-*P-*S-*P-G R/A PLUG ASSY - TEN60 POWER FAMILY</p> <p style="text-align: center;">PRODUCT CUSTOMER DRAWING</p> <table border="1" style="width: 100%; border-collapse: collapse;"> <tr> <td>DOCUMENT NUMBER</td> <td>DOC TYPE</td> <td>DOC PART</td> <td>REVISION</td> </tr> <tr> <td style="text-align: center; font-size: 1.2em;">464379330</td> <td style="text-align: center;">PSD</td> <td style="text-align: center;">000</td> <td style="text-align: center; font-size: 1.2em;">A1</td> </tr> </table>								DOCUMENT NUMBER	DOC TYPE	DOC PART	REVISION	464379330	PSD	000	A1
DOCUMENT NUMBER	DOC TYPE									DOC PART	REVISION						
464379330	PSD									000	A1						
GENERAL TOLERANCES (UNLESS SPECIFIED)																	
ANGULAR TOL	± 0.5°																
4 PLACES	±																
3 PLACES	±																
2 PLACES	± 0.13																
1 PLACE	± 0.25																
0 PLACES	±	EC NO: 689821	2021/12/13														
DRAFT WHERE APPLICABLE MUST REMAIN WITHIN DIMENSIONS		DRWN: HARSHG	2021/12/22														
		CHK'D: GJEEVANSURES	2022/02/14														
		APPR: HTHYAGARAJ															
THIRD ANGLE PROJECTION		INITIAL REVISION:															
		DRWN: KSUTAR	2021/08/17														
		APPR: HTHYAGARAJ	2021/10/21														
DRAWING		SERIES	MATERIAL NUMBER	CUSTOMER	SHEET NUMBER												
D-SIZE		46437	SEE TABLE	GENERAL MARKET	4 OF 4												