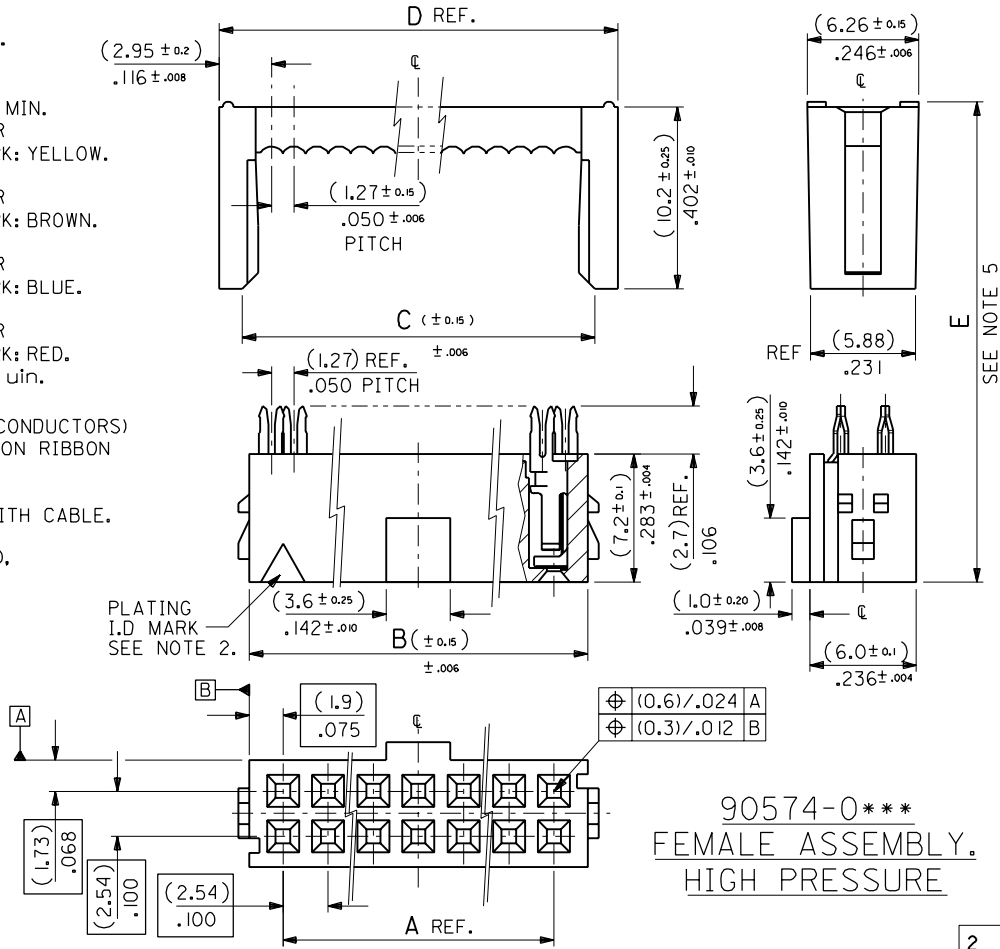


PART NO. SEE CHART
 DWG. NO. SDA-90574

- NOTES: 1. MATERIAL:
 HOUSING: POLYESTER, G.F. (UL 94V-0), COLOUR - BLACK.
 TERMINAL: PHOSPHOR BRONZE.
2. TERMINAL PLATING:
 90574-***1 : CONTACT AREA: GOLD FLASH (0.1um)/4uin MIN.
 (GS1) I.D. AREA: TIN-LEAD (1um)/39uin MIN. OVER
 NICKEL (1um)/39uin MIN. PLATING I.D. MARK: YELLOW.
 90574-***2 : CONTACT AREA: GOLD (0.76um)/30uin MIN
 (GS2) I.D. AREA: TIN-LEAD (1um)/39uin MIN. OVER
 NICKEL (1um)/39uin MIN. PLATING I.D. MARK: BROWN.
 90574-***3 : CONTACT AREA: GOLD (0.25um)/10uin MIN
 (GS3) I.D. AREA: TIN-LEAD (1um)/39uin MIN. OVER
 NICKEL (1um)/39uin MIN. PLATING I.D. MARK: BLUE.
 90574-***5 : CONTACT AREA: GOLD (0.36um)/15uin MIN
 (GS5) I.D. AREA: TIN-LEAD (1um)/39uin MIN. OVER
 NICKEL (1um)/39uin MIN. PLATING I.D. MARK: RED.
 90574-***9 : HOT TIN LEAD DIP (1.0-2.5 um) / 40-100 uin.
 I.D. MARK: BLACK
3. FOR USE WITH No. 26 & 28 AWG STRANDED WIRE (7 CONDUCTORS)
 AND No. 28 SOLID WIRE 1.14/(.045) DIA. MAX. INSULATION RIBBON
 CABLE WITH 1.27/(.050) CENTERS.
4. MATING STRAIN RELIEF: MOLEX No. 90170.
5. DIMENSION "E" IS TOTAL HEIGHT AFTER ASSEMBLED WITH CABLE.
 E = (10.2)/.402 REF. WITHOUT STRAIN RELIEF.
 E = (15.2)/.598 MAX. WITH STRAIN RELIEF No. 90170,
 AND (14.5)/.571 REF. WHEN COMPRESSED .
6. PRODUCT SPECIFICATION NUMBER : PS 99020-0016.

NO. OF CKT.	ENG. NO.	A	B	C	D REF.
64	90574-064*	(78.74) 3.100	(82.54) 3.250	(82.71) 3.256	(85.91) 3.382
60	90574-060*	(73.66) 2.900	(77.46) 3.050	(77.63) 3.056	(80.83) 3.182
50	90574-050*	(60.96) 2.400	(64.76) 2.55	(64.93) 2.556	(68.13) 2.682
40	90574-040*	(48.26) 1.900	(52.06) 2.050	(52.23) 2.056	(55.43) 2.182
34	90574-034*	(40.64) 1.600	(44.44) 1.750	(44.61) 1.756	(47.81) 1.882
30	90574-030*	(35.56) 1.400	(39.36) 1.550	(39.53) 1.556	(42.73) 1.682
26	90574-026*	(30.48) 1.200	(34.28) 1.350	(34.45) 1.356	(37.65) 1.482
20	90574-020*	(22.86) .900	(26.66) 1.050	(26.83) 1.056	(30.03) 1.182
16	90574-016*	(17.78) .700	(21.58) .850	(21.75) .856	(24.95) .982
14	90574-014*	(15.24) .600	(19.04) .750	(19.21) .756	(22.41) .882
10	90574-010*	(10.16) .400	(13.96) .550	(14.13) .556	(17.33) .682



90574-0***
 FEMALE ASSEMBLY.
 HIGH PRESSURE

FOR PREVIOUS DRAWING ISSUES SEE MRI.

OLIVETTI APPROVAL
 ECN E30020
 26 AUGUST 1992 SM

D LTR REVISIONS

DIMENSIONS SHOWN (METRIC) INCH	
UNLESS OTHERWISE SPECIFIED TOLERANCES: ANGULAR ± 1/2°	
INCH	(METRIC)
3 PLACE ± .	
2 PLACE ± .	
1 PLACE ± .	
DRAFT WHERE APPLICABLE MUST REMAIN WITHIN DIMENSIONS	
DESIGN DIMENSION (PRIMARY)	<input checked="" type="checkbox"/> (MM) <input type="checkbox"/> IN.
EQUIVALENT DIMENSION (SECONDARY)	<input type="checkbox"/> (MM) <input checked="" type="checkbox"/> IN.

DRWG BY PR

CHK'D BY

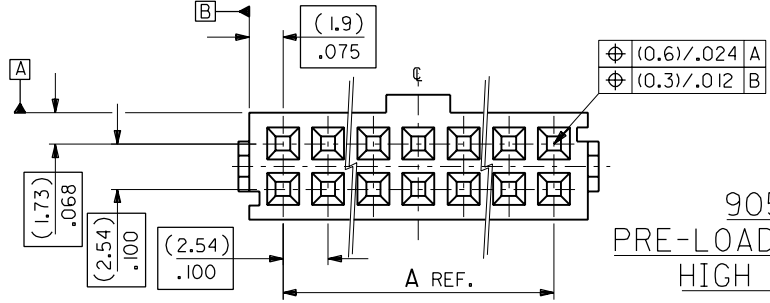
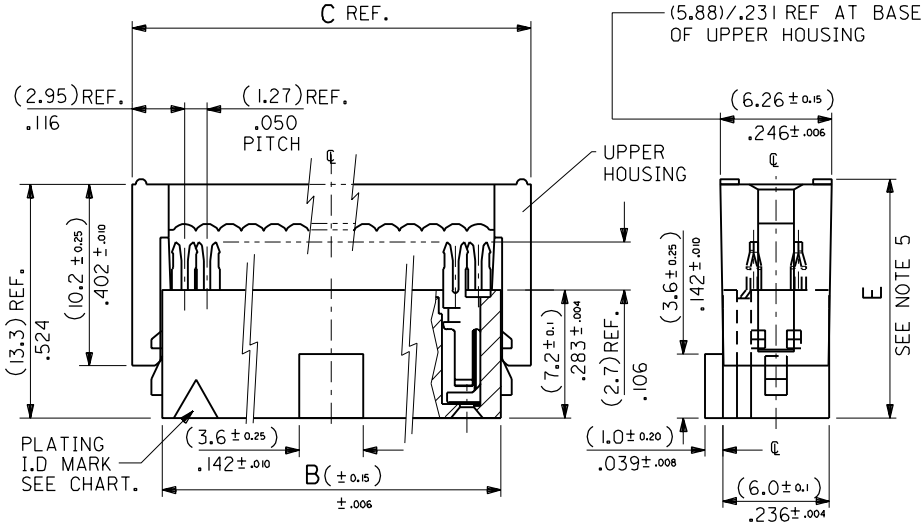
APP'D BY

SCALE 4:1

REVISE ONLY ON CAD SYSTEM		2	D
		1	D
		SH.	REV.
CAD/CAM FILENAME SA90574X1 DCN		THIS DRAWING CONTAINS INFORMATION THAT IS PROPRIETARY TO MOLEX INC. & SHOULD NOT BE USED WITHOUT WRITTEN PERMISSION	
TITLE QIK-FLECS IMPROVED WIPING LENGTH FEMALE ASSEMBLY, HIGH PRESSURE			
molex MOLEX EUROPE		SHEET NO. DATE 10F2 90/08/23	
PART NO. SEE CHART	DWG NO. SDA-90574	SIZE B	

PART NO. SEE CHART SDA-90574
 DWG. NO.

- NOTES:
- MATERIAL:
HOUSING: POLYESTER, G.F. (UL 94V-0), COLOUR - BLACK.
TERMINAL: PHOSPHOR BRONZE.
 - TERMINAL PLATING:
90574-***1: CONTACT AREA: GOLD FLASH (0.1um)/4uin MIN. (GS1)
I.D. AREA: TIN-LEAD (1um)/39uin MIN. OVER NICKEL (1um)/39uin MIN. PLATING I.D. MARK: YELLOW.
90574-***2: CONTACT AREA: GOLD (0.76um)/30uin MIN I.D. AREA: TIN-LEAD (1um)/39uin MIN. OVER NICKEL (1um)/39uin MIN. PLATING I.D. MARK: BROWN.
90574-***3: CONTACT AREA: GOLD (0.25um)/10uin MIN I.D. AREA: TIN-LEAD (1um)/39uin MIN. OVER NICKEL (1um)/39uin MIN. PLATING I.D. MARK: BLUE.
90574-***5: CONTACT AREA: GOLD (0.38um)/15uin MIN I.D. AREA: TIN-LEAD (1um)/39uin MIN. OVER NICKEL (1um)/39uin MIN. PLATING I.D. MARK: RED
90574-***9: HOT TIN LEAD DIP (1.0-2.5 um) 40-100 uin. I.D. MARK: BLACK
 - FOR USE WITH No. 26 & 28 AWG STRANDED WIRE (7 CONDUCTORS) AND No. 28 SOLID WIRE 1.14/(.045) DIA. MAX. INSULATION RIBBON CABLE WITH 1.27/(.050) CENTERS.
 - MATING STRAIN RELIEF: MOLEX No. 90170.
 - DIMENSION "E" IS TOTAL HEIGHT AFTER ASSEMBLED WITH CABLE.
E = (10.2)/.402 REF. WITHOUT STRAIN RELIEF.
E = (15.2)/.598 MAX. WITH STRAIN RELIEF No. 90170. AND (14.5)/.571 REF. WHEN COMPRESSED .
 - PRODUCT SPECIFICATION NUMBER : PS 99020-0016.



90574-1***
PRE-LOADED ASSEMBLY.
HIGH PRESSURE

64	90574-164*	(78.74) 3.100	(82.54) 3.250	(85.91) 3.382
60	90574-160*	(73.66) 2.900	(77.46) 3.050	(80.83) 3.182
50	90574-150*	(60.96) 2.400	(64.76) 2.55	(68.13) 2.682
40	90574-140*	(48.26) 1.900	(52.06) 2.050	(55.43) 2.182
34	90574-134*	(40.64) 1.600	(44.44) 1.750	(47.81) 1.882
30	90574-130*	(35.56) 1.400	(39.36) 1.550	(42.73) 1.682
26	90574-126*	(30.48) 1.200	(34.28) 1.350	(37.65) 1.482
20	90574-120*	(22.86) .900	(26.66) 1.050	(30.03) 1.182
16	90574-116*	(17.78) .700	(21.58) .850	(24.95) .982
14	90574-114*	(15.24) .600	(19.04) .750	(22.41) .882
10	90574-110*	(10.16) .400	(13.96) .550	(17.33) .682
NO. OF CKT.	ENG. NO.	A	B	C

FOR PREVIOUS DRAWING ISSUES SEE MRI.

D SEE SHEET 1.

LTR REVISIONS

DIMENSIONS SHOWN (METRIC) INCH	
INCH	(METRIC)
3 PLACE ± .	±
2 PLACE ± .	±
1 PLACE ± .	±

DRAFT WHERE APPLICABLE MUST REMAIN WITHIN DIMENSIONS

DESIGN DIMENSION (PRIMARY) (MM) IN.

EQUIVALENT DIMENSION (SECONDARY) (MM) IN.

REVISE ONLY ON CAD SYSTEM		SH.	REV.
CAD/CAM FILENAME SA90574X2 DCN	THIS DRAWING CONTAINS INFORMATION THAT IS PROPRIETARY TO MOLEX INC. & SHOULD NOT BE USED WITHOUT WRITTEN PERMISSION		
TITLE QIK-FLECS IMPROVED WIPING LENGTH FEMALE ASSEMBLY HIGH PRESSURE, PRE-LOADED			
molex MOLEX EUROPE		SHEET NO. DATE 20F 90/08/23	
PART NO. SEE CHART	DWG. NO. SDA-90574	SIZE B	