

<b>Business Unit:</b>	<b>HARTING Electronics</b>	<b>PCN/20/019/C+N - US</b>
<b>Product Range:</b>	<b>Interface Connectors / PushPull &amp; Rj45</b>	Date: 2020-11-16
<b>Title:</b>	<b>Han PushPull Rj45 – New Cable Gland</b>	Page 1/2

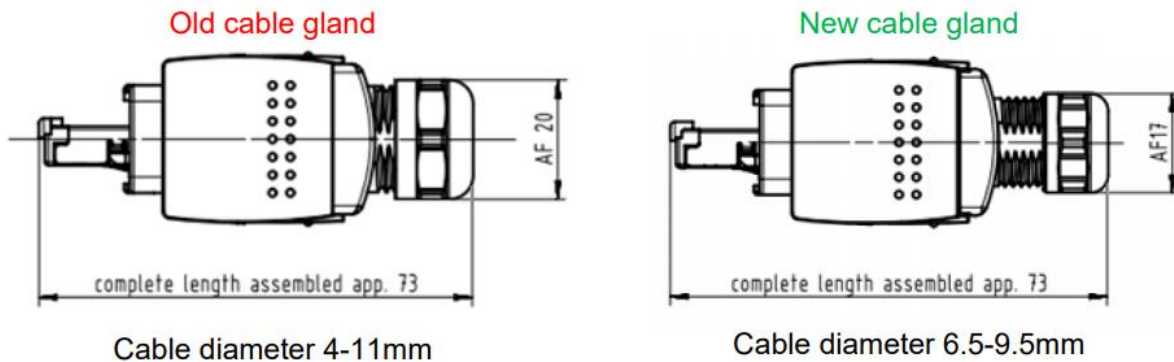
## Details of the Product Changes

### 1. Affected Part Numbers

09 35 221 0401  
09 35 226 0401

### 2. Description of the Change

Cable clamping range changes from 4-11mm to 6.5-9.5mm.



### 3. Impact on the Product Specification

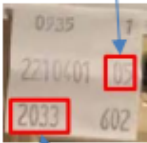
Across flat is changed from AF20 to AF17, cable diameter is changed to 6.5-9.5mm.

### 4. Scheduled Date of Implementation

The change was already done, and the production is producing new parts only. Depending on stock level and order intake it might take some time until every customer receive new parts as old and new parts might be mixed on stock.

**5. Identification of Change**

There will be a new revision level created for each part number.

p/n	description	Date code of last production batch of old parts	Date code of first production batch of new parts	Revision level)	<div style="border: 1px solid black; padding: 2px; text-align: center;">Revision</div>  <div style="border: 1px solid black; padding: 2px; text-align: center;">Date code</div>
09352210401	Han PP Metall V14 RJ45 Cat5 Stvb. 4p IDC	1946	2013	05 (or higher)	
09352260401	Han PP RJ45 PN Metall Steckverb. Set	1943	2012	01 (or higher)	

In case of questions or concerns, please do not hesitate to contact our technical support.

Technical Support E-mail: [TechSupportUS@HARTING.com](mailto:TechSupportUS@HARTING.com)

Technical Support Phone Number: **866-278-0306** (Select option 3 for technical support).