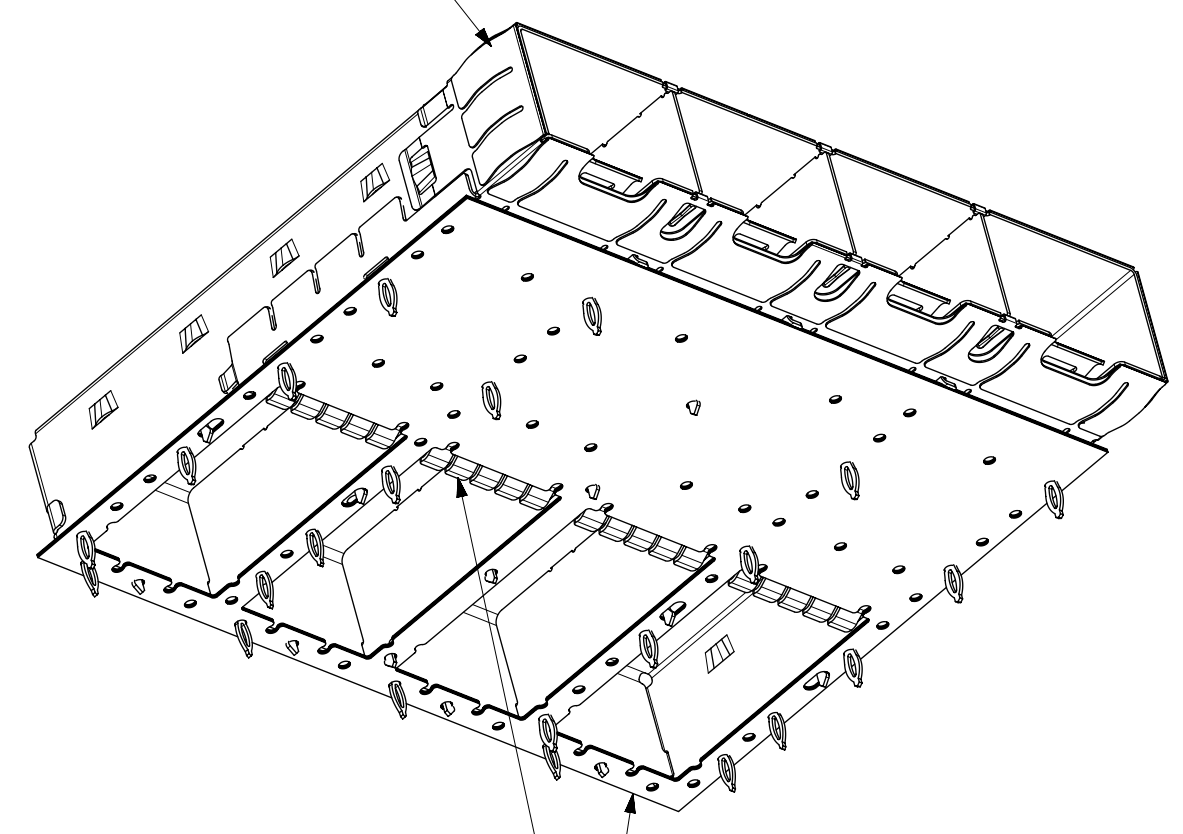


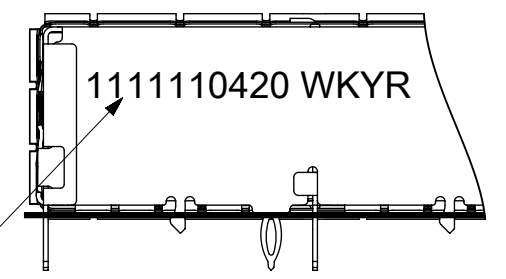
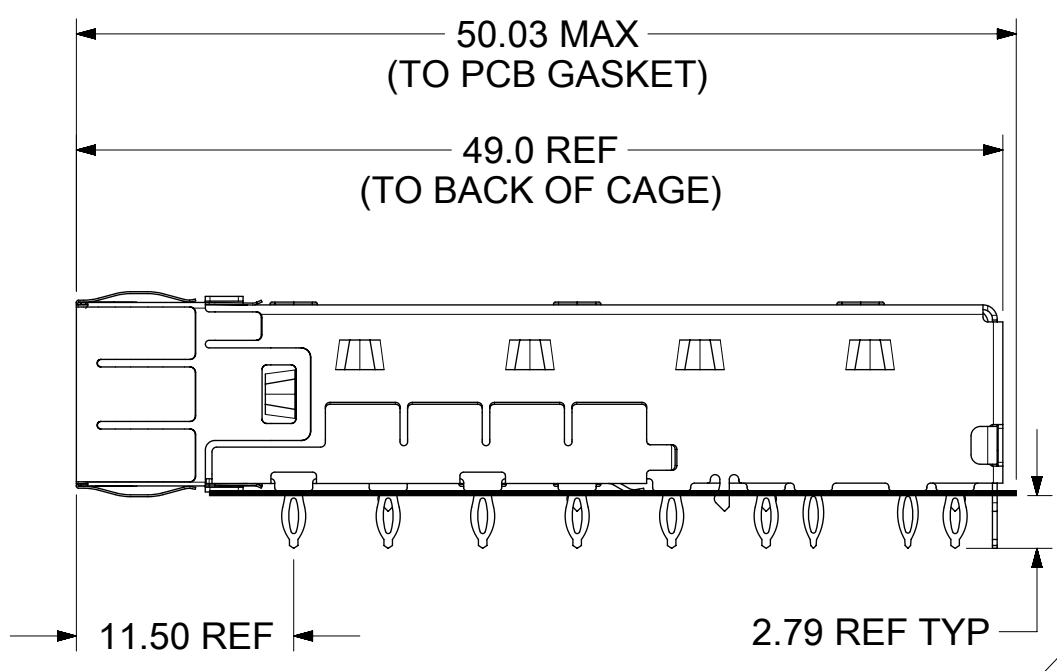
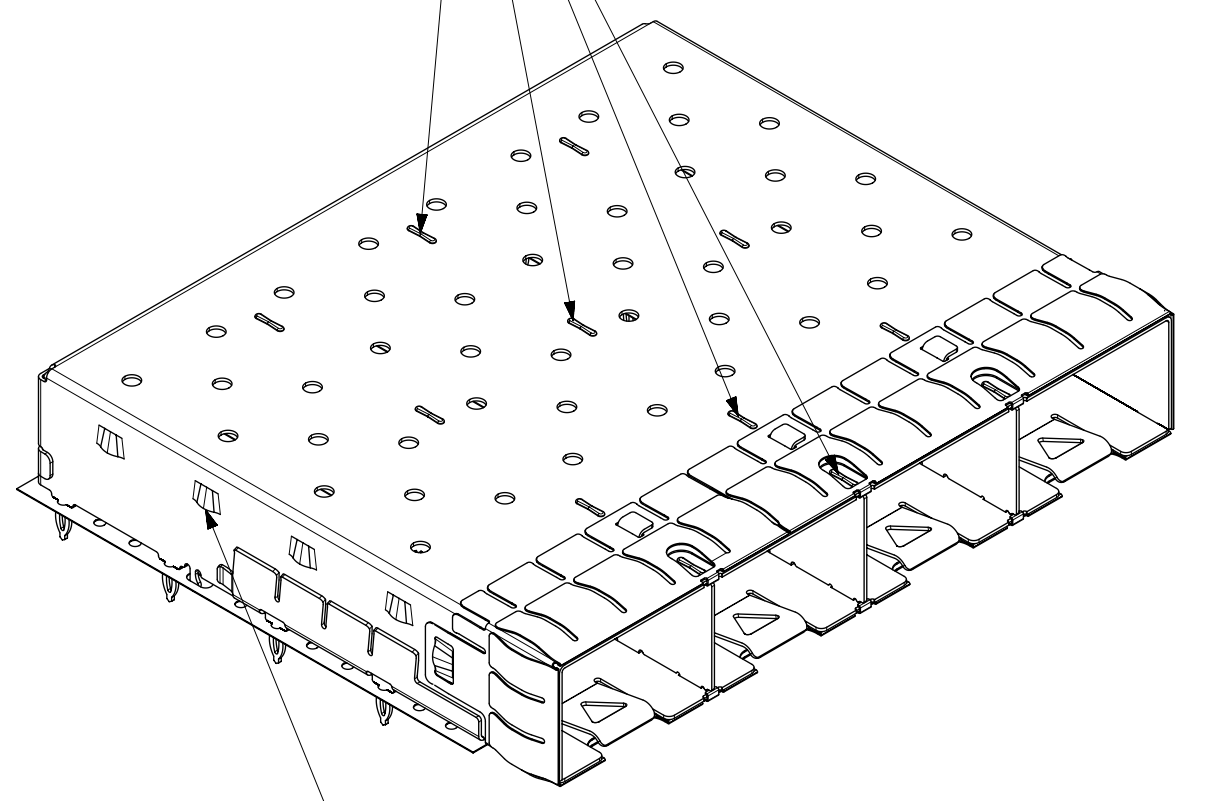
EMI SPRING FINGERS



UNDERBELLY SPRING FINGERS

GEN 1 BELLY PCB GASKETS

INNER WALL ARE COINED OVER BASE AND COVER FOR EXCELLENT RIGIDITY



PART NO. AND WEEK/YEAR DATE CODE TO BE PRINTED ON BACK OF CAGE APPROXIMATELY AS SHOWN. SEE TABLE BELOW FOR DATE CODE INFORMATION.

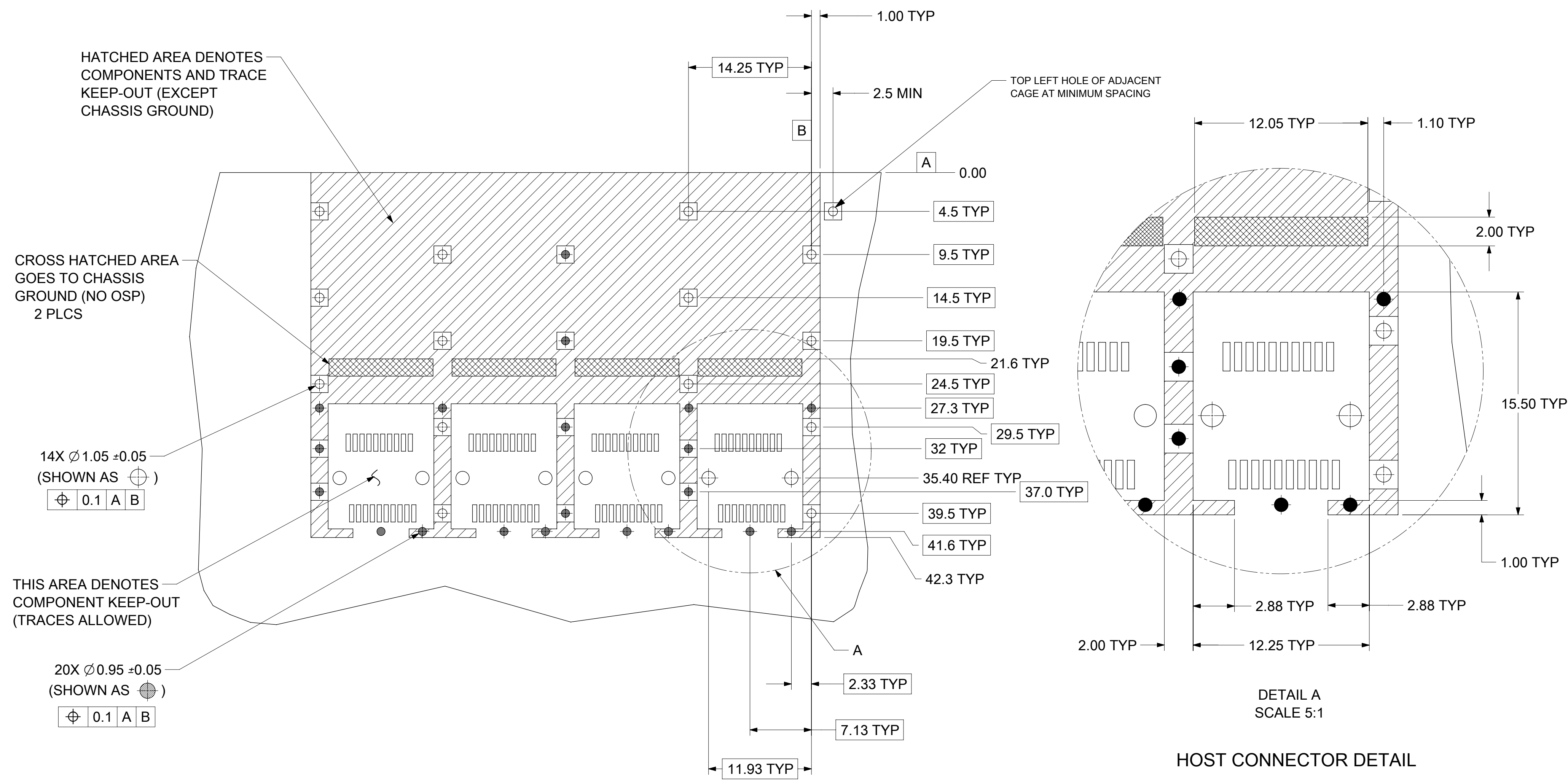
NOTES (UNLESS OTHERWISE SPECIFIED):

1. MATERIAL:
CAGE: 0.25mm THICK COPPER ALLOY, NICKEL PLATED
FRONT EMI SPRING FINGERS: 0.10mm THICK COPPER ALLOY, NICKEL PLATED
BELLY PCB GASKET: COATED POLYIMIDE
2. PORTS ARE DESIGNED FOR zSFP+, SFP+, AND SFP TRANSCEIVERS
3. OPTIONAL LIGHTPIPE ASSEMBLY AVAILABLE
4. NO RoHS EXEMPTIONS
5. PRESS FIT LEGS:
1.57mm MINIMUM PCB THICKNESS FOR SINGLE SIDED USE
3.00mm MINIMUM PCB THICKNESS FOR BELLY TO BELLY USE
6. WELD SPOTS WILL SHOW SLIGHT MATERIAL DISCOLORATION

DATE	WEEK/YEAR DATE CODE
WK	01 THRU 52. EXAMPLE: 01 = FIRST WEEK OF YEAR, 52 = LAST WEEK OF YEAR
YR	16, 17, 18, ETC. EXAMPLE: YEAR 2016 = 16

QUALITY SYMBOLS ▽ = 0 ▽ = 0 ▽ = 0 ▼ = 0 ▽ = 0 ⊗ = 0 ■ = 0 ▽ = 0	THIS DRAWING CONTAINS INFORMATION THAT IS PROPRIETARY TO MOLEX ELECTRONIC TECHNOLOGIES, LLC AND SHOULD NOT BE USED WITHOUT WRITTEN PERMISSION	EC NO: 103025 DRWN: PGSHETTY CHKD: RCHEN08 REV / APPR: RCHEN08	GENERAL TOLERANCES (UNLESS SPECIFIED) ANGULAR TOL ± 1.0 ° 4 PLACES ± 3 PLACES ± 2 PLACES ± 1 PLACE ± 0 PLACES ± DRAFT WHERE APPLICABLE MUST REMAIN WITHIN DIMENSIONS	DIMENSION UNITS	SCALE	
				mm	2.5:1	
				DRWN BY	DATE	
				PGSHETTY	2016/02/08	
CHKD BY	DATE	PRODUCT CUSTOMER DRAWING				
EWANG07						
APPR BY	DATE	SERIES	MATERIAL NUMBER	CUSTOMER		
RCHEN08	2016/02/19	111111	1111110420			
DRAWING SIZE	THIRD ANGLE PROJECTION	DOCUMENT NUMBER	DOC TYPE	DOC PART	SHEET NUMBER	
C		1111110420	PSD	ASY	1 OF 5	

PCB LAYOUT FOR SINGLE SIDE MOUNT

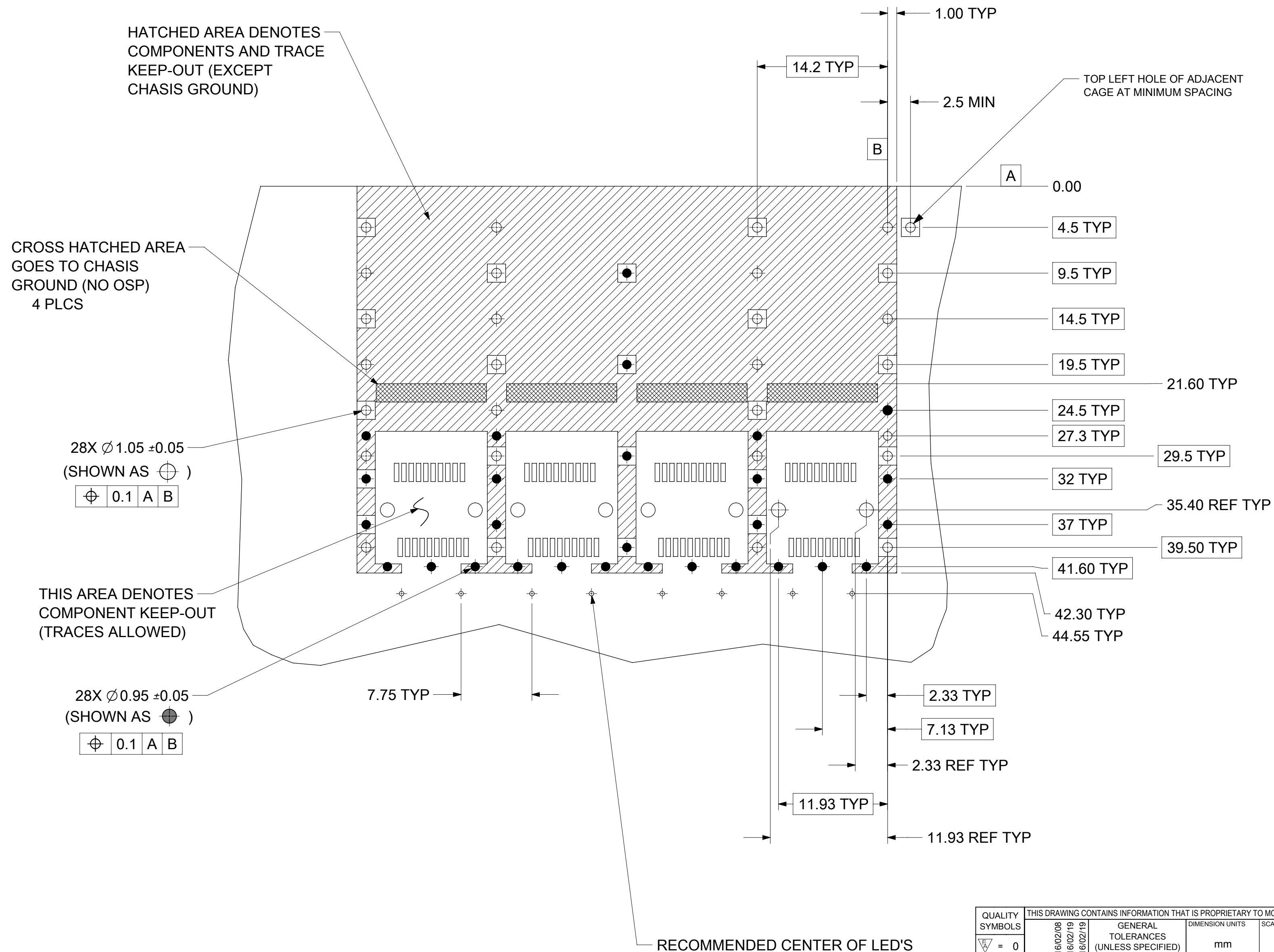


NOTES :

1. PADS AND VIAS CONNECT TO CHASSIS GROUND (RECOMMEND PADS TO BE 2.00mm SQUARE)
2. RECOMMENDED THRU HOLE PLATING INCLUDES HASL, OSP, OR IMMERSION (GOLD, SILVER, OR TIN)
3. CONNECTOR PAD LAYOUT WILL ACCOMMODATE MOLEX CONNECTOR SERIES 170382 OR EQUIVALENT
4. HOLE PATTERN REPEATS FOR EACH PORT. SPACING BETWEEN PORTS IS 14.25mm

QUALITY SYMBOLS		THIS DRAWING CONTAINS INFORMATION THAT IS PROPRIETARY TO MOLEX ELECTRONIC TECHNOLOGIES, LLC AND SHOULD NOT BE USED WITHOUT WRITTEN PERMISSION											
∇ = 0	SEE REVISION TABLE EC NO: 103925 DRWN: PGSHETTY CHKD: RCHEN08 REV / APPR: RCHEN08 2016/02/08 2016/02/19 2016/02/19	GENERAL TOLERANCES (UNLESS SPECIFIED)				DIMENSION UNITS		SCALE					
∇ = 0		ANGULAR TOL $\pm 1.0^\circ$				mm		1:1					
∇ = 0		4 PLACES \pm				DRWN BY		DATE		ZSFP+ 1X4 CAGE WITH BELLY PCB GASKETS			
∇ = 0		3 PLACES \pm				PGSHETTY		2016/02/08					
∇ = 0		2 PLACES \pm				CHKD BY		DATE		PRODUCT CUSTOMER DRAWING			
∇ = 0		1 PLACE \pm				EWANG07							
\boxtimes = 0		0 PLACES \pm				APPR BY		DATE		SERIES: 111111 MATERIAL NUMBER: 1111110420 CUSTOMER:			
\blacksquare = 0		DRAFT WHERE APPLICABLE MUST REMAIN WITHIN DIMENSIONS				RCHEN08		2016/02/19					
∇ = 0		DRAWING SIZE		THIRD ANGLE PROJECTION		DOCUMENT NUMBER		DOC TYPE		DOC PART		SHEET NUMBER	
A		C		1111110420		PSD		ASY		2 OF 5			

PCB LAYOUT FOR BELLY TO BELLY MOUNTING



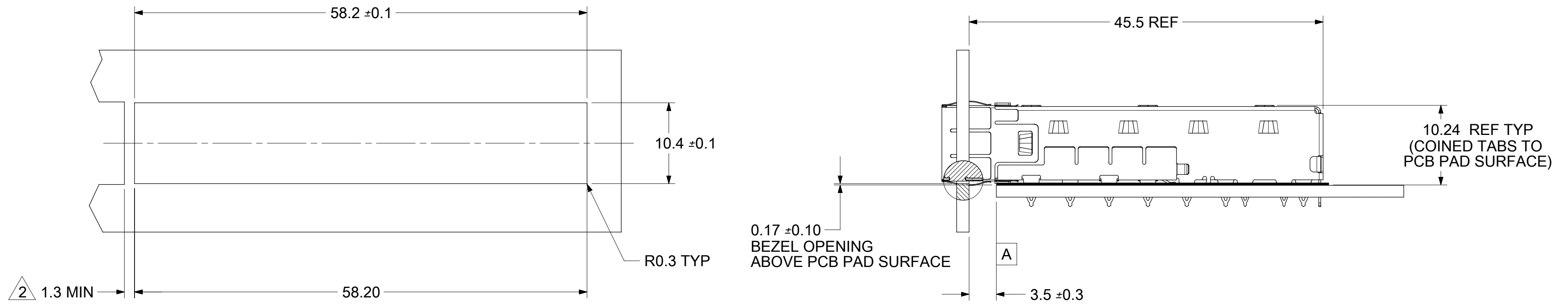
NOTE:
SEE SHEET 2 FOR
HOST CONNECTOR DETAIL

NOTES (UNLESS OTHERWISE SPECIFIED):

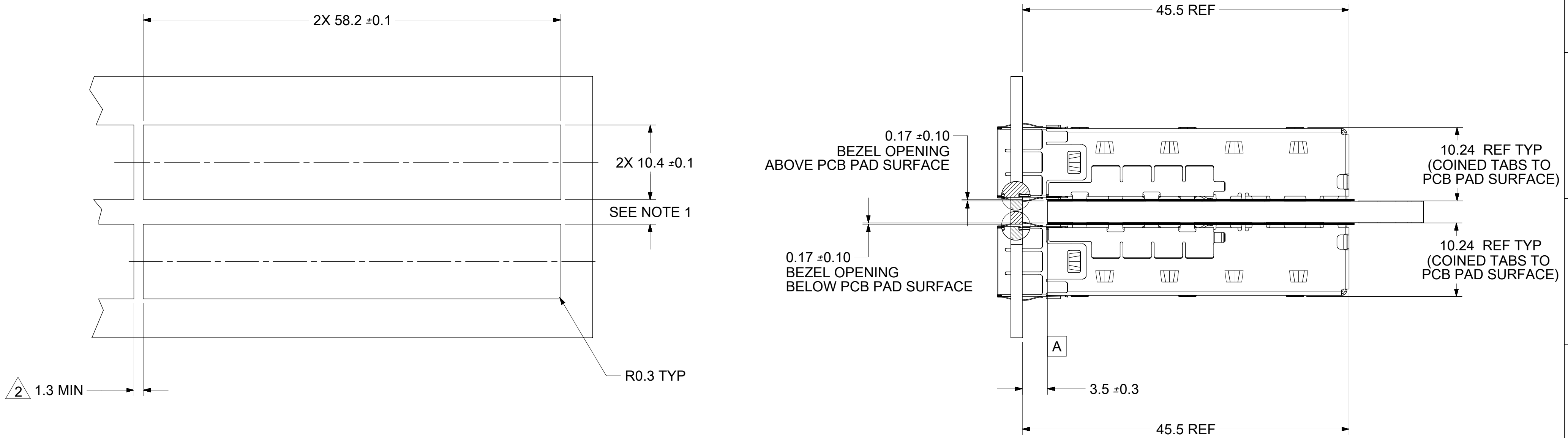
1. PADS AND VIAS CONNECT TO CHASSIS GROUND (RECOMMEND PADS TO BE 2.00mm SQUARE)
2. RECOMMENDED THRU HOLE PLATING INCLUDES HASL, OSP, OR IMMERSION (GOLD, SILVER, OR TIN)
3. CONNECTOR PAD LAYOUT WILL ACCOMMODATE MOLEX CONNECTOR SERIES 170382 OR EQUIVALENT
4. HOLE PATTERN REPEATS FOR EACH PORT. SPACING BETWEEN PORTS IS 14.25mm

QUALITY SYMBOLS	THIS DRAWING CONTAINS INFORMATION THAT IS PROPRIETARY TO MOLEX ELECTRONIC TECHNOLOGIES, LLC AND SHOULD NOT BE USED WITHOUT WRITTEN PERMISSION		DIMENSION UNITS		SCALE	molex		
∇ = 0	GENERAL TOLERANCES (UNLESS SPECIFIED)		mm		1:1			
∇ = 0	SEE REVISION TABLE EC NO: 103025 DRWN: PGSHETTY CHKD: RCHEN08 REV / APPR: RCHEN08 2016/02/19 2016/02/19 2016/02/19	ANGULAR TOL $\pm 1.0^\circ$		DRWN BY		DATE		
∇ = 0		4 PLACES \pm		PGSHETTY		2016/02/08		
∇ = 0		3 PLACES \pm		CHKD BY		DATE		
∇ = 0		2 PLACES \pm		EWANG07				
∇ = 0		1 PLACE \pm		APPR BY		DATE		
\boxtimes = 0	0 PLACES \pm		RCHEN08		2016/02/19		PRODUCT CUSTOMER DRAWING	
\blacksquare = 0	DRAFT WHERE APPLICABLE MUST REMAIN WITHIN DIMENSIONS		DRAWING SIZE		THIRD ANGLE PROJECTION		SERIES	
∇ = 0	A		C		111111		MATERIAL NUMBER	
					1111110420		CUSTOMER	
					1111110420		DOC TYPE	
					PSD		DOC PART	
					ASY		SHEET NUMBER	
					3 OF 5			

BEZEL AND BOARD POSITION DIMENSIONS FOR SINGLE SIDE MOUNTING (SPRING FINGERS)



BEZEL AND BOARD POSITION DIMENSIONS FOR BELLY TO BELLY MOUNTING (SPRING FINGERS)



- NOTES :**
- PCB THICKNESS VARIATION MUST BE CONSIDERED WHEN DETERMINING BEZEL OPENING SIZE AND LOCATION
 - THIS DIM IS FOR REF ONLY USER CAN MODIFY IT DEPENDS ON APPLICATION, HOLE OF ADJACENT CAGE ON PCB LAYOUT VARIES BASED ON MODIFICATION.

QUALITY SYMBOLS		THIS DRAWING CONTAINS INFORMATION THAT IS PROPRIETARY TO MOLEX ELECTRONIC TECHNOLOGIES, LLC AND SHOULD NOT BE USED WITHOUT WRITTEN PERMISSION									
▽ = 0	▽ = 0	SEE REVISION TABLE EC NO: 103025 DRWN: PGSHETTY CHKD: RCHEN08 REV / APPR: RCHEN08	GENERAL TOLERANCES (UNLESS SPECIFIED)			DIMENSION UNITS	SCALE				
▽ = 0	▽ = 0		ANGULAR TOL ± 1.0 °			mm	2.5:1				
▽ = 0	▽ = 0		4 PLACES ±			DRWN BY	DATE	ZSFP+ 1X4 CAGE WITH BELLY PCB GASKETS			
▽ = 0	▽ = 0		3 PLACES ±			PGSHETTY	2016/02/08				
▽ = 0	▽ = 0		2 PLACES ±			CHKD BY	DATE	PRODUCT CUSTOMER DRAWING			
▽ = 0	▽ = 0	1 PLACE ±			EWANG07						
▽ = 0	▽ = 0	0 PLACES ±			RCHEN08	2016/02/19	SERIES	MATERIAL NUMBER	CUSTOMER		
▽ = 0	▽ = 0	DRAFT WHERE APPLICABLE MUST REMAIN WITHIN DIMENSIONS			DRAWING SIZE	THIRD ANGLE PROJECTION	111111	1111110420			
▽ = 0	▽ = 0	A	C				DOCUMENT NUMBER	1111110420	DOC TYPE	DOC PART	SHEET NUMBER
								PSD	ASY		4 OF 5

DATE	REV	DESCRIPTION
2016/02/15	A	INITIAL RELEASE (REMOVE 1111110420 FROM SD-111112-2420)

QUALITY SYMBOLS		THIS DRAWING CONTAINS INFORMATION THAT IS PROPRIETARY TO MOLEX ELECTRONIC TECHNOLOGIES, LLC AND SHOULD NOT BE USED WITHOUT WRITTEN PERMISSION										
▽ = 0	SEE REVISION TABLE EC NO: 103025 DRWN: PGSHETTY CHKD: RCHEN08 REV / APPR: RCHEN08	GENERAL TOLERANCES (UNLESS SPECIFIED)				DIMENSION UNITS	SCALE	molex				
▽ = 0		ANGULAR TOL ± 1.0 °				mm	1:1					
▽ = 0		4 PLACES ±		PGSHETTY		DATE	ZSFP+ 1X4 CAGE WITH BELLY PCB GASKETS					
▽ = 0		3 PLACES ±		CHKD BY		DATE						
▼ = 0		2 PLACES ±		EWANG07		PRODUCT CUSTOMER DRAWING						
▽ = 0		1 PLACE ±		APPR BY						DATE		
⊠ = 0		0 PLACES ±		RCHEN08		2016/02/19	SERIES MATERIAL NUMBER CUSTOMER 111111 1111110420					
■ = 0		DRAFT WHERE APPLICABLE MUST REMAIN WITHIN DIMENSIONS				DRAWING SIZE					THIRD ANGLE PROJECTION	
▽ = 0		A	C	C		C		DOCUMENT NUMBER		DOC TYPE	DOC PART	SHEET NUMBER
								1111110420	PSD	ASY	5 OF 5	