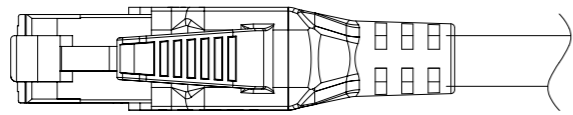
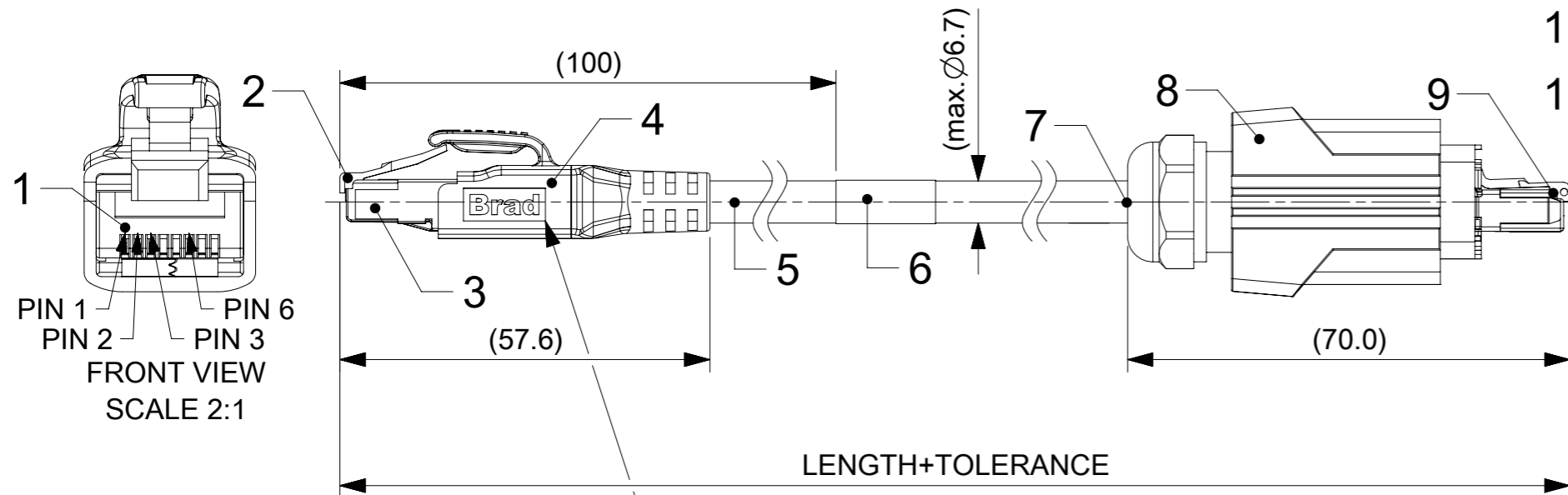
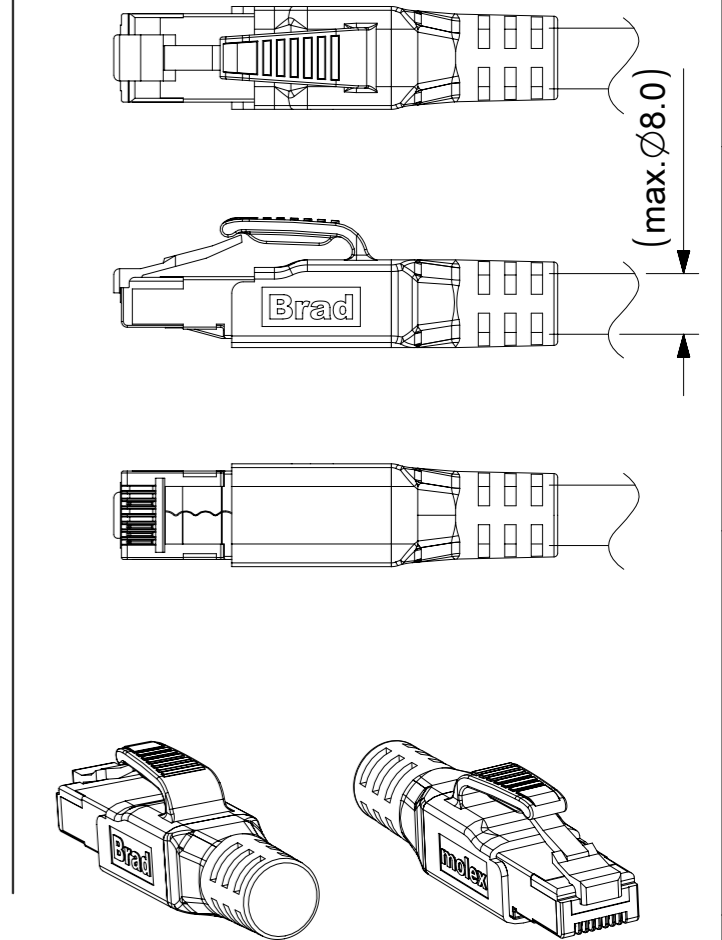


MALE PLUG RJ45 STRAIGHT TO PLUG RJ45 PUSH-PULL STRAIGHT

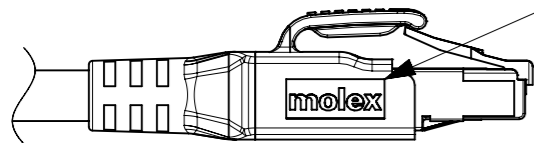
OVERMOLD VIEW FOR CABLES O.D. ≤ 6.7mm



OVERMOLD VIEW FOR CABLES O.D. ≥ 6.7mm



BLACK OVERMOULD
MOLEX LOGO ON ONE SIDE
BRAD LOGO ON OTHER SIDE



WIRING DIAGRAM



NOTES:

- MATERIAL : SEE BOM TABLE
- FINISHES : SEE BOM TABLE
- ELECTRICAL DATA:
MAX. VOLTAGE RATING 30 V
MAX. CURRENT PER CONTACT 1.5 A
- ENVIRONMENTAL:
STATIC OPERATING TEMP. : -25°C to +85°C
INDEX OF PROTECTION : IP20
- FOR MORE INFORMATION SEE PRODUCT SPECIFICATION 1201080202 PS P00

BOM

| ITEM | QTY. | DESCRIPTION | MATERIAL | FINISH |
|------|--------|-----------------------|-----------------|------------------|
| 11 | 8 | CONTACTS | COPPER ALLOY | GOLD OVER NICKEL |
| 10 | 1 | SEAL | NBR | --- |
| 9 | 1 | CONTACT CARRIER | PC | --- |
| 8 | 1 | HOUSING | ZINC DIE-CAST | NICKEL |
| 7 | 1 | SEAL CABLE | TPE | --- |
| 6 | 1 | LABEL | VINYL | --- |
| 5 | - | CABLE | SEE SHEET 2 | --- |
| 4 | - | OVERMOULDING BLACK | TPU | --- |
| 3 | 1 | SHIELD | BRASS | TIN |
| 2 | 1 | PLUG RJ45 TRANSPARENT | POLYCARBONATE | --- |
| 1 | 4 or 8 | CONTACT RJ45 MALE | PHOSPHOR BRONZE | SELECTIVE GOLD |

| | | | | | | | |
|--|---------------------------------------|---|------------|-------------------|------------------|----------------------------|--|
| FUNCTIONAL SYMBOLS | | THIS DRAWING CONTAINS INFORMATION THAT IS PROPRIETARY TO MOLEX ELECTRONIC TECHNOLOGIES, LLC AND SHOULD NOT BE USED WITHOUT WRITTEN PERMISSION | | CURRENT REV DESC: | | | |
| ▽A = 0 | mm | SCALE | 1:1 | EC NO: 672185 | | | |
| ▽E = 0 | GENERAL TOLERANCES (UNLESS SPECIFIED) | | 4 PLACES ± | | DRWN: JMARSZALEK | 2016/10/11 | |
| ▽V = 0 | ANGULAR TOL ± 1.0° | | 3 PLACES ± | | CHK'D: RSILLER | 2021/09/20 | |
| DIVISIONAL SYMBOLS | | 2 PLACES ± 0.05 | | APPR: RSILLER | | 2021/09/20 | |
| | | 1 PLACE ± 0.3 | | INITIAL REVISION: | | DOCUMENT NUMBER | |
| | | 0 PLACES ± 0.5 | | DRWN: JMARSZALEK | | 1201080205 | |
| DRAFT WHERE APPLICABLE MUST REMAIN WITHIN DIMENSIONS | | THIRD ANGLE PROJECTION | | SERIES | | DOC TYPE DOC PART REVISION | |
| | | DRAWING | | MATERIAL NUMBER | | PSD 000 A | |
| | | A3-SIZE | | CUSTOMER | | GENERAL MARKET | |
| | | 120108 | | SHEET NUMBER | | 1 OF 2 | |

NUMERICAL CODE (Available parts see PART LIST table. Other parts available upon request).

OPTIONS

E 6 7 A 0 6 0 X X M X X X X

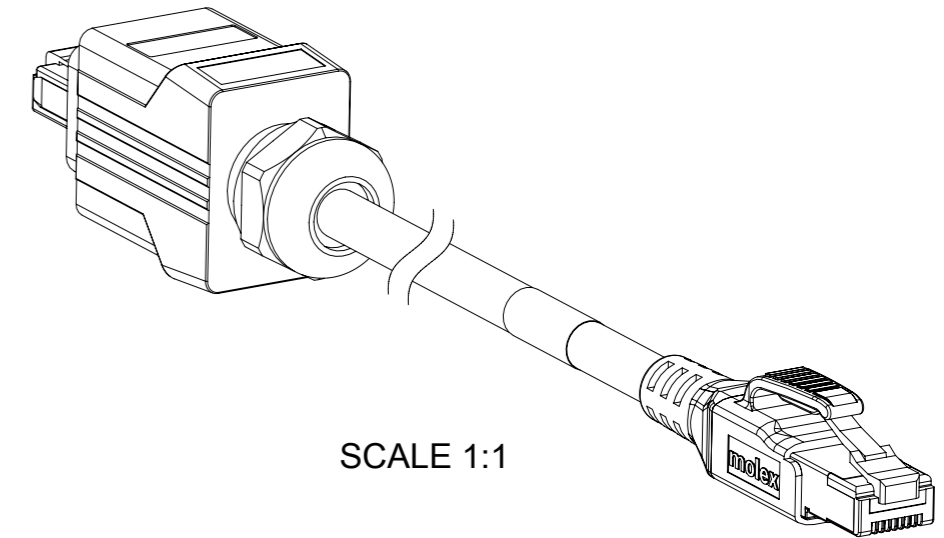
- E=Ethernet
- Heads:
6=RJ45
7=RJ45
PUSH-PULL
- Wiring type
- Heads style:
060=MA M12 STR
/ RJ45 Plug STR
- Cable type:
See cable table
- Units:
M=Meter
- Length
Examples:
005=0.5 units
010=1 units
150=15 units
- H= 2 pcs. of I/D Carrier

CABLE INFORMATION (for more information see Cable Data Sheet).

| CABLE TYPE | CABLE O.D. | APPLICATION | CROSS SECTION | CABLE JACKET | UL | TEMP. RANGE STATIC BENDING RADIUS STATIC | TEMP. RANGE DYNAMIC BENDING RADIUS DYNAMIC | CYCLES | ADDITIONAL INFORMATION |
|------------|------------|-----------------|---------------|-----------------|-------------|--|--|--|------------------------|
| 11 | 6.8mm | PROFINET TYPE C | 22AWG | PUR GREEN | STYLE 20549 | -40°C to +80°C / min.5xO.D. | -20°C to +70°C / min.7.5xO.D. | up to 5 Mio | - |
| 12 | 6.7mm | PROFINET TYPE B | 22AWG | TPU BASED GREEN | STYLE 21215 | -40°C to +80°C / min.5xO.D. | -25°C to +80°C / min.15xO.D. | about 2M, min.15xO.D., -5°C to +60°C | WSOR |
| 16 | 6.5mm | - | 24AWG | TPU BASED TEAL | STYLE 21215 | -40°C to +80°C / min.6xO.D. | -20°C to +50°C | 1M, min.10xO.D. / 2M min.20xO.D. @20°C | WSOR |

PART LIST

| No. | MOLEX P/N | ENGINEERING NO. | CABLE LENGTH |
|-----|------------|-----------------|--------------|
| 1 | 1201080205 | E67A06011M020 | 2m |
| 2 | 1201080218 | E67A06011M030 | 3m |
| 3 | 1201080219 | E67A06011M040 | 4m |
| 4 | 1201080220 | E67A06011M050 | 5m |
| 5 | 1201080225 | E67A06011M150 | 15m |
| 6 | 1201080226 | E67A06011M340 | 34m |
| 7 | 1201080227 | E67A06011M350 | 35m |
| 8 | 1201080228 | E67A06011M160 | 16m |
| 9 | 1201080229 | E67A06011M170 | 17m |
| 10 | 1201080230 | E67A06011M180 | 18m |
| 11 | 1201080231 | E67A06011M200 | 20m |
| 12 | 1201080232 | E67A06011M250 | 25m |
| 13 | 1201080233 | E67A06011M300 | 30m |
| 14 | 1201080234 | E67A06011M400 | 40m |
| 15 | 1201080235 | E67A06011M450 | 45m |
| 16 | | | |
| 17 | | | |
| 18 | | | |
| 19 | | | |
| 20 | | | |
| 21 | | | |
| 22 | | | |
| 23 | | | |
| 24 | | | |
| 25 | | | |



CABLE LENGTH TOLERANCES

| LENGTH | TOLERANCE |
|------------|------------|
| 0 m-1 m | +40 mm |
| >1 m-5 m | +60 mm |
| >5 m-10 m | +80 mm |
| >10 m-20 m | +140 mm |
| >20 m-30 m | +160 mm |
| >30 m | +1% length |

| | | |
|--|---|---------------------------------------|
| FUNCTIONAL SYMBOLS | THIS DRAWING CONTAINS INFORMATION THAT IS PROPRIETARY TO MOLEX ELECTRONIC TECHNOLOGIES, LLC AND SHOULD NOT BE USED WITHOUT WRITTEN PERMISSION | |
| △/A = 0 | DIMENSION UNITS: mm | SCALE: 1:1 |
| △/E = 0 | GENERAL TOLERANCES (UNLESS SPECIFIED) | |
| △/V = 0 | ANGULAR TOL ± 1.0° | |
| DIVISIONAL SYMBOLS | CURRENT REV DESC: | |
| | EC NO: 672185 | |
| | DRWN: JMARSZALEK | 2016/10/11 |
| | CHK'D: RSILLER | 2021/09/20 |
| | APPR: RSILLER | 2021/09/20 |
| | INITIAL REVISION: | |
| | DRWN: JMARSZALEK | 2016/03/08 |
| | APPR: RSILLER | 2021/09/20 |
| DRAFT WHERE APPLICABLE MUST REMAIN WITHIN DIMENSIONS | | THIRD ANGLE PROJECTION |
| | | DRAWING: A3-SIZE |
| | | SERIES: 120108 |
| | | MATERIAL NUMBER: SEE PART LIST |
| | | CUSTOMER: GENERAL MARKET |
| | | SHEET NUMBER: 2 OF 2 |

molex

CSE RJ45 PUSH-PULL RJ45 8P4C MA STR MA

PRODUCT CUSTOMER DRAWING

DOCUMENT NUMBER: **1201080205** | DOC TYPE: **PSD** | DOC PART: **000** | REVISION: **A**