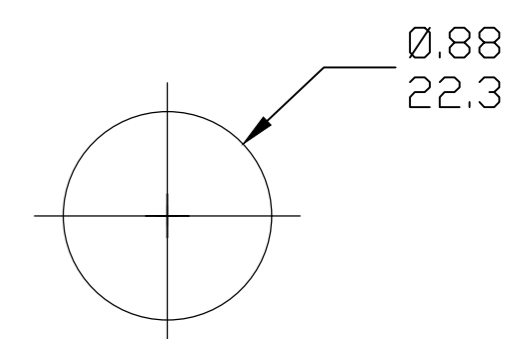


CABLE LENGTH TOLERANCES	
>.3M [1FT]:	+19mm-0 [+.75in-0]
.3 - .9M [1 - 3FT]:	+44.5mm-0 [+1.75in-0]
.9 - 1.8M [3 - 6FT]:	+55.6mm-0 [+2.19in-0]
1.8 - 3.7M [6 - 12FT]:	+88.9mm-0 [+3.50in-0]
3.7 - 7.3M [12 - 24FT]:	+165.1mm-0 [+6.50in-0]
7.3-14.6M [24 - 48FT]:	+317.5mm-0 [+12.50in-0]
14.6 - 30.5M [48-100FT]:	+622.3mm-0 [+24.50in-0]
OVER 30M [100FT]	+2% OF FINISHED LENGTH



- NOTES:
1. MATERIAL: AS NOTED
 2. FINISH: AS NOTED
 3. ELECTRICAL:
VOLTAGE: 400V PER IEC 60664
600V PER UL 2238
CURRENT: 8A
 4. TEMP RATING: -20°C TO +105°C
 5. PROTECTION: IP67 (WHEN MATED)
 6. COUPLING THREAD: 7/8-16 UN
 7. UL RECOGNIZED FILE: E152210
CANADIAN RECOGNIZED FILE: LR6837
 8. ALL DIMS ARE FOR REFERENCE UNLESS TOLERANCED OR NOTED OTHERWISE

PART NUMBER LEGEND

1R5000A39M005

FINISHED LENGTH:
A120= 12 IN.
F020= 2 FEET
F100= 10 FEET

M005= 0.5 METER
M010= 1 METER
M100= 10 METER

PART NO.	ENGINEERING NO.	FINISHED LENGTH
1300130431	1R5000A39M005	0.5M [1 FT 8 IN]
1300130432	1R5000A39M010	1.0M [3 FT 3 IN]
1300130433	1R5000A39M020	2.0M [6 FT 7 IN]
1300130434	1R5000A39M030	3.0M [9 FT 10 IN]

ITEM	DESCRIPTION	MATERIAL	FINISH
6	WRAP LABEL	VINYL	BLACK/YELLOW
5	POTTING MATERIAL	EPOXY	
4	WIRE 16AWG (UL1015)	PVC INSULATION	SEE FACE VIEW
3	CONTACT SOCKET	COPPER ALLOY	GOLD PLATED
2	FEMALE INSERT	TPE	YELLOW
1	RECEPTACLE SHELL	DIE-CAST ZINC	NICKEL PLATED

SYMBOLS		THIS DRAWING CONTAINS INFORMATION THAT IS PROPRIETARY TO MOLEX ELECTRONIC TECHNOLOGIES, LLC AND SHOULD NOT BE USED WITHOUT WRITTEN PERMISSION	
▽ = 0	DIMENSION UNITS	SCALE	CURRENT REV DESC: RELEASED
▽ = 0	INCH/MM	1:1	
▽ = 0	GENERAL TOLERANCES (UNLESS SPECIFIED)		
▽ = 0		mm	INCH
▽ = 0	4 PLACES	±----	±----
▽ = 0	3 PLACES	±----	±----
▽ = 0	2 PLACES	±----	±----
▽ = 0	1 PLACE	±----	±----
▽ = 0	0 PLACES	±----	±----
□ = 0	ANGULAR TOL ± ---- °		
▽ = 0	DRAFT WHERE APPLICABLE MUST REMAIN WITHIN DIMENSIONS	THIRD ANGLE PROJECTION	DRAWING
			B-SIZE
		SERIES	130013
		MATERIAL NUMBER	
		CUSTOMER	GENERAL MARKET
		SHEET NUMBER	1 OF 1

molex

MINI-CHANGE RECEPTACLE
5 POLE FEMALE, 16AWG

PRODUCT CUSTOMER DRAWING

DOCUMENT NUMBER: 1300130431 DOC TYPE: PSD DOC PART: 000 REVISION: A