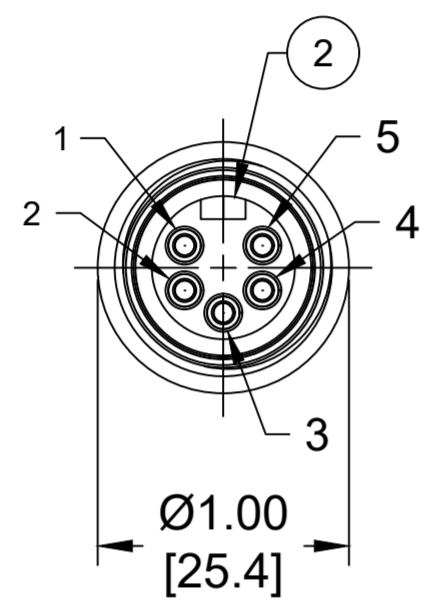
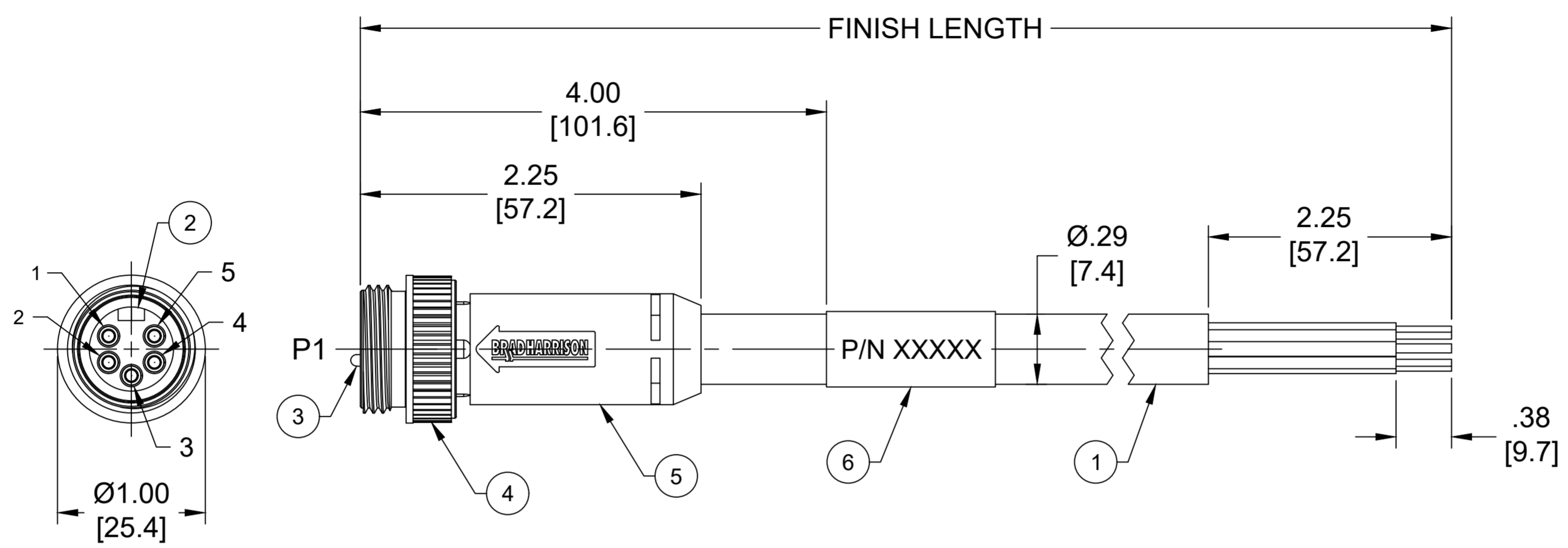
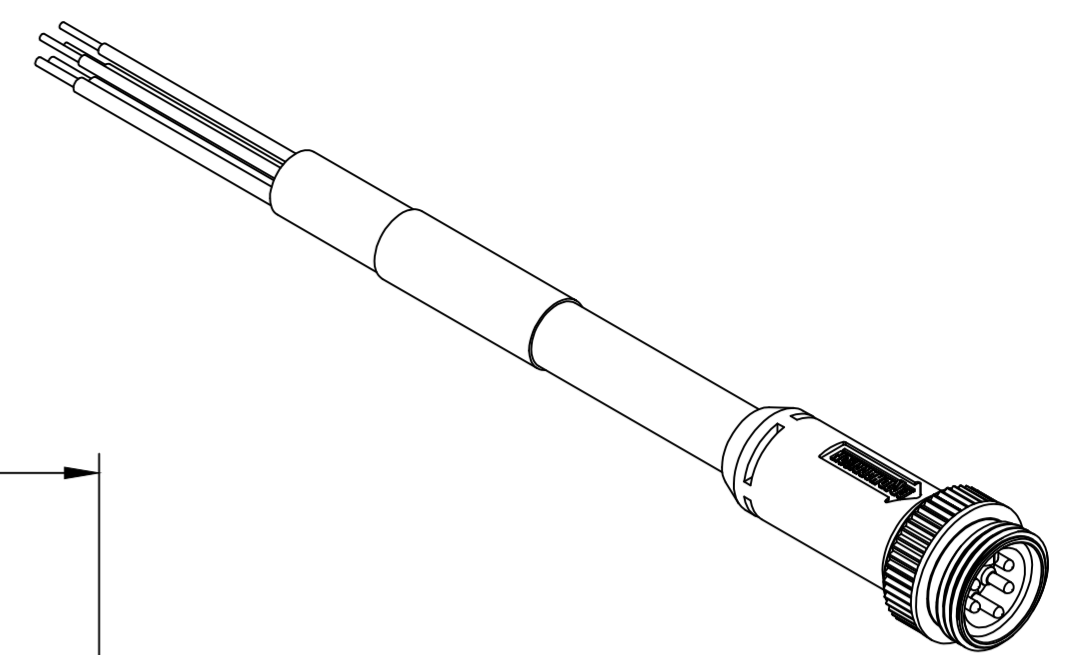


PART NO.	ENGINEERING NO.	FINISHED LENGTH
1300240189	DND01A-M005	0.5M [1FT 8 IN]
1300240198	DND01A-M100	10M [30FT 10 IN]
1300240201	DND01A-M200	20M [65FT 7 IN]

Ⓒ



MALE FACE VIEW

P1	
1	DRAIN
2	RED +V
3	BLACK -V
4	WHITE CAN H
5	BLUE CAN L

WIRING DIAGRAM

- NOTES:
- MATERIAL: AS NOTED
 - FINISH: AS NOTED
 - ELECTRICAL:
VOLTAGE RATING PER IEC60664: 300V
VOLTAGE RATING PER UL: 300V
CURRENT: 4A
 - TEMP RATING: -20° TO +80°C
 - PROTECTION: IP67 (WHEN MATED)
 - COUPLING THREAD: 7/8"-16UN
 - UL RECOGNIZED FILE: E152210
CSA CERTIFIED FILE: LR6837 Ⓒ
 - ALL DIMENSIONS ARE FOR REFERENCE UNLESS TOLERANCED OR NOTED OTHERWISE

PART NUMBER LEGEND Ⓒ

DND01A-M005
 ↓
 CABLE LENGTH
 M005= 0.5 METER
 M010= 1 METER
 M100= 10 METER

Ⓒ CABLE LENGTH TOLERANCES

<.3M [1FT]:	+19mm-0 [+.75in-0]
.3 - .9M [1 - 3FT]:	+44.5mm-0 [+1.75in-0]
.9 - 1.8M [3 - 6FT]:	+55.6mm-0 [+2.19in-0]
1.8 - 3.7M [6 - 12FT]:	+88.9mm-0 [+3.50in-0]
3.7 - 7.3M [12 - 24FT]:	+165.1mm-0 [+6.50in-0]
7.3-14.6M [24 - 48FT]:	+317.5mm-0 [+12.50in-0]
14.6 - 30.5M [48-100FT]:	+622.3mm-0 [+24.50in-0]
OVER 30M [100FT]	+2% OF FINISHED LENGTH

ITEM	COMPONENT	MATERIAL	FINISH
6	WRAP LABEL	VINYL	BLACK/YELLOW
5	OVERMOLD	TPE	GRAY
4	COUPLING NUT	ZINC DIE CAST	BLACK-E-COAT
3	CONTACT PIN	BRASS	GOLD OVER NICKEL
2	INSERT	TPE	BLACK
1	CABLE 22 AWG, DEVICENET	PVC JACKET	GRAY

Ⓒ

Ⓒ

FUNCTIONAL SYMBOLS	THIS DRAWING CONTAINS INFORMATION THAT IS PROPRIETARY TO MOLEX ELECTRONIC TECHNOLOGIES, LLC AND SHOULD NOT BE USED WITHOUT WRITTEN PERMISSION									
	DIMENSION UNITS		SCALE		CURRENT REV DESC: ITEM #2 & #5 WERE PVC. ADDED UL & CSA, P/N LEGEND & TOL CHART. MODIFIED P/N CHART					
DIVISIONAL SYMBOLS	INCH/MM		NTS		EC NO: 720800					
	GENERAL TOLERANCES (UNLESS SPECIFIED)				DRWN: ABENJAMINLW 2022/07/14					
DIVISIONAL SYMBOLS	mm		INCH		CHK'D: RSTONE 2022/09/09					
	4 PLACES ±----		±----		APPR: BWOODMAN 2022/09/09					
3 PLACES ±----		±----		INITIAL REVISION:						
2 PLACES ±----		±----		DRWN: TWOLDEGE 2010/01/06						
1 PLACE ±----		±----		APPR: JFMURPHY 2010/01/20						
0 PLACES ±----		±----		DRAFT WHERE APPLICABLE MUST REMAIN WITHIN DIMENSIONS						
ANGULAR TOL ± ---- °				THIRD ANGLE PROJECTION		DRAWING		SERIES		
				C-SIZE		130024		MATERIAL NUMBER		
				SEE CHART		GENERAL MARKET		SHEET NUMBER		
								1 OF 1		