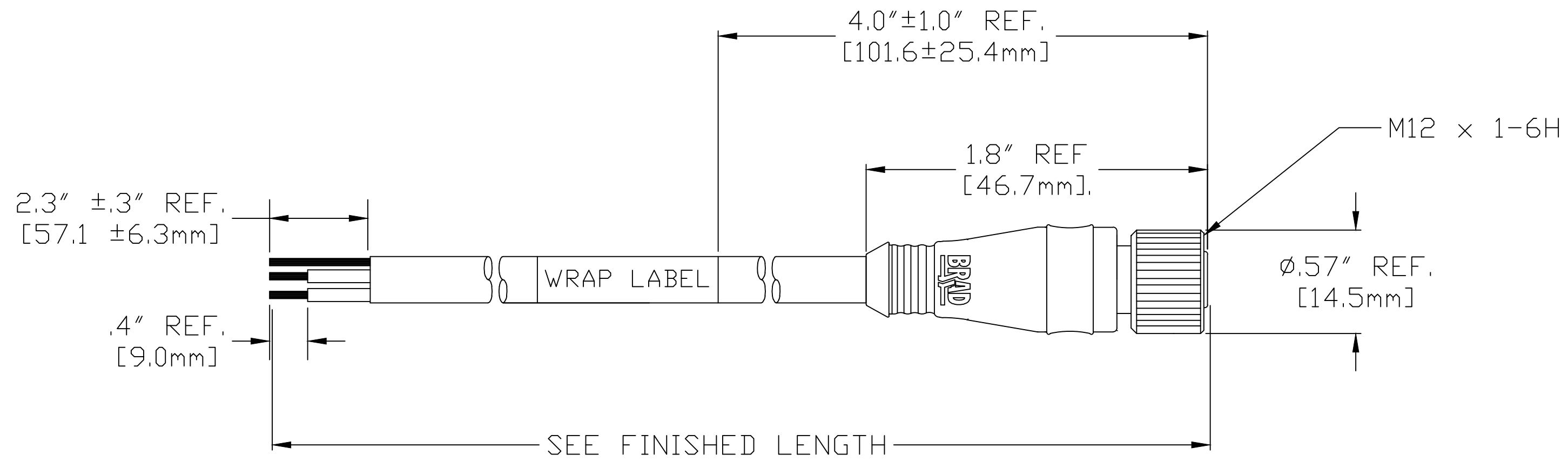


13	12	11	10	9	8	7	6	5	4	3	2	1
<b>MATERIAL NUMBER</b>	<b>OLD PART NUMBER</b>	<b>FINISHED LENGTH</b>										
1300270171	DNDF20A-M010	3.28' +3.50" -0 [1.0M +88.9mm -0]										



### DNDF20A-M010

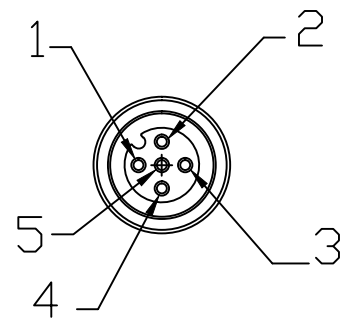
Cable type  
DEVICENET  
FLEX DROP

cable length  
M010----1 Meter  
M100----10 Meter

1	DRAIN
2	RED
3	BLACK
4	WHITE
5	BLUE

WIRING DIAGRAM

FEMALE INSERT  
FRONT VIEW



CONTACT:	GOLD/NICKEL OVER COPPER ALLOY
INSERT:	PVC, GRAY
COUPLING NUT:	ZINC DIE CAST, BLACK E-COATED
MOLDED BODY:	RITFLEX, GRAY
VOLTAGE RATING:	300 VAC/VDC
AMPERAGE RATING:	4 AMPS
PROTECTION:	IP67
OPERATING TEMPERATURE:	-20°C TO 80°C
CERTIFICATIONS:	UL RECOGNIZED FILE NO. E152210 CSA CERTIFIED FILE NO. LR6837

INITIAL RELEASE EC NO: IPG2014-0457 DRWN: GGUSTAFS 2013/08/29 CH'KD: BARDEN APPR: BWOODMAN 2013/10/07 REV A	QUALITY SYMBOL	GENERAL TOLERANCES (UNLESS SPECIFIED)		DIMENSION STYLE	SCALE	DESIGN UNITS	THIRD ANGLE PROJECTION		
	▽=0 ∇=0	mm	INCH	IN/MM	NTS	INCH			
		4 PLACES ±---	±---	IN/MM	DRAWN BY	DATE	TITLE		
		3 PLACES ±---	±.005		EBRACKEN	2013/06/18	MICRO-CHANGE DEVICENET 5 POLE ST FEMALE 22/24 DROP CABLE GRY TPE		
	2 PLACES ±0.13	±.010		CHECKED BY	DATE				
	1 PLACE ±0.25	±.020		BARDEN	2013/09/12				
	ANGULAR ±.5°			APPROVED BY	DATE				
	DRAFT WHERE APPLICABLE MUST REMAIN WITHIN DIMENSIONS			BWOODMAN	2013/10/07	MOLEX INCORPORATED			
				MATERIAL NO.		DOCUMENT NO.	SHEET NO.		
				SEE CHART		SD-130027-008	1 OF 1		
				SIZE C	THIS DRAWING CONTAINS INFORMATION THAT IS PROPRIETARY TO MOLEX INCORPORATED AND SHOULD NOT BE USED WITHOUT WRITTEN PERMISSION				