

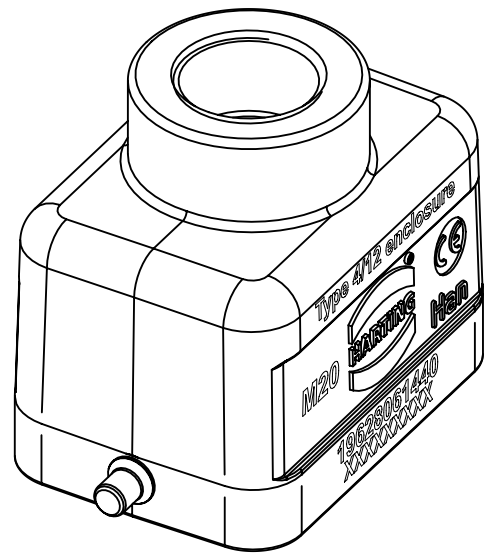
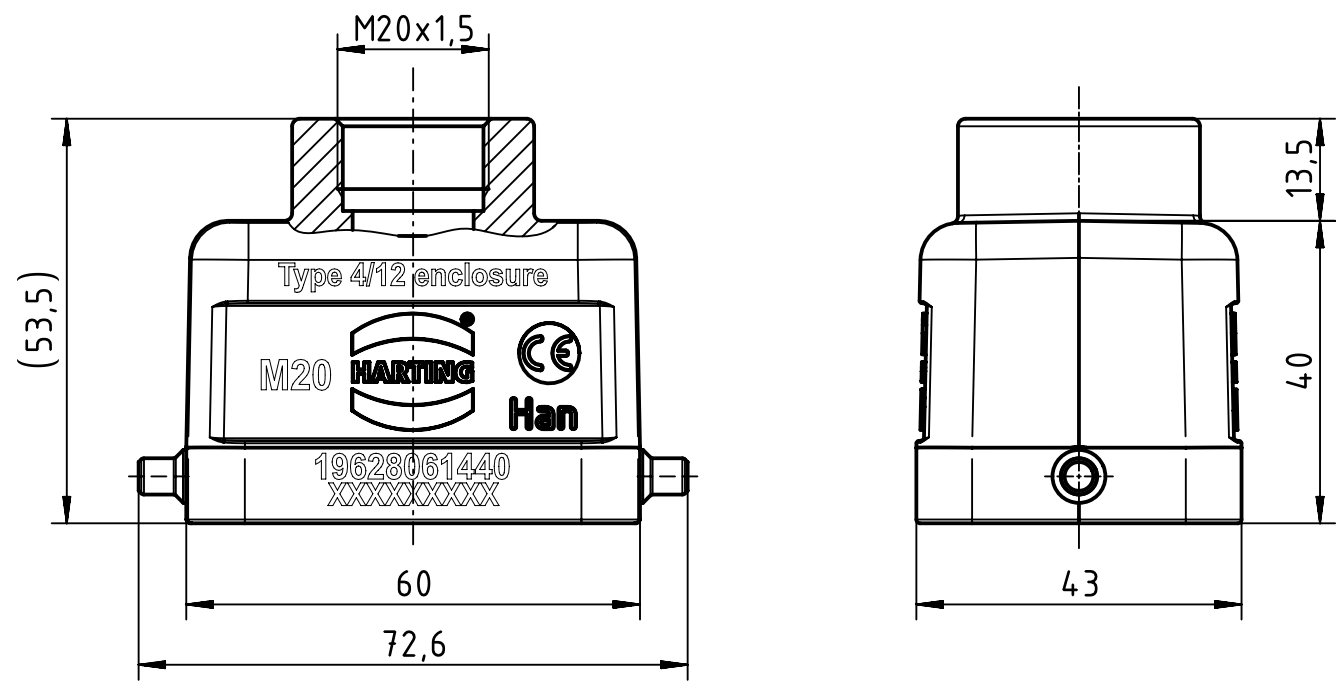
1 2 3 4 5 6

A

B

C

D



	All Dimensions in mm Original Size DIN A4		Scale 1:1	Free size tol.		Ref.
						Sub.
	All rights reserved		Created by HELLMANN	Inspected by GERB	Standardisation TIEMANNA	Date 2019-12-17
	Department EL PD		Title Han 6EMC/B-HTE-M20 (HT)			State Final Release
HARTING Electric GmbH & Co. KG D-32339 Espelkamp			Type TB	Number 19 62 806 1440		Doc-Key / ECM-Nr. 100201542/UGD/004/F 500000162710
					Rev. F	Page 1/1