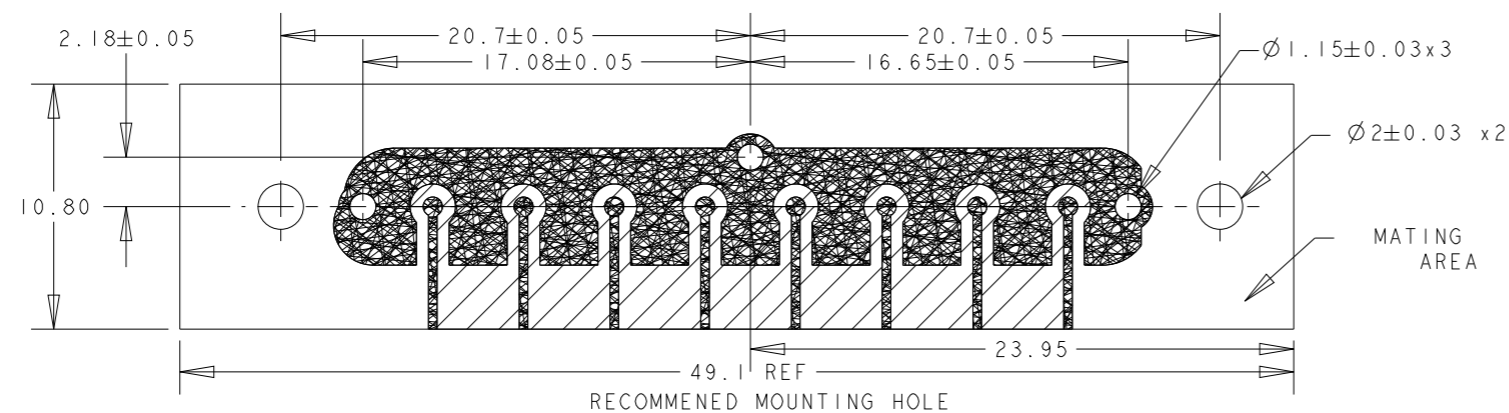
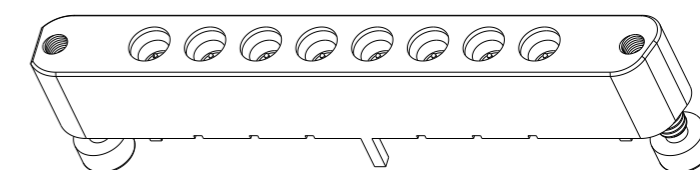
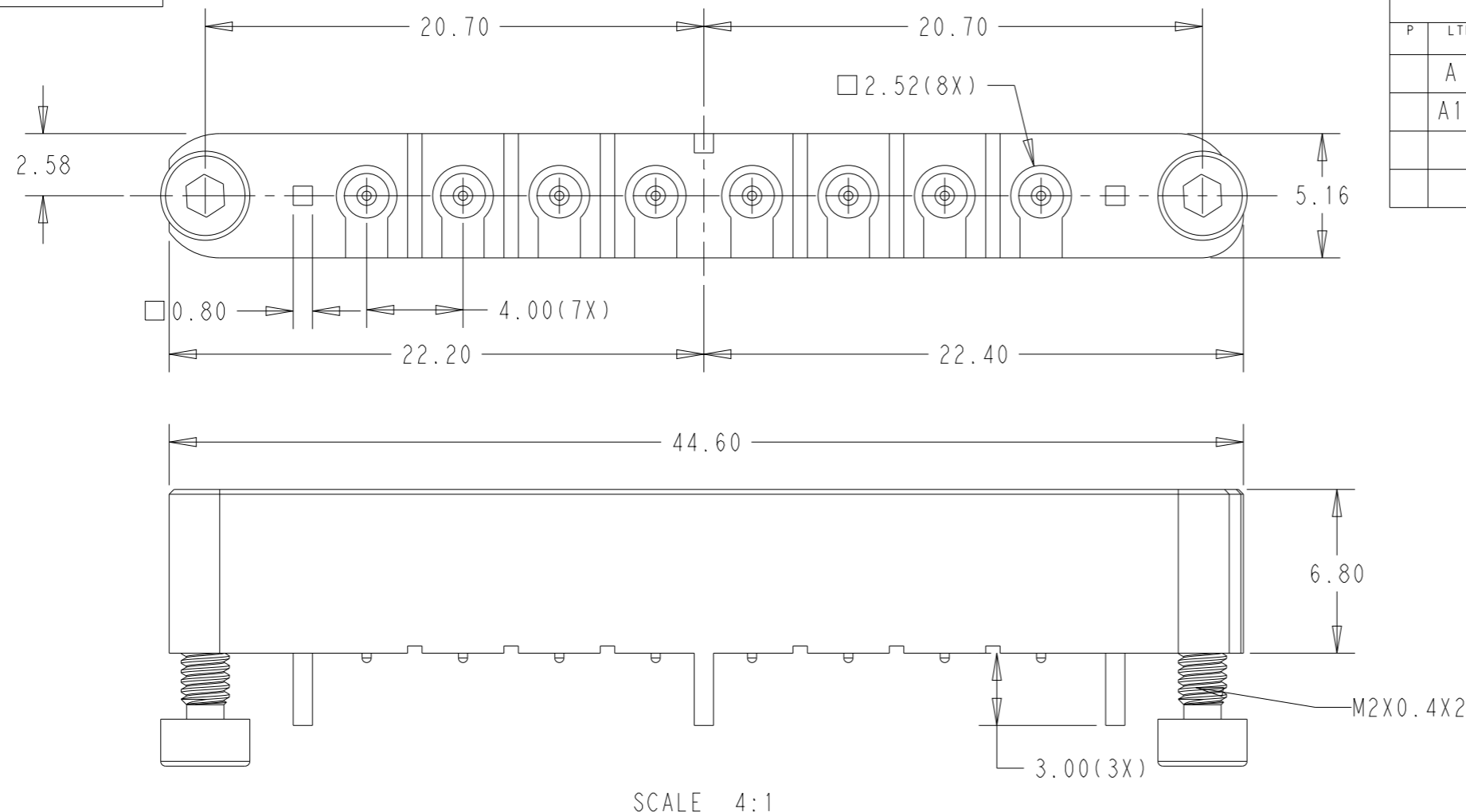


P	LTR	DESCRIPTION	DATE	DWN	APVD
	A	INITIAL CREATED	15MAY2022	CL	WH
	A1		10JUN2022	CL	WH



PART NUMBER 2081408-1

- NOTES:
- MATERIAL AND PROCESSING MUST MEET REQUIREMENTS OF TEC-138-702
 - MATERIAL CHARACTERISTICS:
 - PRODUCT RATING:
 TEMPERATURE: -55°C TO +125°C
 VOLTAGE: 175V(RMS)
 CHARACTERISTIC IMPEDANCE: 50 OHMS Normal
 FREQUENCY RANGE: DC TO 67GHz
 - SMPM INTERFACE MEET IEC61169-60

THIS DRAWING IS A CONTROLLED DOCUMENT.		DWN Cedar Liu 07MAY2022	TE Connectivity		
DIMENSIONS: mm		CHK Cedar Liu 07MAY2022			
TOLERANCES UNLESS OTHERWISE SPECIFIED:		APVD Wenke He	NAME SMPM RECEPTACLE, UP TO 67GHz		
0 PLC ±- 1 PLC ±0.1 2 PLC ±0.01 3 PLC ±0.001 4 PLC ±0.0001 ANGLES ±-		PRODUCT SPEC -	50OHM		
MATERIAL TBD		APPLICATION SPEC -	SIZE A3	CAGE CODE 00779	DRAWING NO C-2081408
FINISH -		WEIGHT -	RESTRICTED TO -		
finish_spec_2		CUSTOMER DRAWING	SCALE 2:1	SHEET 1 OF 1	REV A1