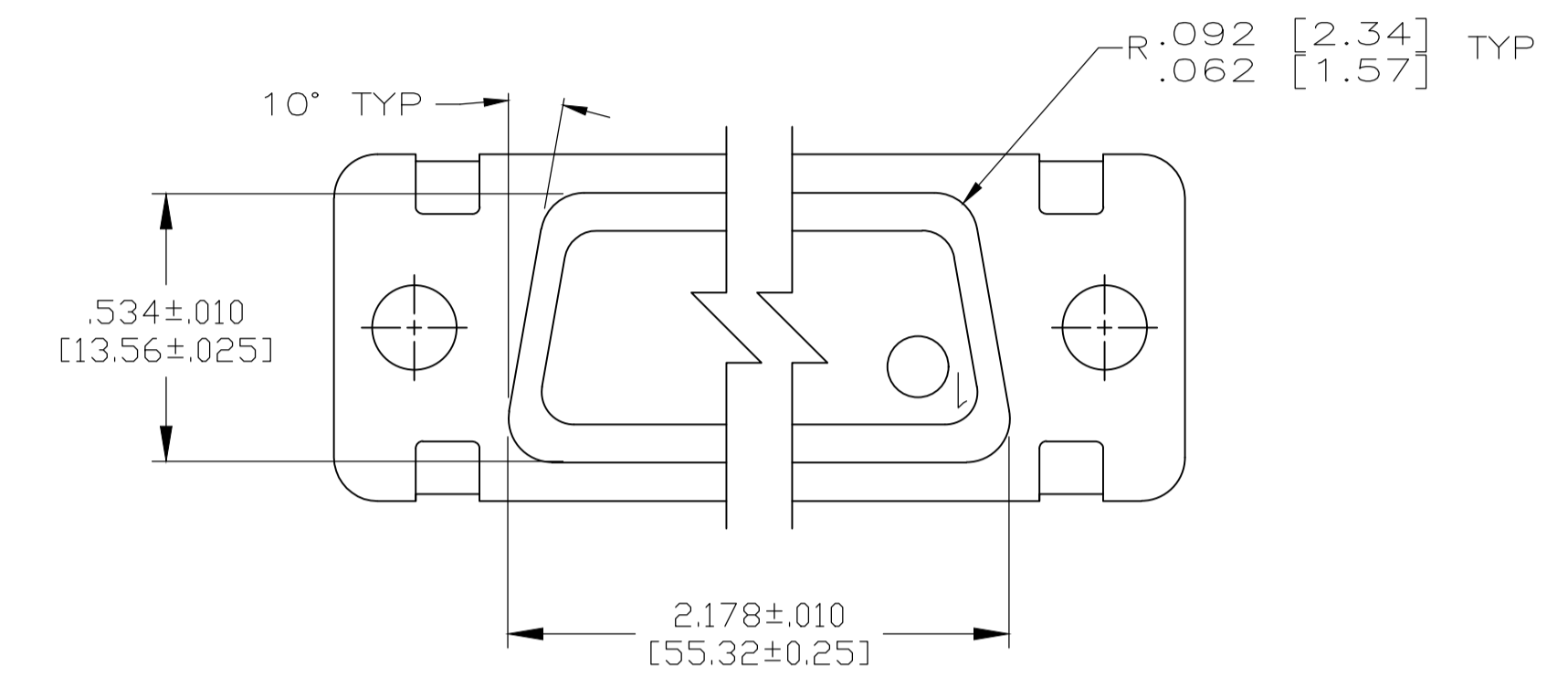
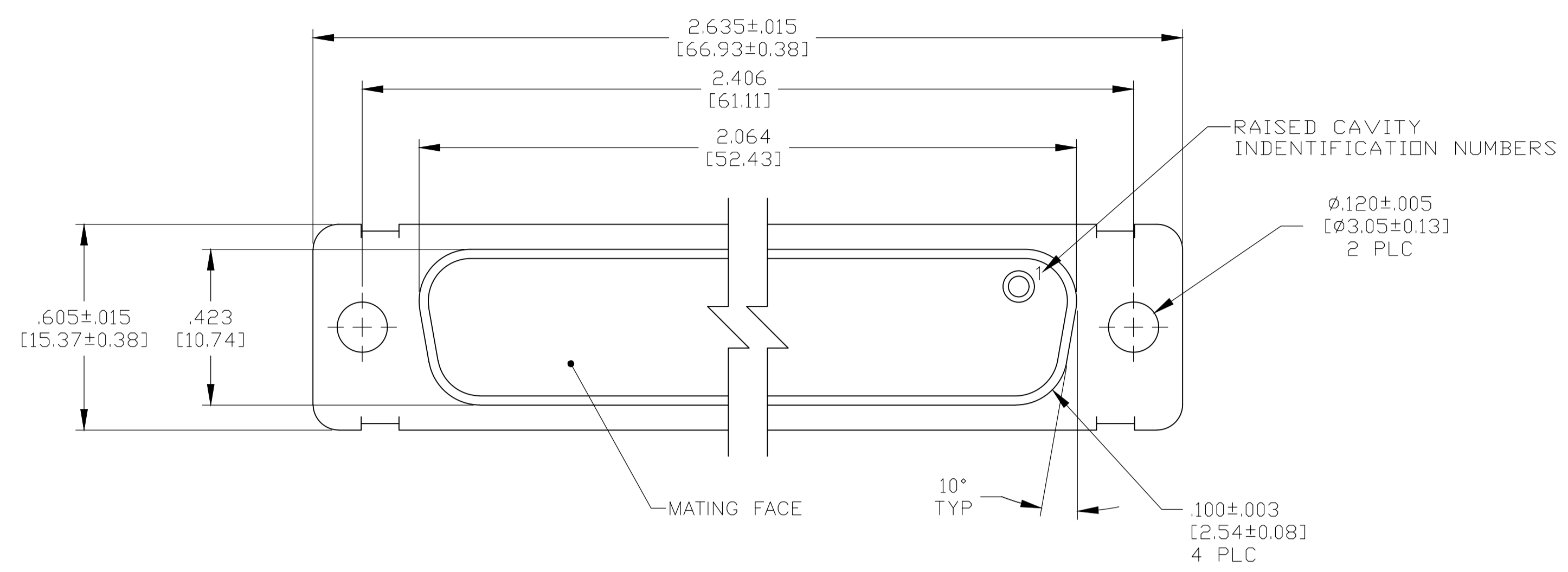
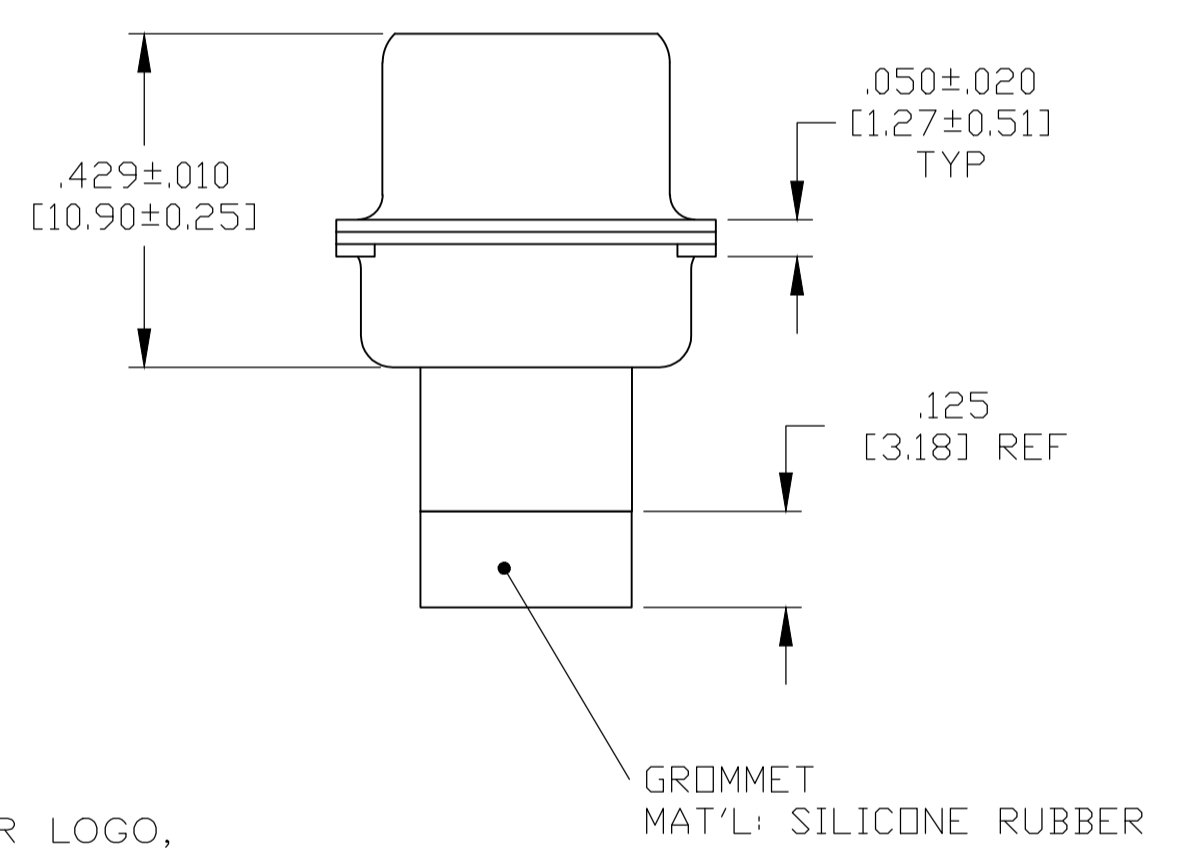
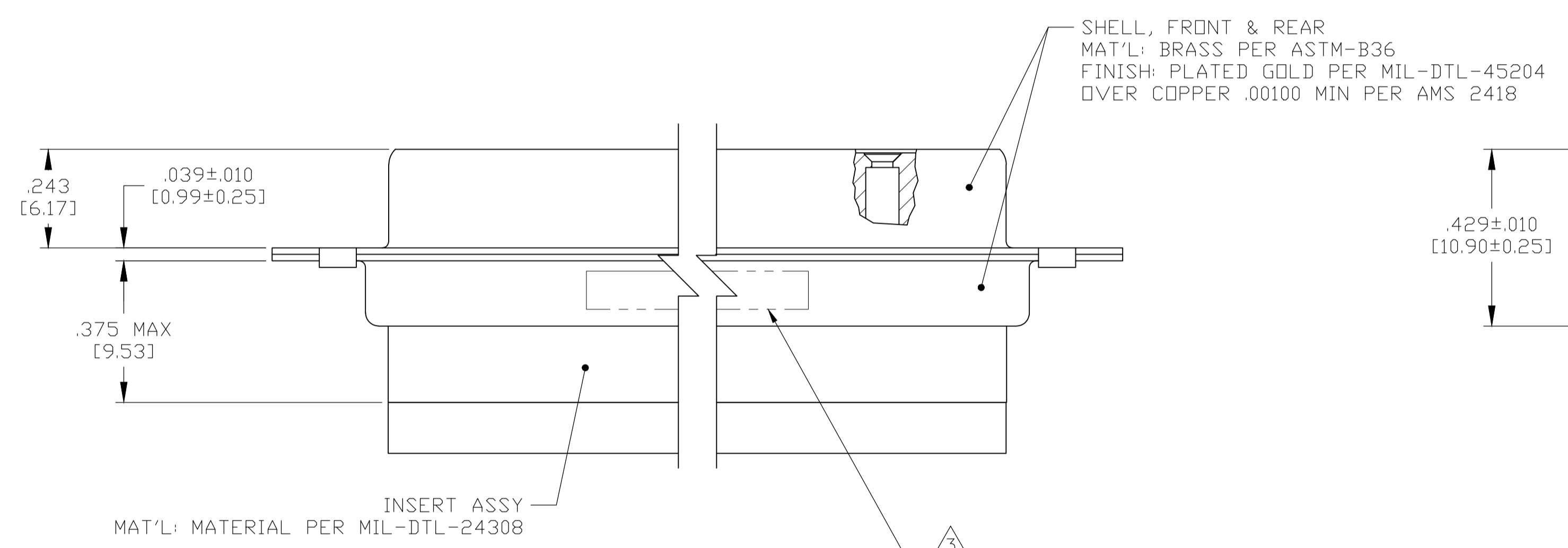


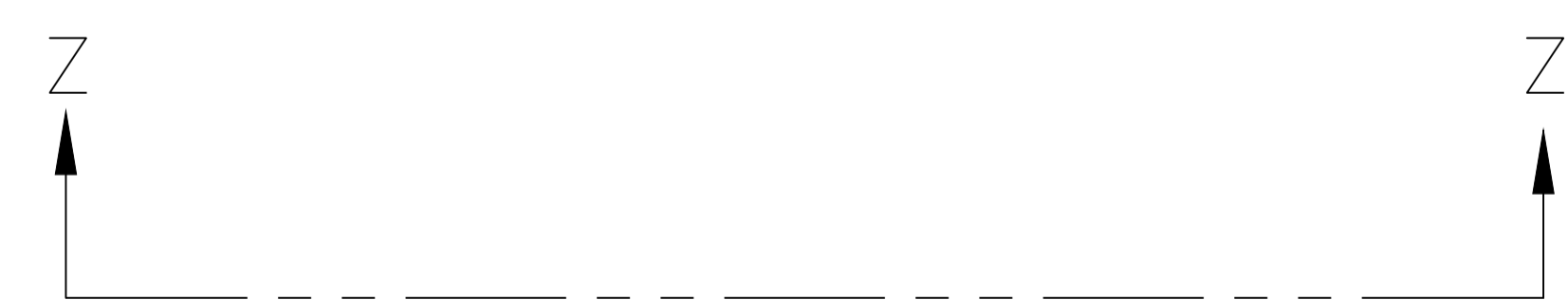
REVISIONS					
P	LTR	DESCRIPTION	DATE	DMN	APVD
K		REVISED PER ECO-20-002743	5-6-20	CT	DM



VIEW Z-Z



- THIS CONNECTOR ASSEMBLY IS SUPPLIED WITH Be Cu CONTACT RETENTION CLIPS INSTALLED IN THE INSERT ASSEMBLY.
- THIS CONNECTOR ASSEMBLY MATES WITH ANY PLUG CONNECTOR WITH THE SAME INSERT ARRANGEMENT AND DIMENSIONAL REQUIREMENTS PER MIL-C-24308.
- MARKED WITH 0.047 [1.19]- 0.062 [1.57] HIGH CHARACTERS. FAR SIDE REFERS TO THE WIDE SIDE OF THE KEYSTONE. NEAR SIDE REFERS TO THE NARROW SIDE OF THE KEYSTONE.
- MAXIMUM WIRE INSULATION TO BE USED WITH THIS CONNECTOR ASSEMBLY IS 0.068 [1.73] DIAMETER.
- SPECIAL REQUIREMENTS PER BOEING 1A01 DOCUMENT.
- BUILT TO ORDER, NO INVENTORY OF THIS PART NUMBER IS TO BE KEPT. SINGLE LOT DATE CODE REQUIRED.



REMARKS	CUSTOMER MARKING	PART NUMBER
$\triangle 6$ $\triangle 5$	1A01-025RHW	1-211637-1
	-	211637-4
$\triangle 7$ --	2A014-040V-001	211637-2
$\triangle 6$ $\triangle 5$	1A01-025RHA	211637-1

THIS DRAWING IS A CONTROLLED DOCUMENT.

DIMENSIONS: INCHES	TOLERANCES UNLESS OTHERWISE SPECIFIED:	DIN MANJUNATH G.M. 27-May-15	CHK CHARLES THOMAS 27-May-15	APVD CHARLES THOMAS 27-May-15	NAME
ϕ	0 PLC ± -				RECEPTACLE ASSEMBLY, AMPLIMITE, 50 POSITION, SIZE 5, SERIES 109, NON-MAGNETIC
	1 PLC ± -				
	2 PLC ± -				
	3 PLC ± .005 [0.13]				
	4 PLC ± -				
	ANGLES ± ± 1°				
MATERIAL SEE CALLOUTS	FINISH SEE CALLOUTS	WEIGHT 0.000000	A1 00779	SCALE 4:1	RESTRICTED TO
			211637	SHEET 1 OF 1	REV K

CUSTOMER DRAWING