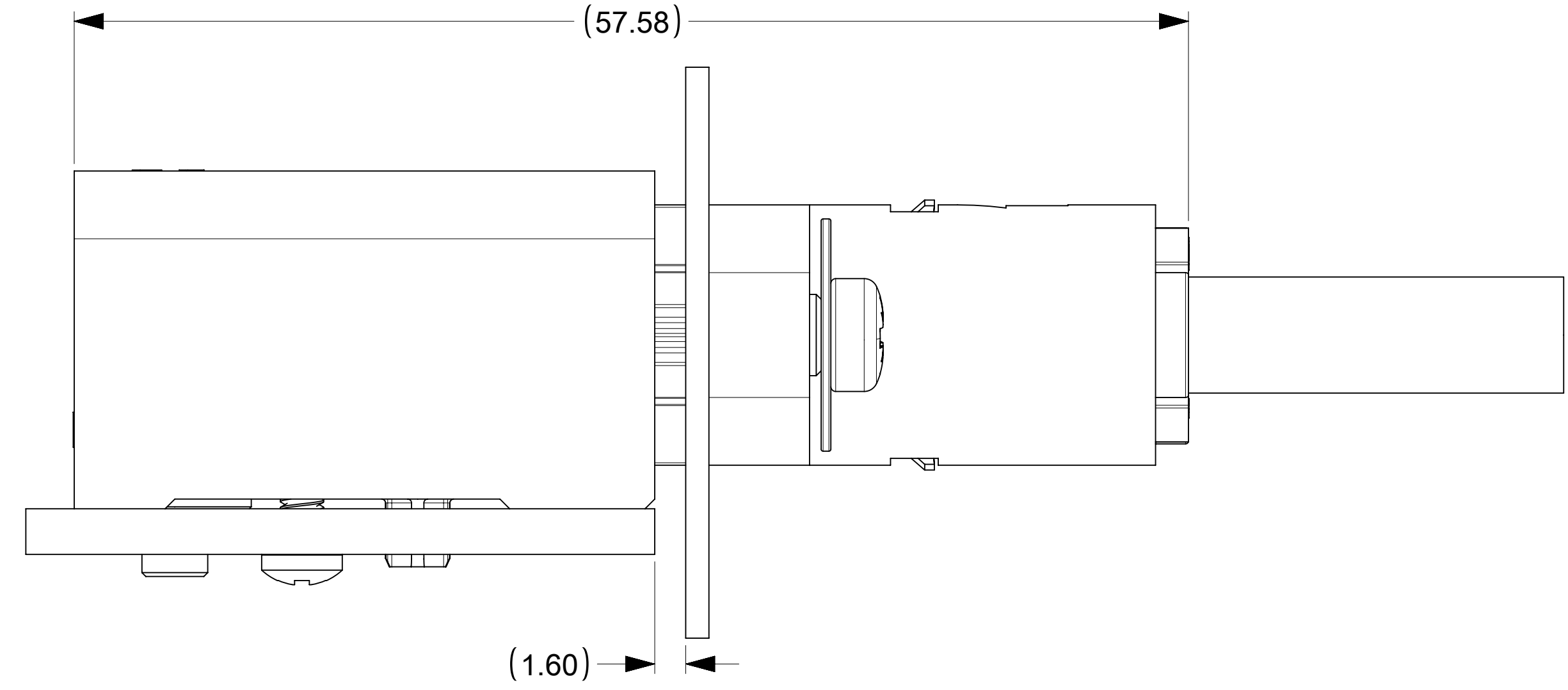
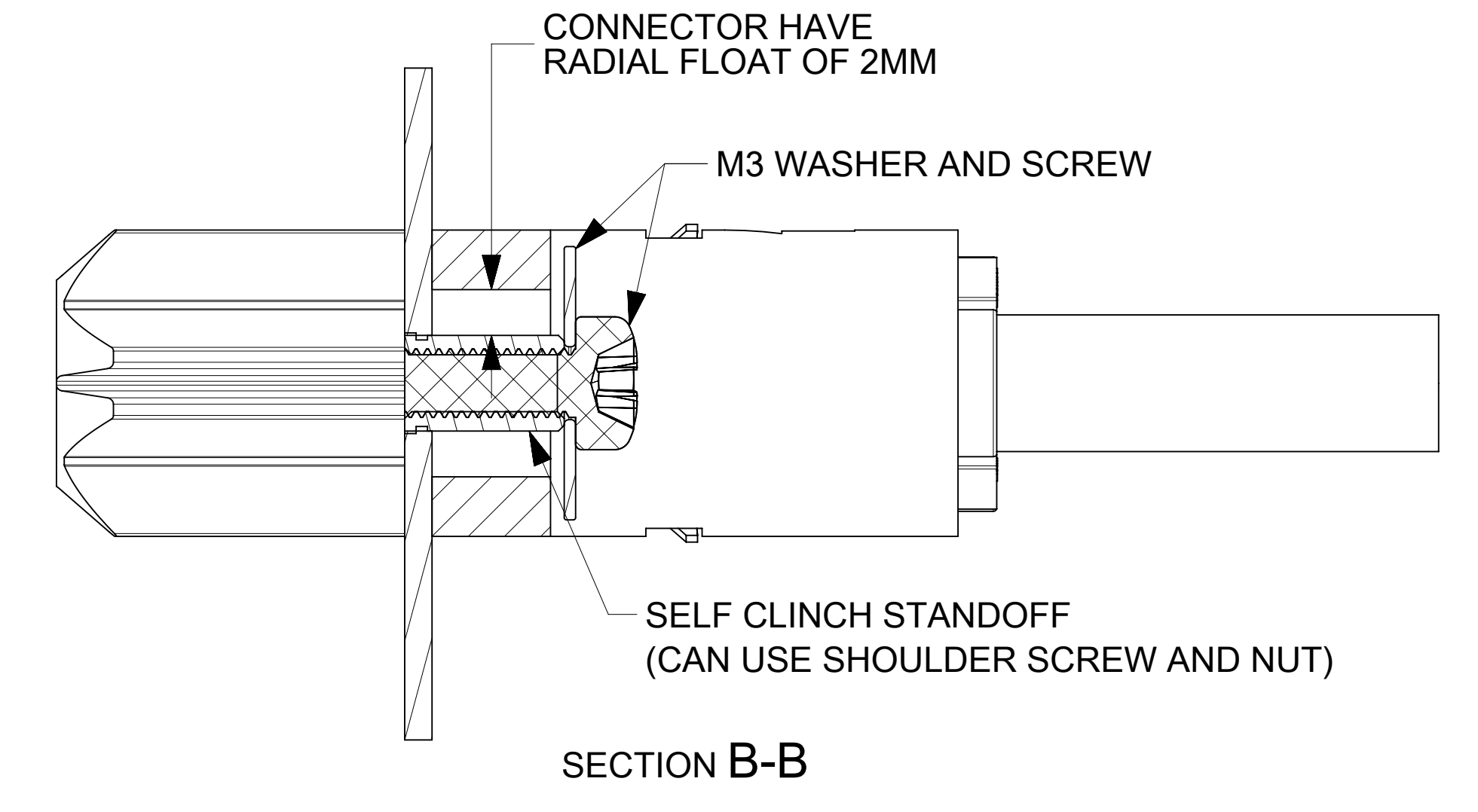
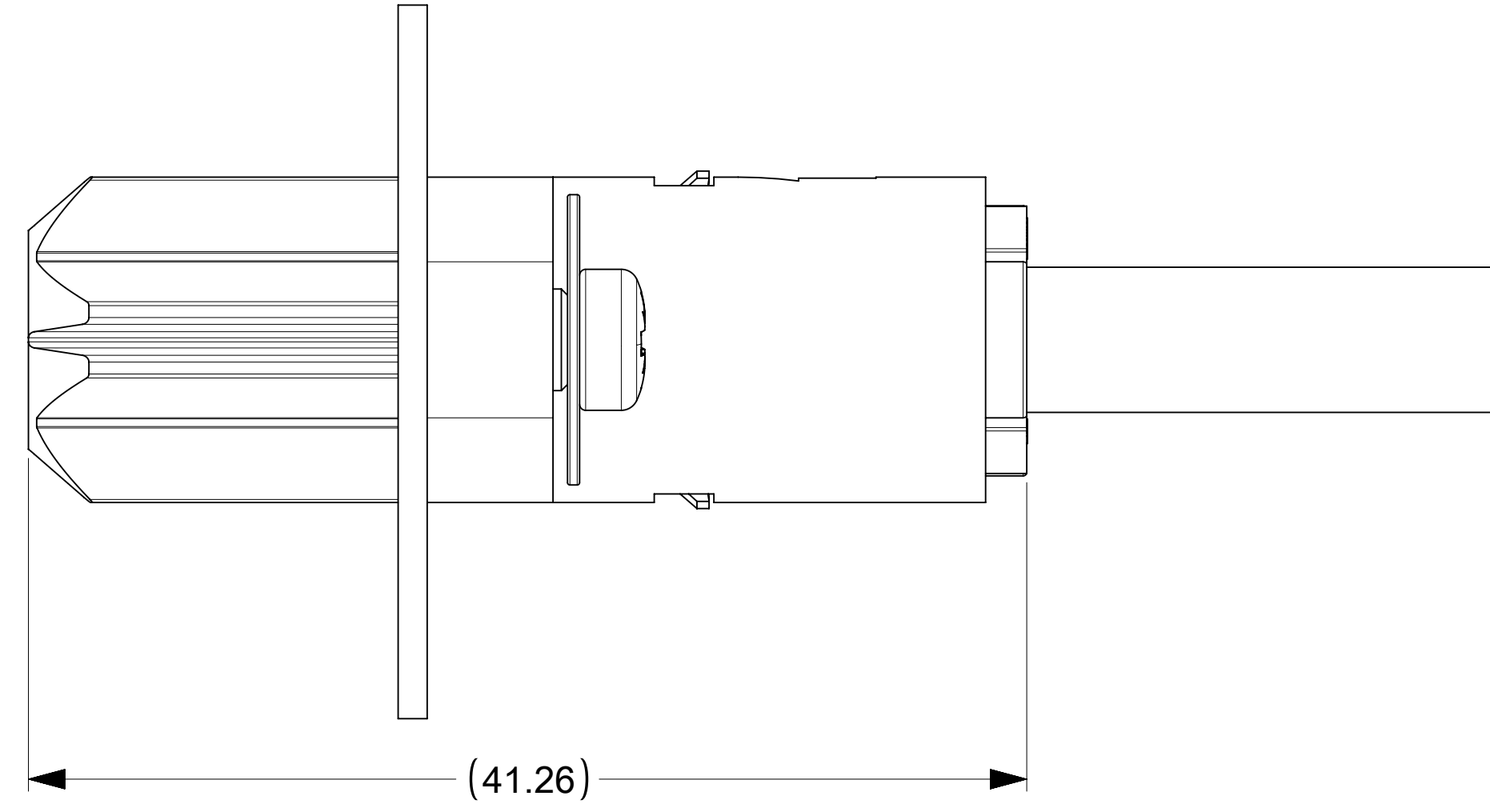
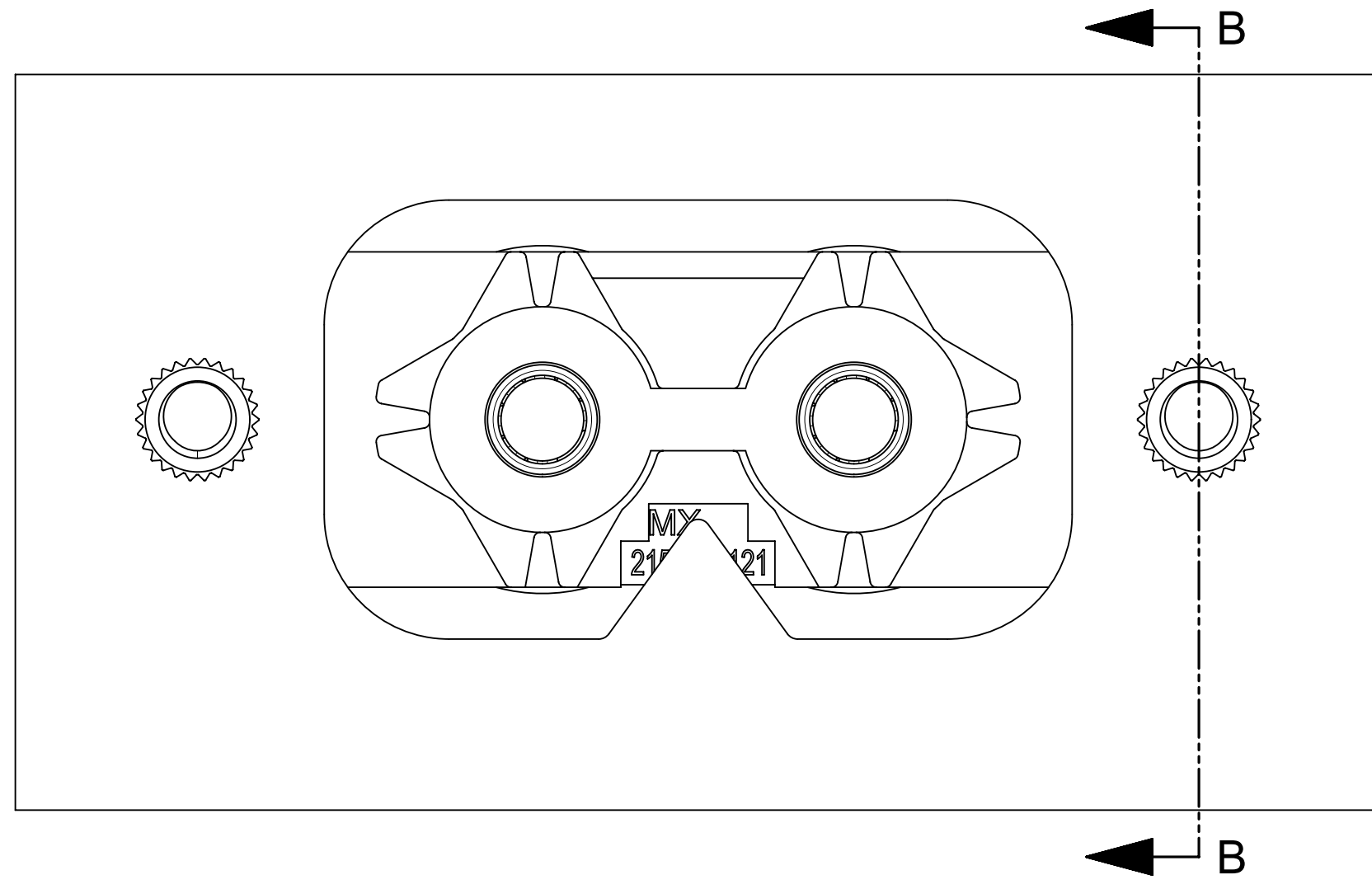


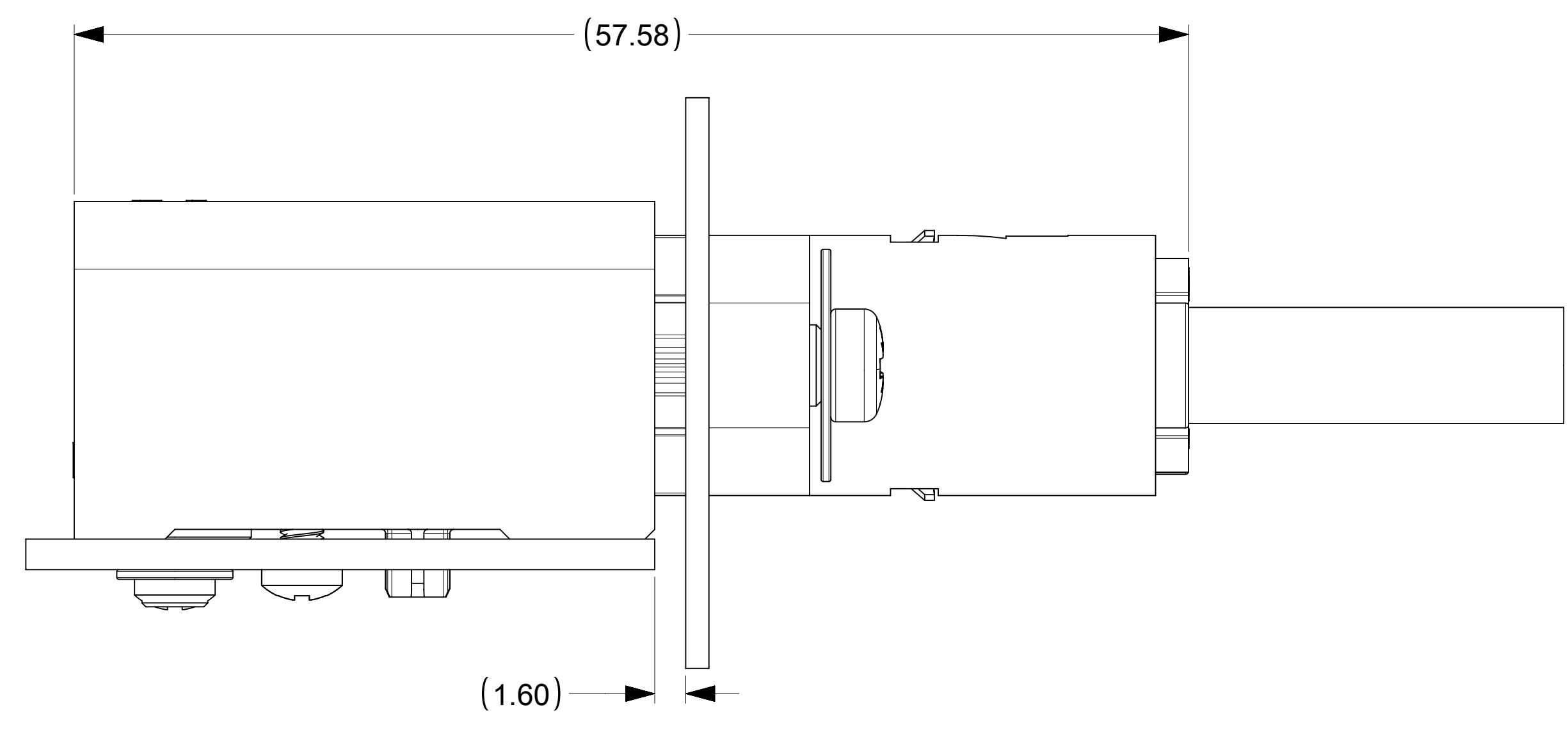
NOTES:

1. MATERIAL:
RECEPTACLE HOUSING: PBT POLYESTER, COLOR: BLACK, UL94-V0
2. PACKAGING SPECIFICATION : 2155116121-PK
3. PRODUCT SPECIFICATION: 2155100003-PS
4. APPLICATION SPECIFICATION: 2155101000-AS
5. TEST SUMMARY : 2155103000-TS
6. ASSEMBLY MEETS RoHS REQUIREMENT.
7. MATES WITH HEADER ASSEMBLY 215510-3031(SCREW MOUNT) AND 215510-3241(SOLDER VERSION).
8. SHEET 2 & 3 ILLUSTRATE ASSEMBLY VIEWS AND IT IS FOR VISUAL PURPOSE ONLY

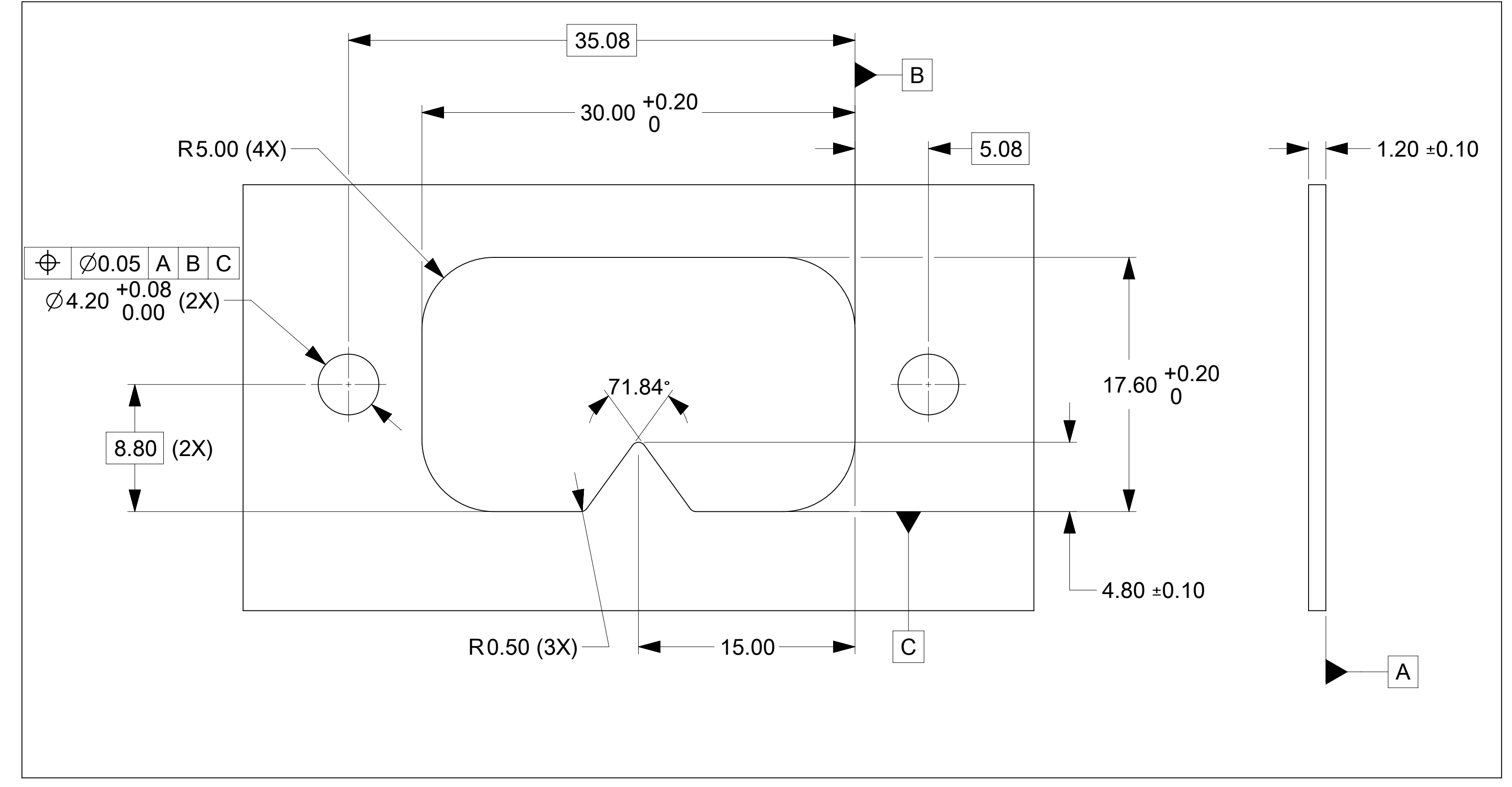
THIS DRAWING CONTAINS INFORMATION THAT IS PROPRIETARY TO MOLEX ELECTRONIC TECHNOLOGIES, LLC AND SHOULD NOT BE USED WITHOUT WRITTEN PERMISSION									
DIMENSION UNITS	SCALE	CURRENT REV DESC: DRAWING UPDATED WITH NEW VIEW TO ILLUSTRATE THE PANEL MOUNTING WITH SHOULDER SCREW AND NUT OPTION IN SHEET 4							
mm	5:1								
GENERAL TOLERANCES (UNLESS SPECIFIED)		EC NO: 745616			2CKT 3.4MM PANEL MOUNT RECEPTACLE HOUSING_POWERWIZE PRODUCT FAMILY				
ANGULAR TOL	± 0.5°	DRWN: CHETAB 2023/03/13			PRODUCT CUSTOMER DRAWING				
4 PLACES	±	CHK'D: GSHARMA 2023/04/28			DOCUMENT NUMBER				
3 PLACES	±	APPR: HTHYAGARAJ 2023/05/05			2155113121				
2 PLACES	± 0.15	INITIAL REVISION:			DOC TYPE				
1 PLACE	± 0.25	DRWN: CHETAB 2021/06/08			PSD				
0 PLACES	±	APPR: HTHYAGARAJ 2022/10/26			000				
DRAFT WHERE APPLICABLE MUST REMAIN WITHIN DIMENSIONS		THIRD ANGLE PROJECTION		DRAWING		SERIES		SHEET NUMBER	
				D-SIZE		215511		1 OF 4	
				MATERIAL NUMBER		CUSTOMER		REVISION	
				2155113121		GENERAL MARKET		A2	



ASSEMBLED AND MATED WITH
RA HEADER_SOLDER TAIL VERSION (2155103241)

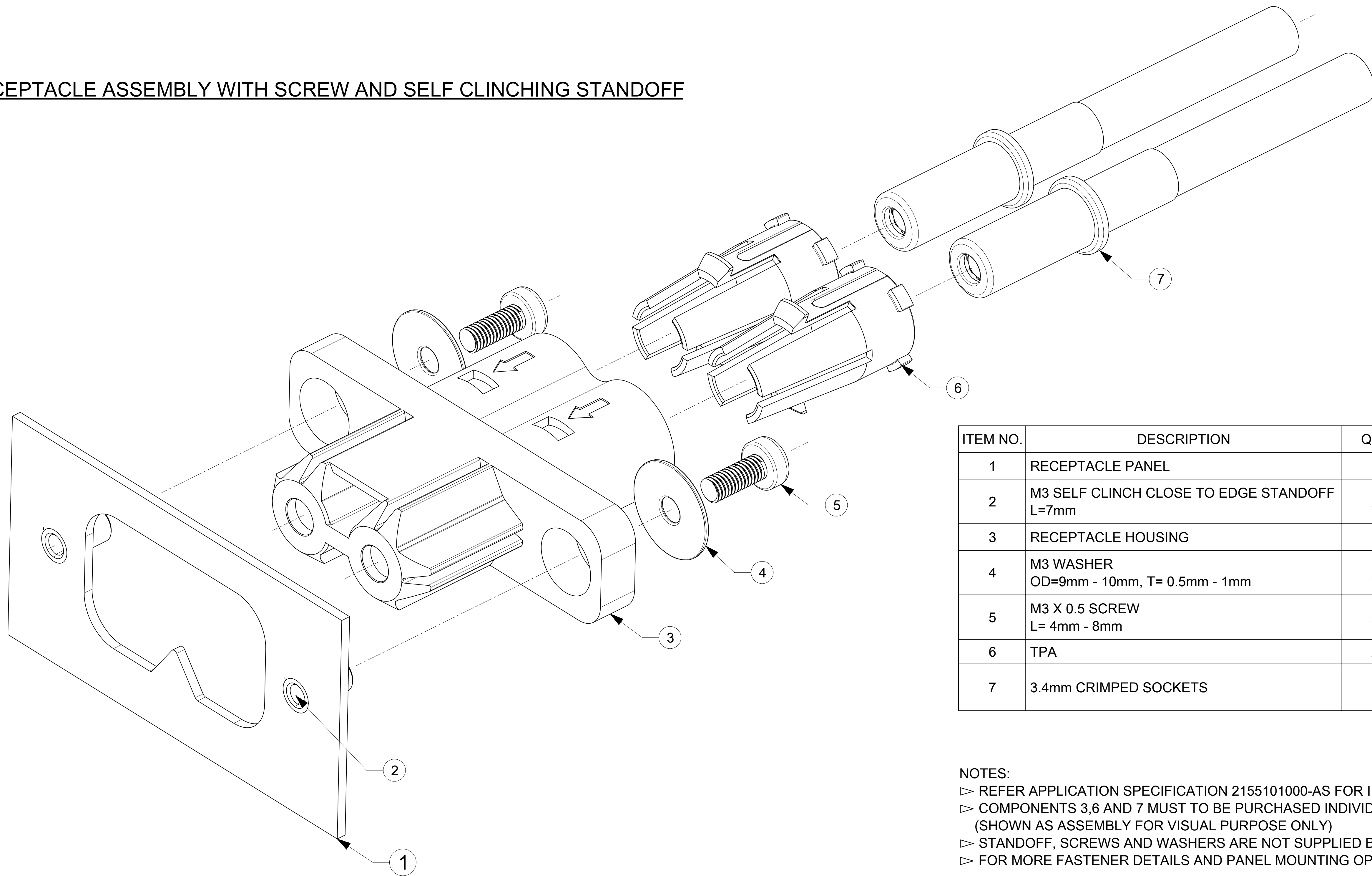


ASSEMBLED AND MATED WITH
RA HEADER_SCREW MOUNT VERSION (2155103031)



THIS DRAWING CONTAINS INFORMATION THAT IS PROPRIETARY TO MOLEX ELECTRONIC TECHNOLOGIES, LLC AND SHOULD NOT BE USED WITHOUT WRITTEN PERMISSION											
DIMENSION UNITS		SCALE		CURRENT REV DESC: DRAWING UPDATED WITH NEW VIEW TO ILLUSTRATE THE PANEL MOUNTING WITH SHOULDER SCREW AND NUT OPTION IN SHEET 4						molex	
mm		4:1									
GENERAL TOLERANCES (UNLESS SPECIFIED)				EC NO: 745616		DRWN: CHETAB		2023/03/13		2CKT 3.4MM PANEL MOUNT RECEPTACLE HOUSING_POWERWIZE PRODUCT FAMILY	
ANGULAR TOL ± 0.5°				4 PLACES ±		CHK'D: GSHARMA		2023/04/28		PRODUCT CUSTOMER DRAWING	
3 PLACES ±				2 PLACES ± 0.15		APPR: HTHYAGARAJ		2023/05/05		DOCUMENT NUMBER	
1 PLACE ± 0.25				0 PLACES ±		INITIAL REVISION:		DRWN: CHETAB		2021/06/08	
DRAFT WHERE APPLICABLE MUST REMAIN WITHIN DIMENSIONS				THIRD ANGLE PROJECTION		DRAWING		SERIES		MATERIAL NUMBER	
				D-SIZE		215511		2155113121		CUSTOMER	
								GENERAL MARKET		SHEET NUMBER	
										2 OF 4	

PANEL MOUNT OF RECEPTACLE ASSEMBLY WITH SCREW AND SELF CLINCHING STANDOFF



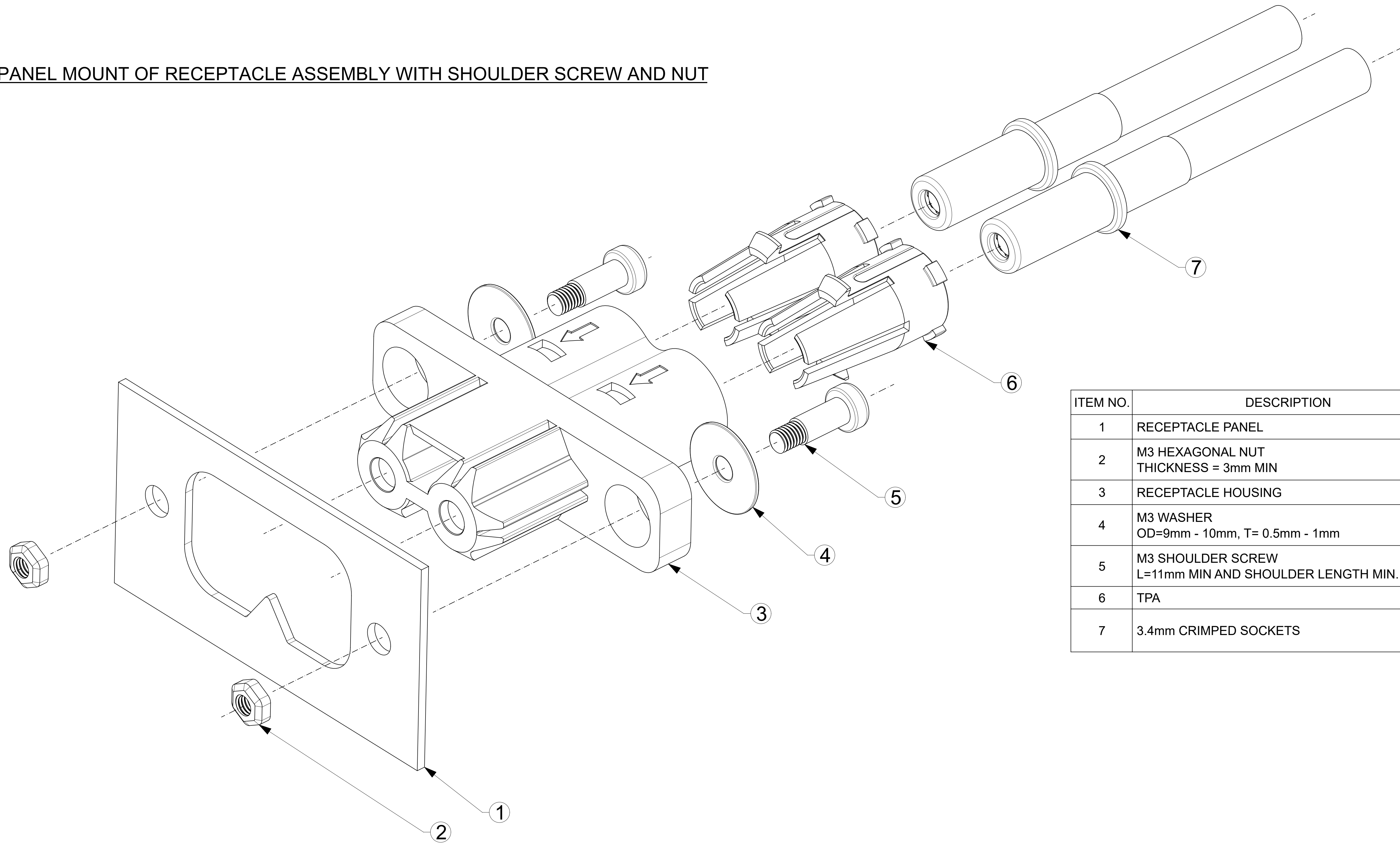
ITEM NO.	DESCRIPTION	QTY	REMARKS
1	RECEPTACLE PANEL	1	-
2	M3 SELF CLINCH CLOSE TO EDGE STANDOFF L=7mm	2	-
3	RECEPTACLE HOUSING	1	-
4	M3 WASHER OD=9mm - 10mm, T= 0.5mm - 1mm	2	-
5	M3 X 0.5 SCREW L= 4mm - 8mm	2	-
6	TPA	2	REFER SD: 2155133001
7	3.4mm CRIMPED SOCKETS	2	8AWG AND 10AWG REFER SD:2046083011

NOTES:

- ▷ REFER APPLICATION SPECIFICATION 2155101000-AS FOR INSTALLATION INSTRUCTION
- ▷ COMPONENTS 3,6 AND 7 MUST TO BE PURCHASED INDIVIDUALLY
(SHOWN AS ASSEMBLY FOR VISUAL PURPOSE ONLY)
- ▷ STANDOFF, SCREWS AND WASHERS ARE NOT SUPPLIED BY MOLEX.
- ▷ FOR MORE FASTENER DETAILS AND PANEL MOUNTING OPTIONS REFER 2155101000-AS

THIS DRAWING CONTAINS INFORMATION THAT IS PROPRIETARY TO MOLEX ELECTRONIC TECHNOLOGIES, LLC AND SHOULD NOT BE USED WITHOUT WRITTEN PERMISSION									
DIMENSION UNITS mm	SCALE 4:1	CURRENT REV DESC: DRAWING UPDATED WITH NEW VIEW TO ILLUSTRATE THE PANEL MOUNTING WITH SHOULDER SCREW AND NUT OPTION IN SHEET 4						molex	
GENERAL TOLERANCES (UNLESS SPECIFIED)		EC NO: 745616							
ANGULAR TOL	± 0.5°	4 PLACES ±		DRWN: CHETAB		2023/03/13		PRODUCT CUSTOMER DRAWING	
		3 PLACES ±		CHK'D: GSHARMA		2023/04/28			
		2 PLACES ± 0.15		APPR: HTHYAGARAJ		2023/05/05			
		1 PLACE ± 0.25		INITIAL REVISION:					
		0 PLACES ±		DRWN: CHETAB		2021/06/08			
DRAFT WHERE APPLICABLE MUST REMAIN WITHIN DIMENSIONS		THIRD ANGLE PROJECTION		DRAWING		SERIES		DOCUMENT NUMBER	
		D-SIZE		215511		2155113121		2155113121	
								CUSTOMER	
								GENERAL MARKET	
								SHEET NUMBER	
								3 OF 4	

PANEL MOUNT OF RECEPTACLE ASSEMBLY WITH SHOULDER SCREW AND NUT



ITEM NO.	DESCRIPTION	QTY	REMARKS
1	RECEPTACLE PANEL	1	-
2	M3 HEXAGONAL NUT THICKNESS = 3mm MIN	2	-
3	RECEPTACLE HOUSING	1	-
4	M3 WASHER OD=9mm - 10mm, T= 0.5mm - 1mm	2	-
5	M3 SHOULDER SCREW L=11mm MIN AND SHOULDER LENGTH MIN. 8mm	2	-
6	TPA	2	REFER SD: 2155133001
7	3.4mm CRIMPED SOCKETS	2	8AWG AND 10AWG REFER SD:2046083011

FUNCTIONAL SYMBOLS FA = 0 EC = 0 EP = 0	THIS DRAWING CONTAINS INFORMATION THAT IS PROPRIETARY TO MOLEX ELECTRONIC TECHNOLOGIES, LLC AND SHOULD NOT BE USED WITHOUT WRITTEN PERMISSION					
	DIMENSION UNITS	SCALE	CURRENT REV DESC: DRAWING UPDATED WITH NEW VIEW TO ILLUSTRATE THE PANEL MOUNTING WITH SHOULDER SCREW AND NUT OPTION IN SHEET 4			
	mm	4:1	GENERAL TOLERANCES (UNLESS SPECIFIED)			
	ANGULAR TOL ± 0.5°					
DIVISIONAL SYMBOLS 4 PLACES ± 3 PLACES ± 2 PLACES ± 0.15 1 PLACE ± 0.25 0 PLACES ±	EC NO: 745616		2CKT 3.4MM PANEL MOUNT RECEPTACLE HOUSING_POWERWIZE PRODUCT FAMILY			
	DRWN: CHETAB 2023/03/13		PRODUCT CUSTOMER DRAWING			
	CHK'D: GSHARMA 2023/04/28		DOCUMENT NUMBER	DOC TYPE	DOC PART	REVISION
	APPR: HTHYAGARAJ 2023/05/05		2155113121	PSD	000	A2
INITIAL REVISION:		MATERIAL NUMBER				
DRWN: CHETAB 2021/06/08		CUSTOMER		SHEET NUMBER		
APPR: HTHYAGARAJ 2022/10/26		GENERAL MARKET		4 OF 4		
DRAFT WHERE APPLICABLE MUST REMAIN WITHIN DIMENSIONS		THIRD ANGLE PROJECTION	DRAWING	SERIES		
			D-SIZE	215511		