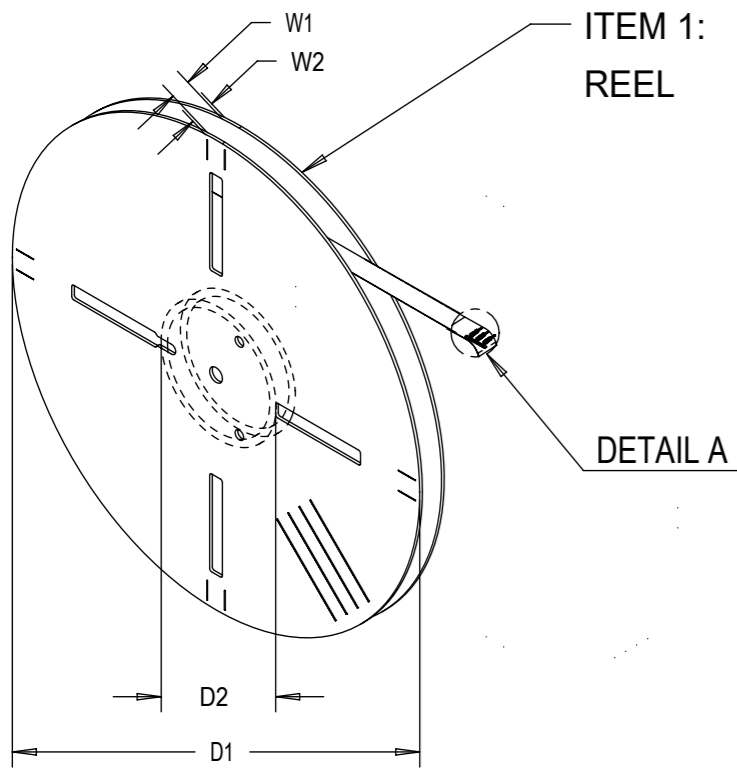
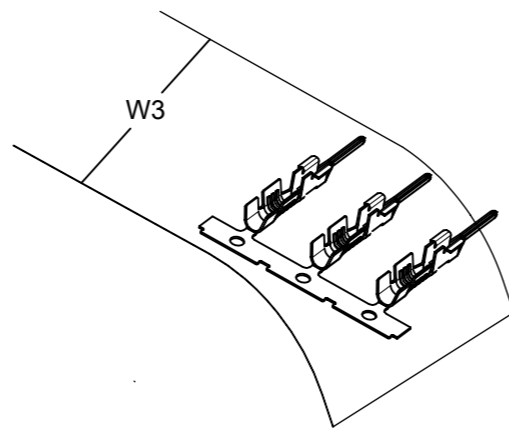


ULTRA-FIT ANGLESS PLUG TERMINALS IN CARTONS				
MATERIAL NUMBER	TERMINAL DESCRIPTION	QTY. PER REEL	REELS PER CARTON	TERMINALS PER CARTON
216946-5013	16-18 AWG, TIN PLATED	7,000	5	35,000
216946-5113	20-22 AWG, TIN PLATED	7,000	5	35,000
216946-5011	16-18 AWG, 15μ" GOLD	7,000	5	35,000
216946-5111	20-22 AWG, 15μ" GOLD	7,000	5	35,000
216946-5012	16-18 AWG, 30μ" GOLD	7,000	5	35,000
216946-5112	20-22 AWG, 30μ" GOLD	7,000	5	35,000

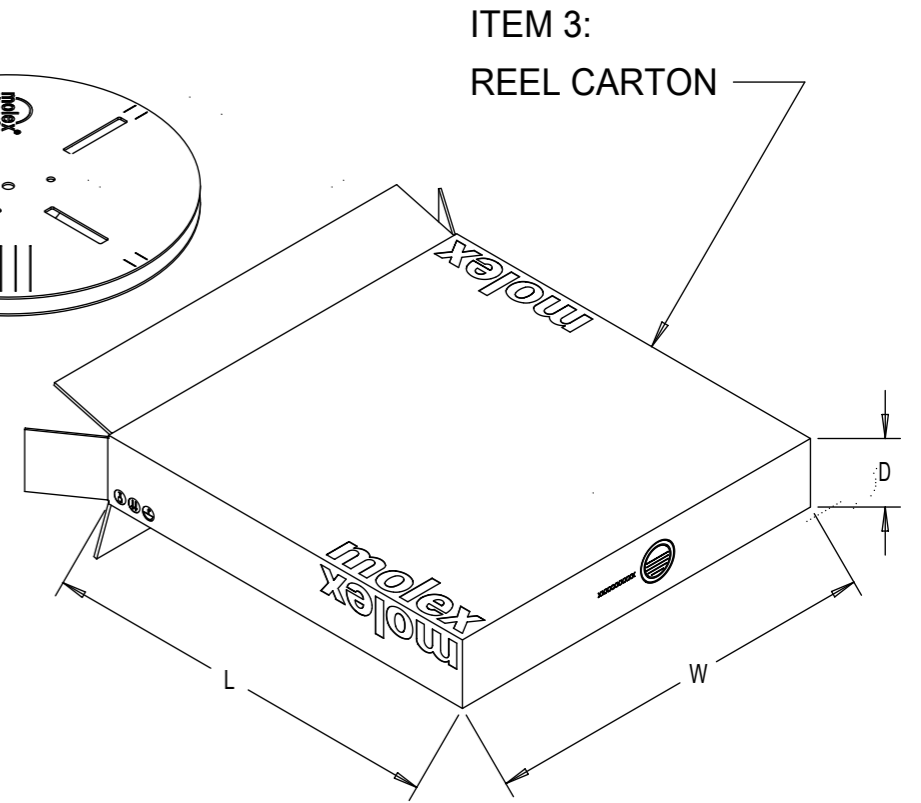
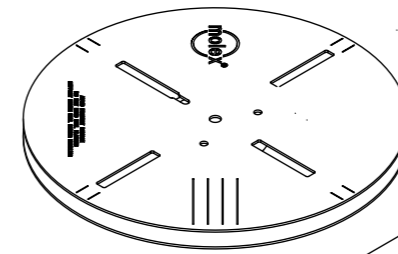
REEL CARTON MATERIAL NUMBERS			
ITEM NO.	DESCRIPTION	QTY. PER REEL	MATERIAL NUMBER
1	REEL ASSEMBLY (D1=610, D2=200, W1=29)	1	885961181
2	INTERLEAF PAPER (W3=27)	1	885961470
3	CARTON (L=615, W=615, D=218)	1/5	885961374



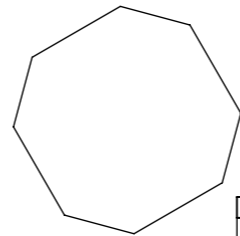
REEL ASSEMBLY



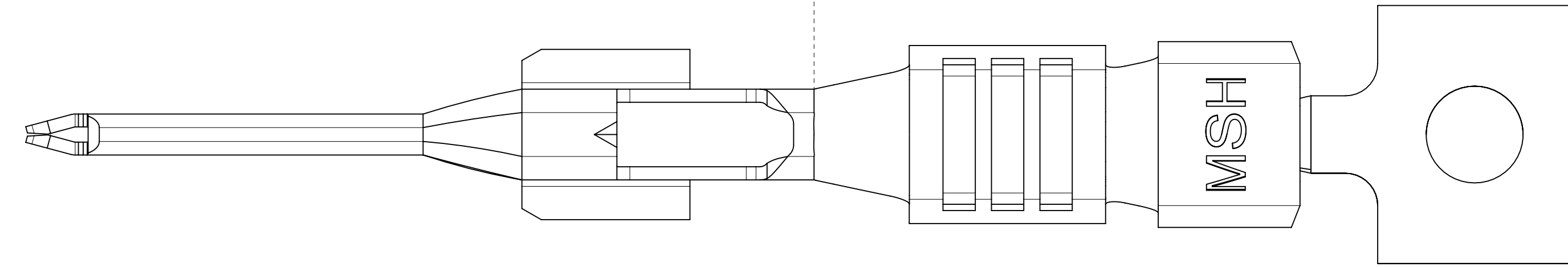
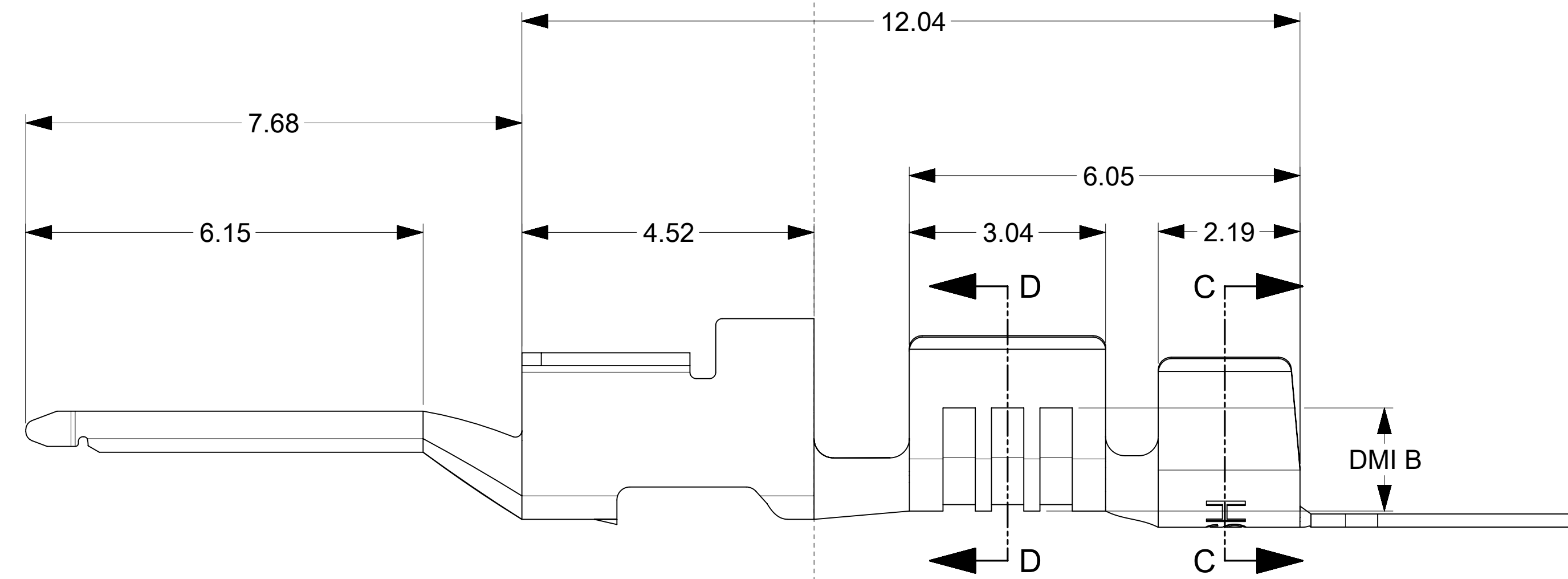
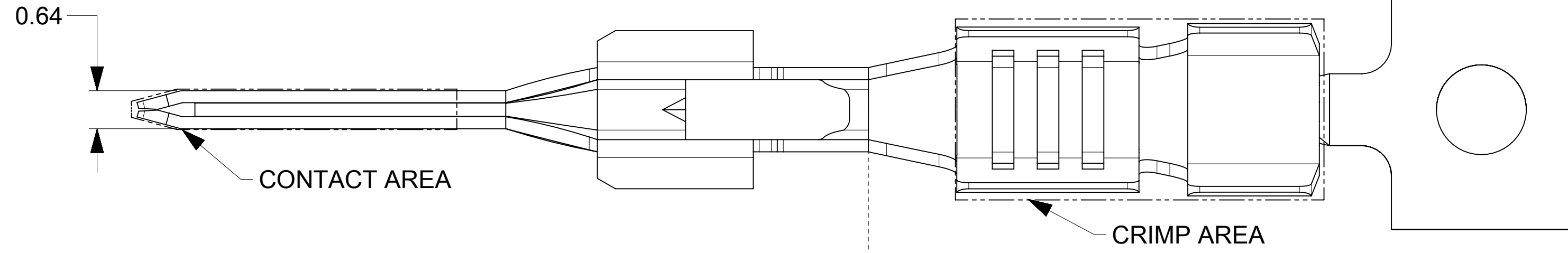
TERMINAL ORIENTATION



ITEM 3:
REEL CARTON

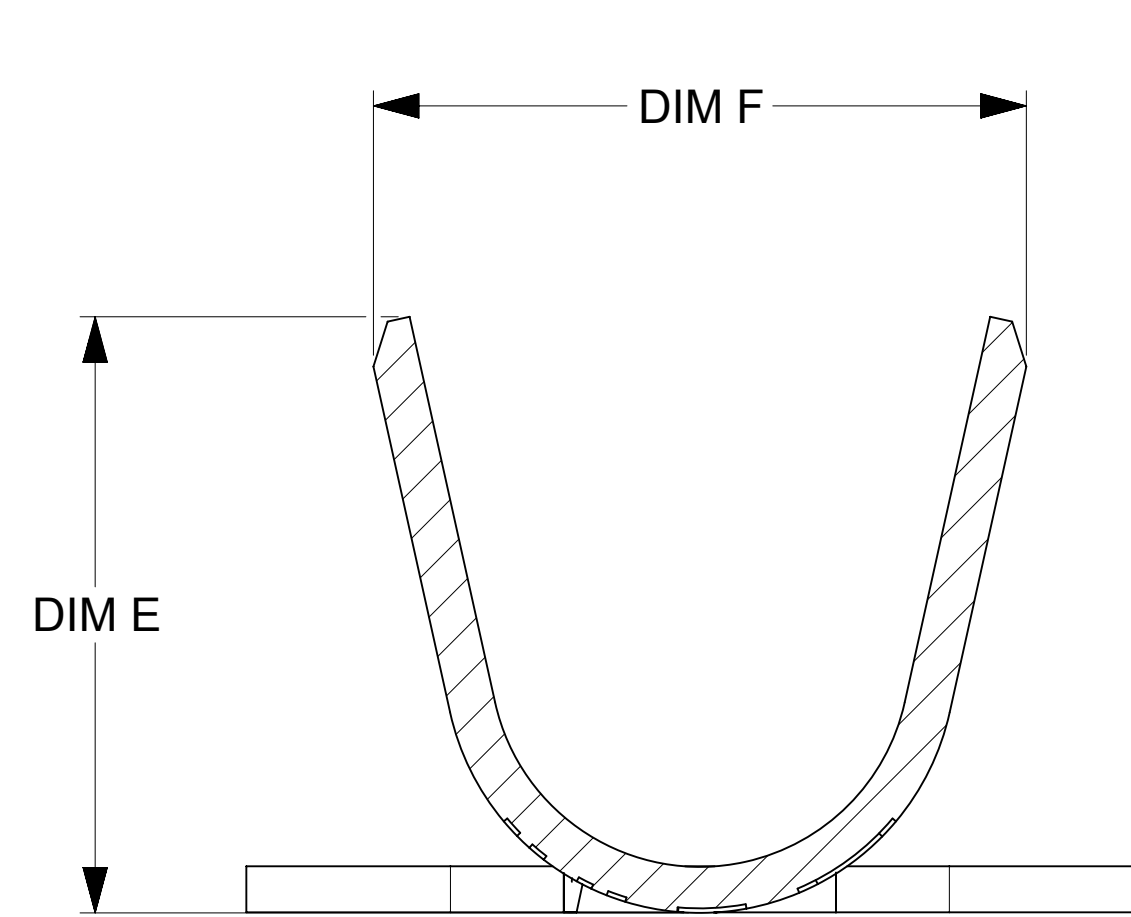


THIS DRAWING CONTAINS INFORMATION THAT IS PROPRIETARY TO MOLEX ELECTRONIC TECHNOLOGIES, LLC AND SHOULD NOT BE USED WITHOUT WRITTEN PERMISSION		CURRENT REV DESC:		molex	
DIMENSION UNITS	SCALE				
mm	NTS			PACKAGING DRAWING FOR ULTRA-FIT WTW TML	
GENERAL TOLERANCES (UNLESS SPECIFIED)				PRODUCT CUSTOMER DRAWING	
ANGULAR TOL	± °			DOCUMENT NUMBER	
4 PLACES	±	EC NO: 726545		2169461000-PK	
3 PLACES	± 0.1	DRWN: LEOW		DOC TYPE	
2 PLACES	± 0.2	CHK'D: EDUGGER		PSD	
1 PLACE	± 0.3	APPR: EDUGGER		DOC PART	
0 PLACES	±	INITIAL REVISION:		000	
DRAFT WHERE APPLICABLE MUST REMAIN WITHIN DIMENSIONS		DRWN: GLLI		REVISION	
THIRD ANGLE PROJECTION		APPR: EDUGGER		A	
DRAWING		SERIES		SHEET NUMBER	
A3-SIZE		216946		1 OF 1	

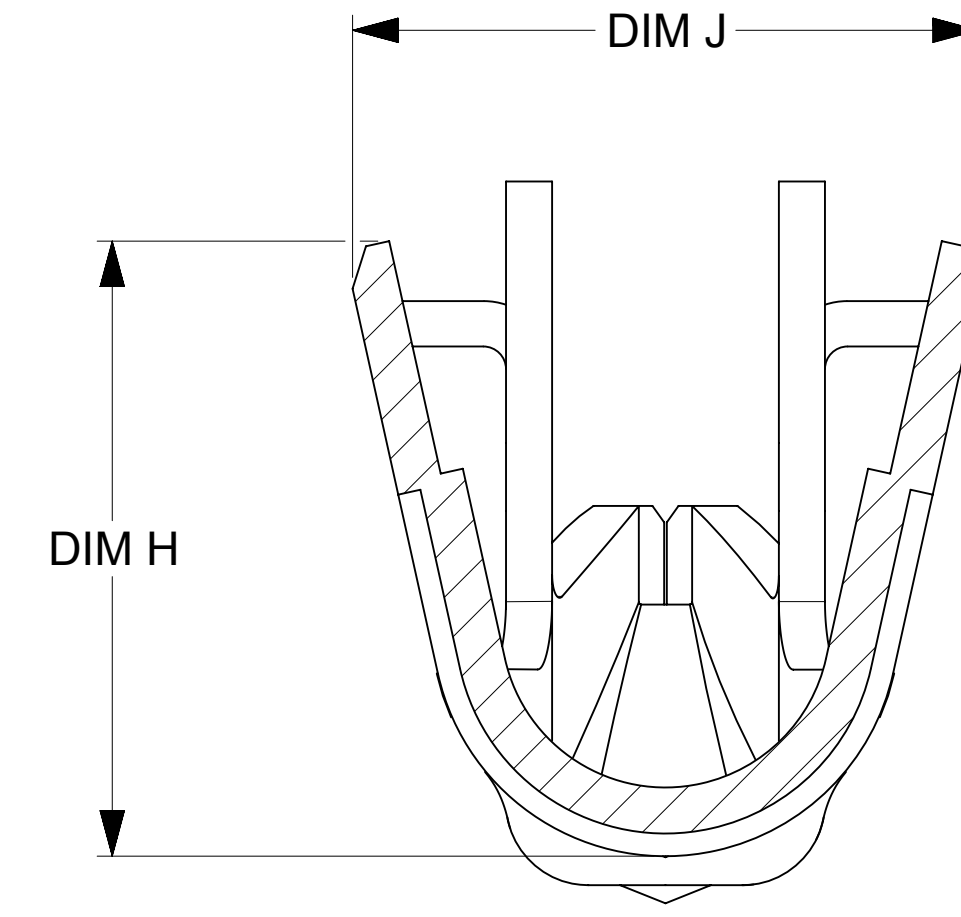


NOTES:

1. MATERIAL: PHOSPHER BRONZE ALLOY
2. FINISH:
 - "A" - REFLOW MATTE TIN PLATING 1.5-2.5 μ m OVERALL, UNDER NICKEL PLATING 1.25-2.5 μ m OVERALL.
 - "B" - GOLD PLANTING 0.38 μ m MIN ON CANTACT AREA, MATTE TIN PLATING 2.5 μ m MIN ON CRIMP AREA, UNDER NICKEL PLATING 1.25-2.5 μ m OVERALL.
 - "C" - GOLD PLANTING 0.76 μ m MIN ON CANTACT AREA, MATTE TIN PLATING 2.5 μ m MIN ON CRIMP AREA, UNDER NICKEL PLATING 1.25-2.5 μ m OVERALL.
3. PRODUCT SPECIFICATION: 2169461000-PS
4. PACKAGING SPECIFICATION: 2169461000-PK
5. TERMINAL FOR USE IN PLUG HOUSING SERIES 216945 AND 202569
6. SOME GOLD MAY BE PRESENT ON INSIDE SURFACE.



SECTION C-C



SECTION D-D

PART NUMBER(AFTER PLATING AND LUBRICATING)	LUBRICATING	PLATING	CRIMP SIZE	DIM B	DIM E	DIM F	DIM H	DIM J
216946-5011	NO	B	16-18	1.59	2.63	2.89	2.71	2.77
216946-5111	NO	B	20-22	1.05	2.08	2.33	2.16	2.20
216946-5012	NO	C	16-18	1.59	2.63	2.89	2.71	2.77
216946-5112	NO	C	20-22	1.05	2.08	2.33	2.16	2.20
216946-5013	YES	A	16-18	1.59	2.63	2.89	2.71	2.77
216946-5113	YES	A	20-22	1.05	2.08	2.33	2.16	2.20

THIS DRAWING CONTAINS INFORMATION THAT IS PROPRIETARY TO MOLEX ELECTRONIC TECHNOLOGIES, LLC AND SHOULD NOT BE USED WITHOUT WRITTEN PERMISSION

DIMENSION UNITS mm	SCALE NTS	CURRENT REV DESC:	molex		
GENERAL TOLERANCES (UNLESS SPECIFIED)					
ANGULAR TOL	± °	EC NO: 726545	ULTRA-FIT PLUG CRIMP TERMINAL		
4 PLACES	±	DRWN: LEOW 2022/10/31			
3 PLACES	±	CHK'D: EDUGGER 2022/11/01	PRODUCT CUSTOMER DRAWING		
2 PLACES	± 0.25	APPR: EDUGGER 2022/11/01			
1 PLACE	± 0.35	INITIAL REVISION:	DOCUMENT NUMBER		
0 PLACES	±	DRWN: LEOW 2022/10/21			
DRAFT WHERE APPLICABLE MUST REMAIN WITHIN DIMENSIONS		APPR: EDUGGER 2022/11/01	DOC TYPE DOC PART REVISION		
THIRD ANGLE PROJECTION					
DRAWING		SERIES	MATERIAL NUMBER CUSTOMER SHEET NUMBER		
D-SIZE		216946			
SEE TABLE		GENERAL MARKET	1 OF 1		