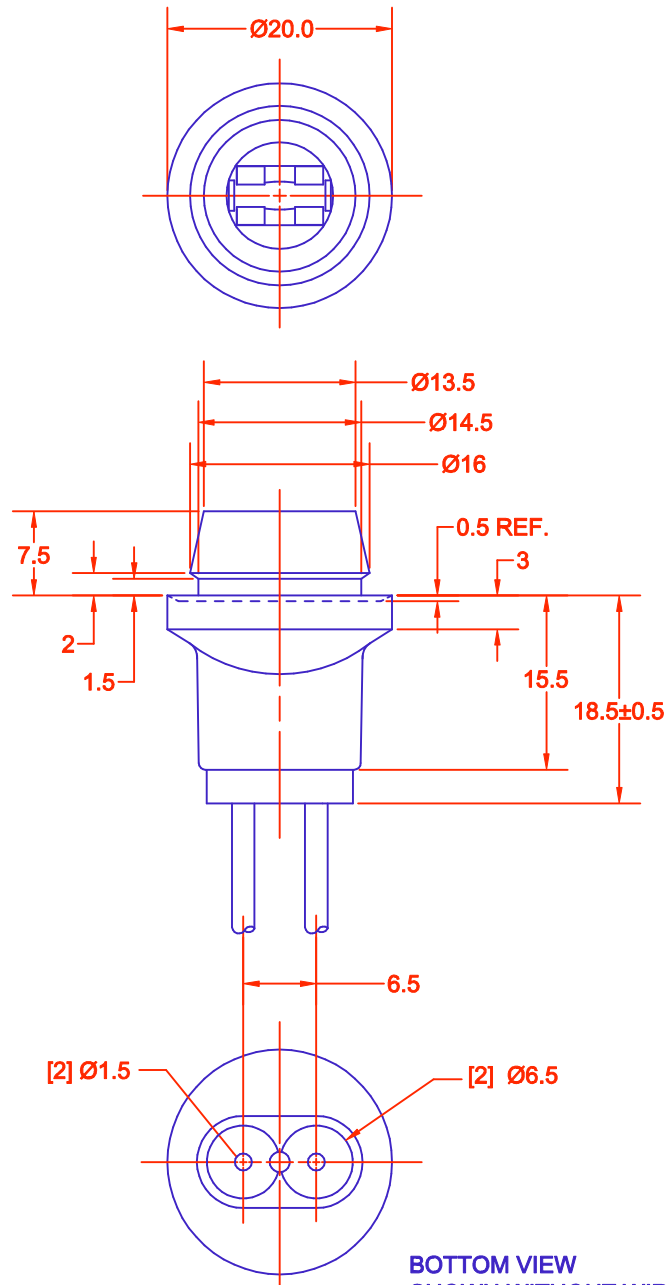
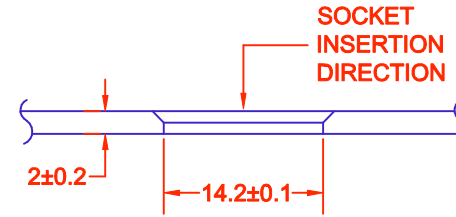


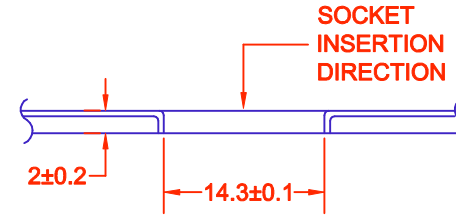
REV.	DESCRIPTION/ECO NO.	DATE
	RELEASED AS CAD	9/11/02



PLASTIC PANEL



METAL PANEL



BASE COLOR: GRAY

<p>THIRD ANGLE PROJECTION</p>	<p>METRIC</p>	<p>DIMENSIONS ARE IN MILLIMETERS</p>	<p>JKL COMPONENTS CORPORATION</p>				
	<p>TOLERANCE UNLESS OTHERWISE SPECIFIED</p> <p>1 PL +/- 0.2</p> <p>2 PL +/- 0.20</p> <p>ANGLE +/- 0</p>		<p>TITLE</p> <p>T-3 1/4 PUSH-IN TYPE SOCKET</p>				
<p>DRAWN BY</p> <p>L. WENGSTROM</p>	<p>APPVD BY</p> <p>J.K.</p>	<p>DATE</p> <p>9/11/02</p>	<p>SIZE</p> <p>A</p>	<p>FSCM NO.</p> <p>55335</p>	<p>DRAWING NO.</p>	<p>SOCKET 2964</p>	
<p>- CAD DRAWING -</p> <p>MANUAL REVISIONS NOT PERMITTED</p>			<p>SCALE</p> <p>NONE</p>	<p>RELEASED DATE</p> <p>9/11/02</p>	<p>REVISION DATE</p>	<p>REV. NO.</p>	<p>SHEET</p> <p>1 OF 1</p>