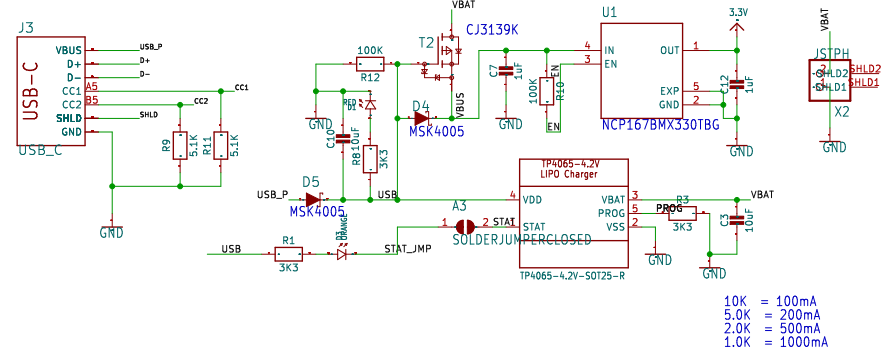
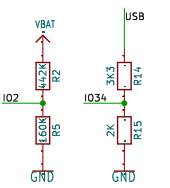


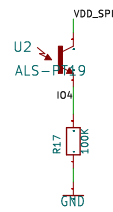
USB, POWER PATHS, CHARGING AND FILTERING



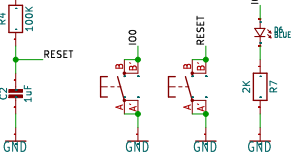
SENSE PINS



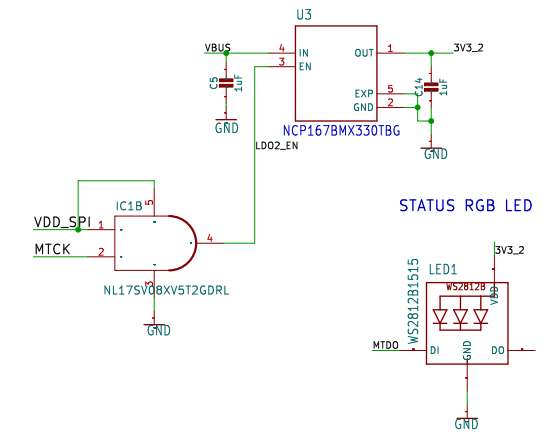
LIGHT SENSOR



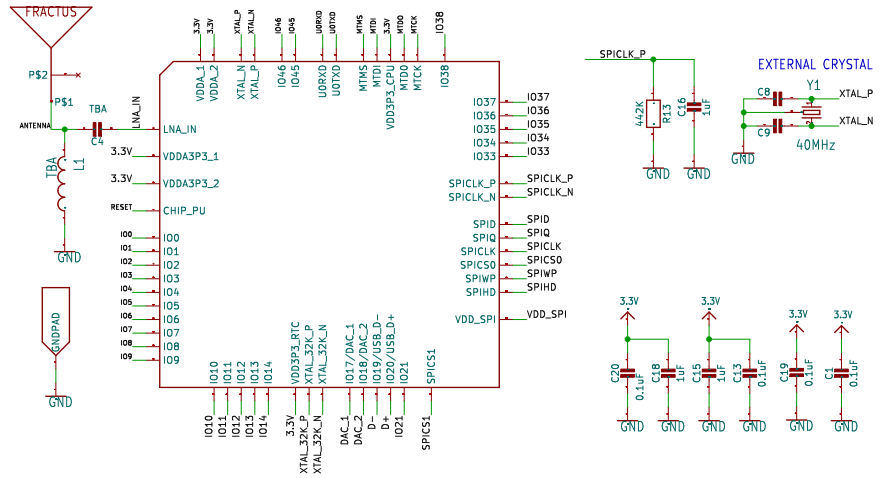
BUTTONS



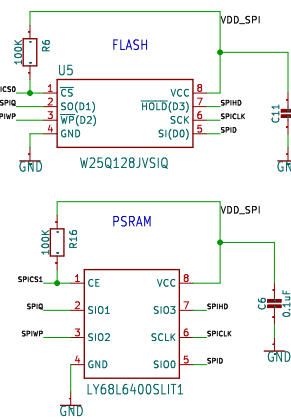
LDO2 & AUTO-SHUTDOWN



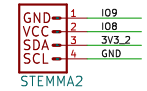
ESP32-S3



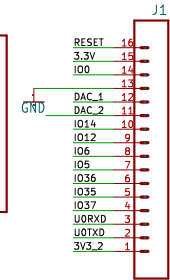
EXTERNAL FLASH & PSRAM



VERTICAL STEMMA CONNECTED TO LDO2



HEADERS



HORIZONTAL STEMMA CONNECTED TO LDO1

