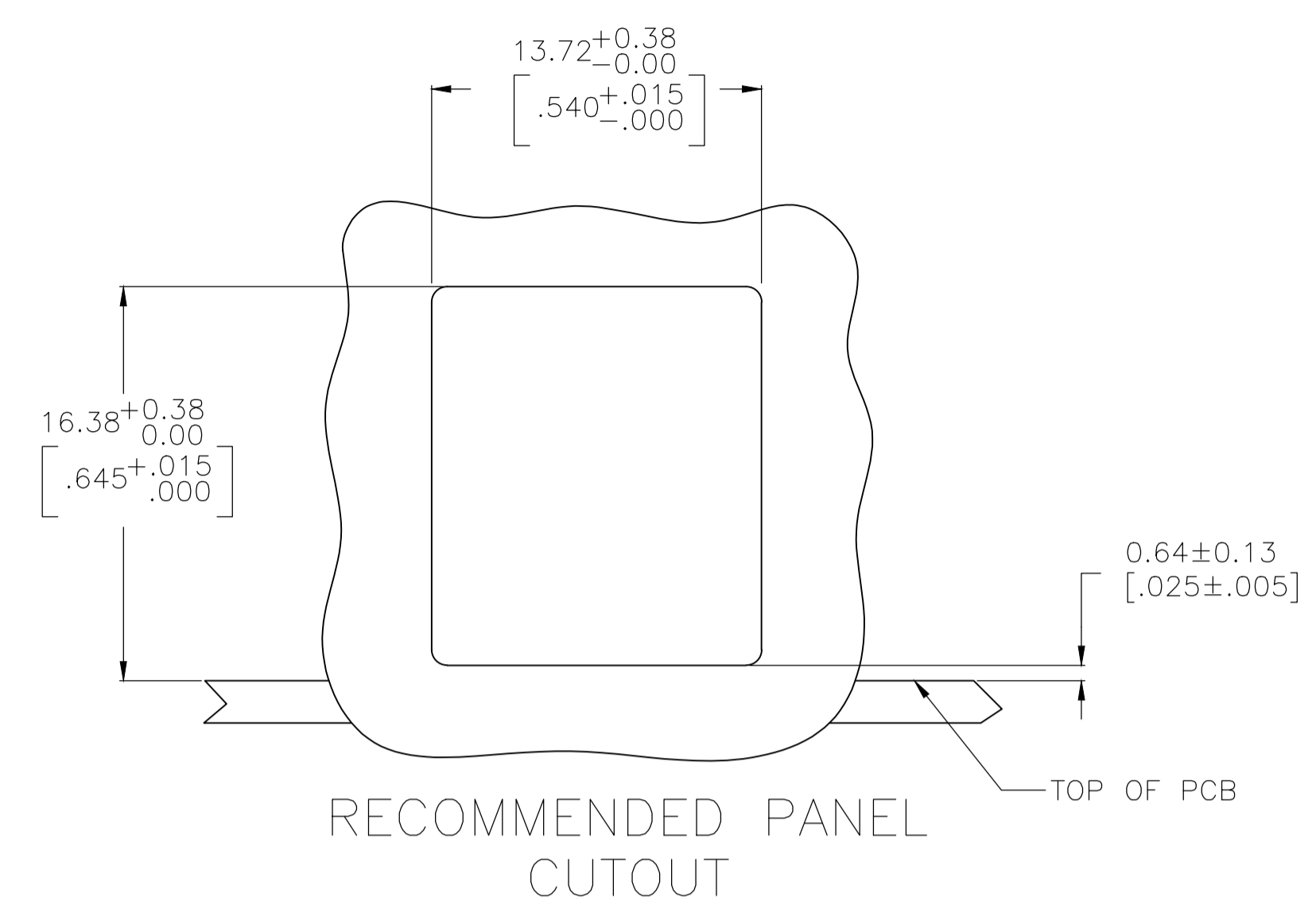
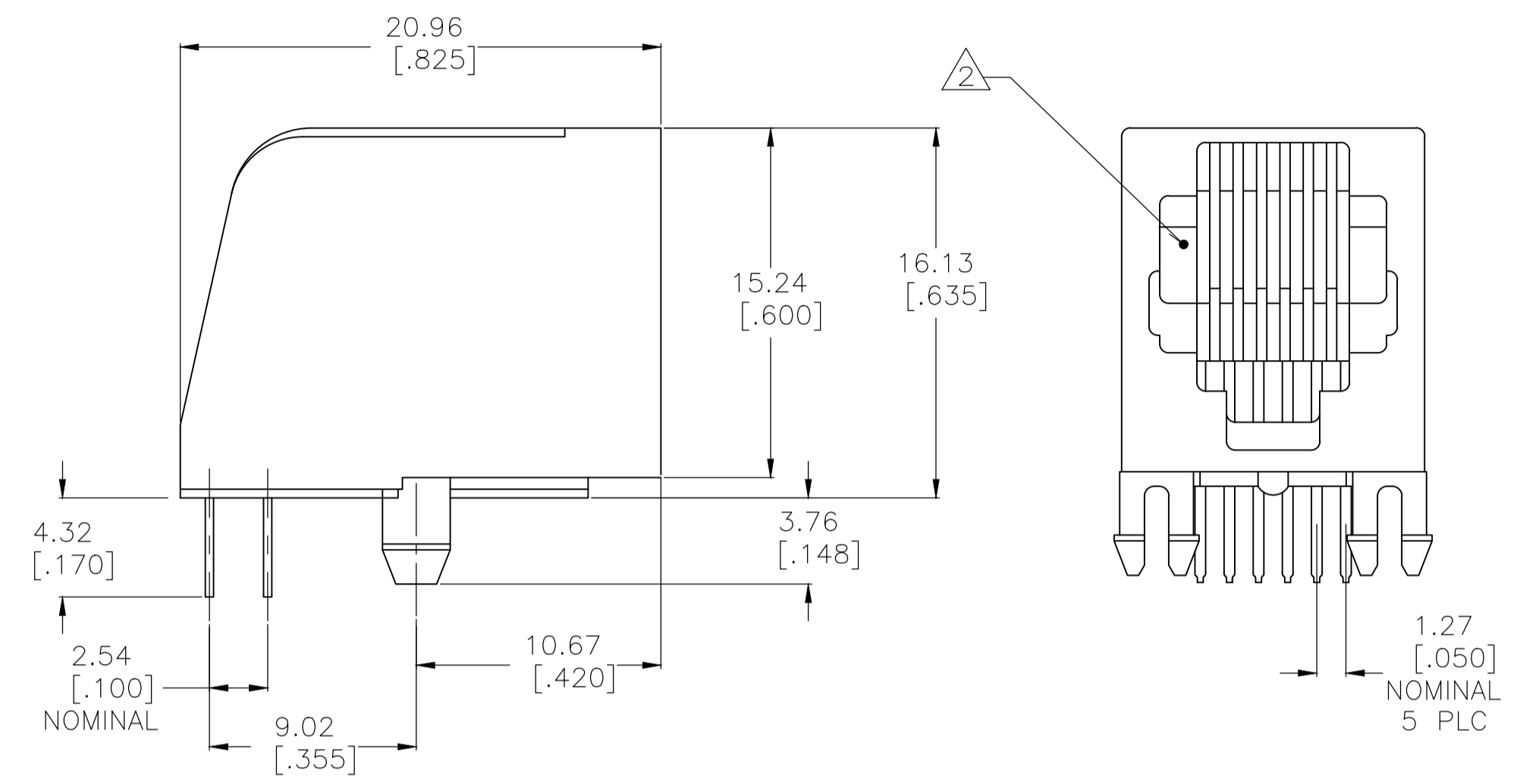
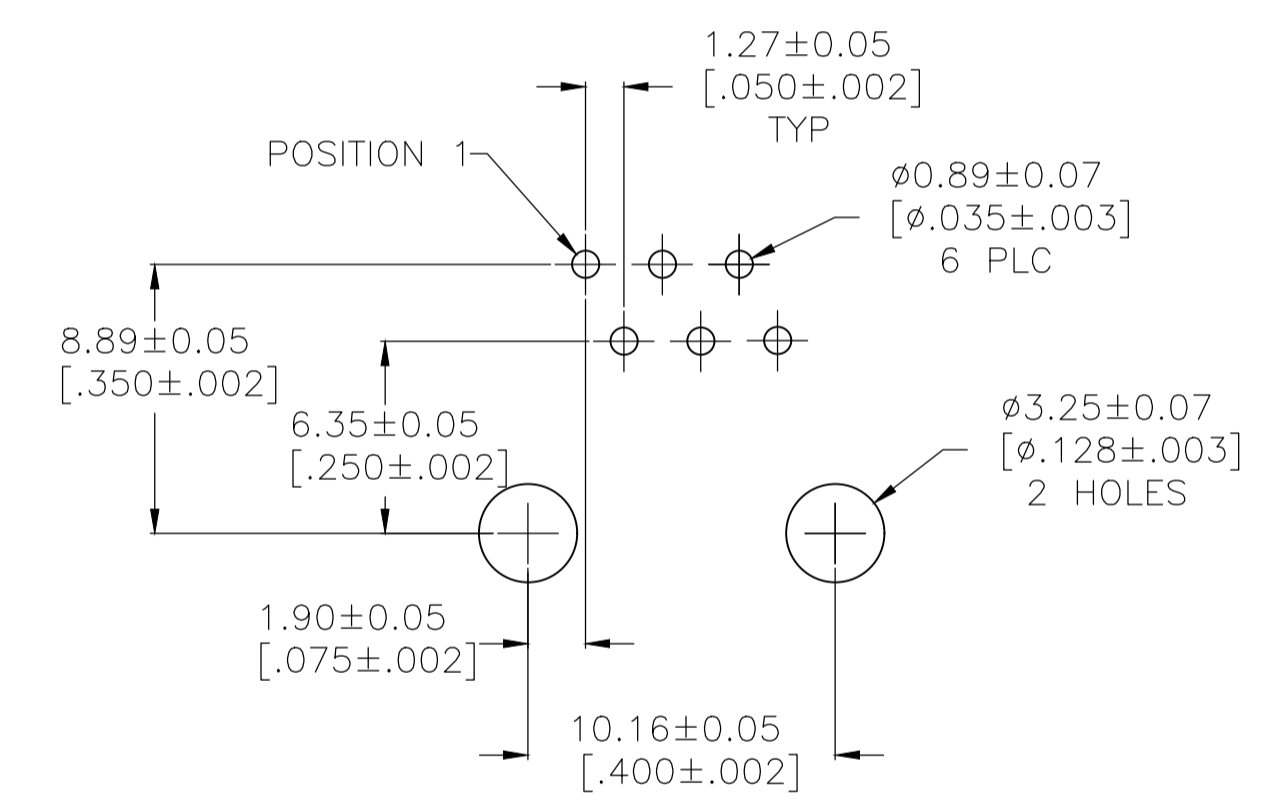
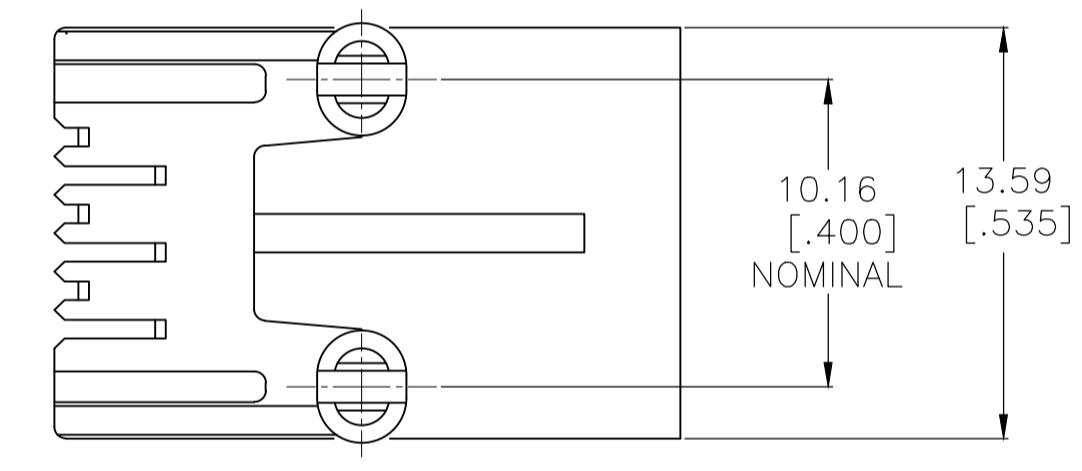


REVISIONS				
P	LTR	DESCRIPTION	DATE	APPD
C		ECO-18-011917	27JUL2018	LL SH



- MATERIAL: HOUSING - PBT POLYESTER, COLOR: BLACK
 TERMINAL -- 0.35 [.0138] THICK PHOS BRONZE
 PLATED WITH 1.27 μm [.000050] THICK HARD GOLD
 IN LOCALIZED GOLD PLATE AREA AND 3.81 μm [.000150]
 THICK MATTE TIN IN SOLDER AREA OVER 1.27 μm
 [.000050] THICK NICKEL UNDERPLATE
- CAVITY CONFORMS TO FCC RULES AND
 REGULATIONS PART 68 AND REA BULLETIN
 345-81, PE-76 SPECIFICATION FOR MODULAR
 TELEPHONE HARDWARE.
- DIMENSIONS ARE MAXIMUM UNLESS OTHERWISE SHOWN



RECOMMENDED PRINTED CIRCUIT BOARD
 LAYOUT
 COMPONENT SIDE SHOWN

6	5520470-3
TERMINALS	PART NUMBER

THIS DRAWING IS A CONTROLLED DOCUMENT.		DIN	30AUG2007	L.A.MAYER	
DIMENSIONS: mm [INCHES]		CHK	30AUG2007	P.RECCCE	
TOLERANCES UNLESS OTHERWISE SPECIFIED:		APPD	30AUG2007	S.FLICKINGER	
0 PLC	± -	NAME			
1 PLC	± -	MODULAR JACK ASSEMBLY, SIDE ENTRY, 6 POSITION, FLANGELESS			
2 PLC	± 0.13[.005]	PRODUCT SPEC			
3 PLC	± -	108-1163			
4 PLC	± -	APPLICATION SPEC			
ANGLES	± -	114-2048			
MATERIAL	SEE NOTE 1	FINISH	SEE NOTE 1	WEIGHT	—
CUSTOMER DRAWING		SIZE	A1	CAGE CODE	00779
		DRAWING NO	5520470		RESTRICTED TO
		SCALE	4:1	SHEET	1 OF 1
		REV	C		