

THIS DRAWING IS UNPUBLISHED.

RELEASED FOR PUBLICATION

2012

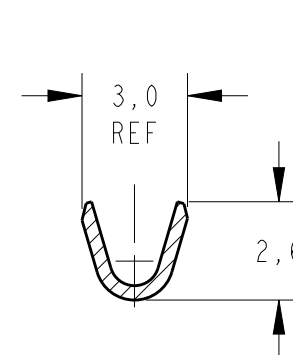
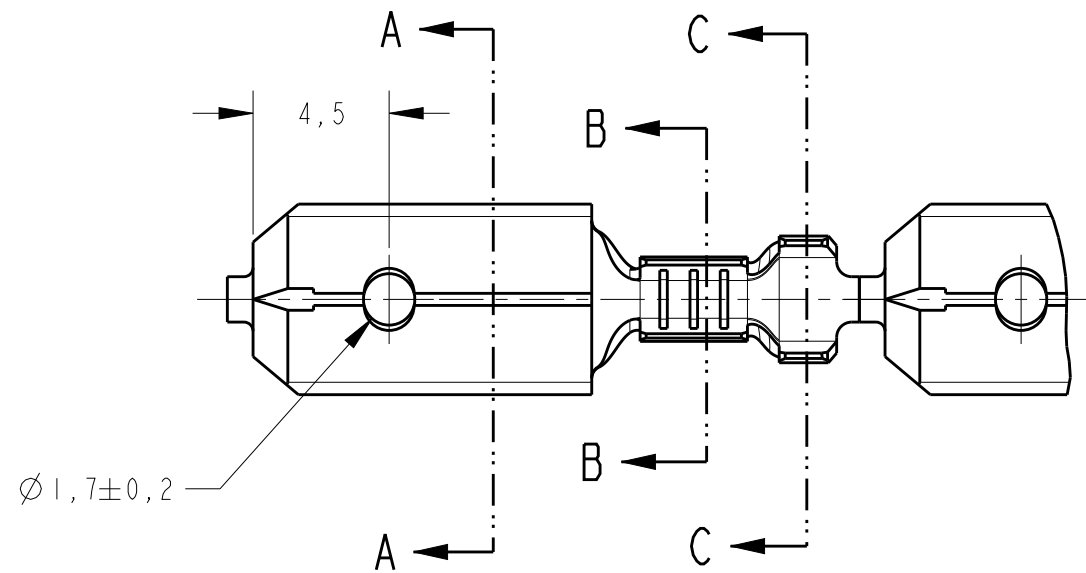
© COPYRIGHT 2012 BY TE CONNECTIVITY

ALL RIGHTS RESERVED.

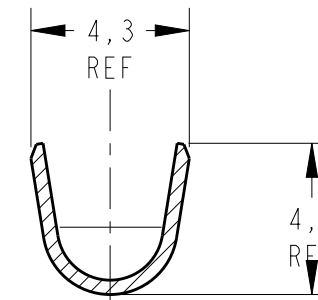
LOC AP DIST -

REVISIONS

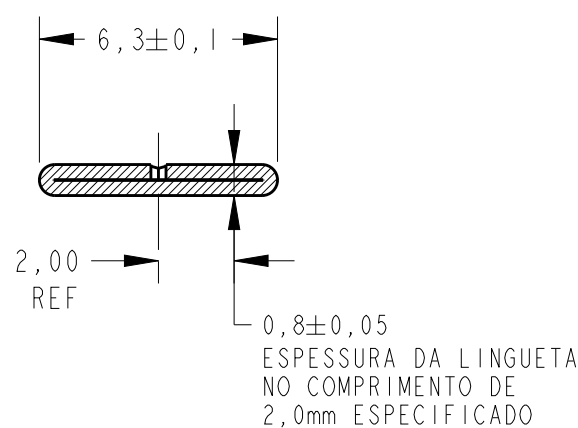
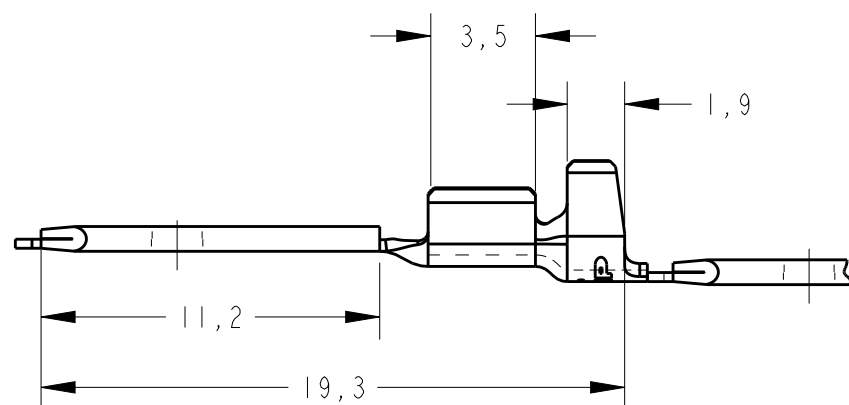
P	LTR	DESCRIPTION	DATE	DWN	APVD
J1		REDRAW BY CAD ECO-12-014149	27AUG2012	NCL	DAO
J2		REVISED BY ECO 16-003725	23JUN2016	HC	WLS



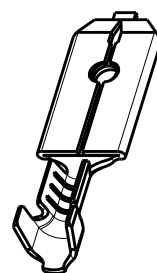
SECTION B-B SCALE 5:1



SECTION C-C SCALE 5:1



SECTION A-A SCALE 5:1



PERSPECTIVE VIEW SCALE 2:1

FINISH	MATERIAL	PART NUMBER
SILVER PLATED	BRONZE FOSF. /PHOSP BRONZE	626377 -4
ESTANHADO / TIN PLATED	BRONZE FOSF. /PHOSP BRONZE	626377 -3
	LATÃO / BRASS	626377 -2
	LATÃO / BRASS	626377 -1

INS. RANGE	WIRE RANGE
Ø2,0-3,0mm	22-18AWG

THIS DRAWING IS A CONTROLLED DOCUMENT.

DWN NCLAPRESA 13JUL2012  
 CHK JRGOLDSCHMIDT 13JUL2012  
 APVD DAOLIVEIRA 13JUL2012

NAME: -  
 PRODUCT SPEC: -  
 APPLICATION SPEC: -  
 WEIGHT: -

**STE** TE Connectivity

TERMINAL FASTON .250 TAB

SIZE A3 CAGE CODE 00779 DRAWING NO C-626377 RESTRICTED TO -

MATERIAL SEE TABLE FINISH SEE TABLE

Customer Drawing SCALE - SHEET 1 OF 1 REV J2