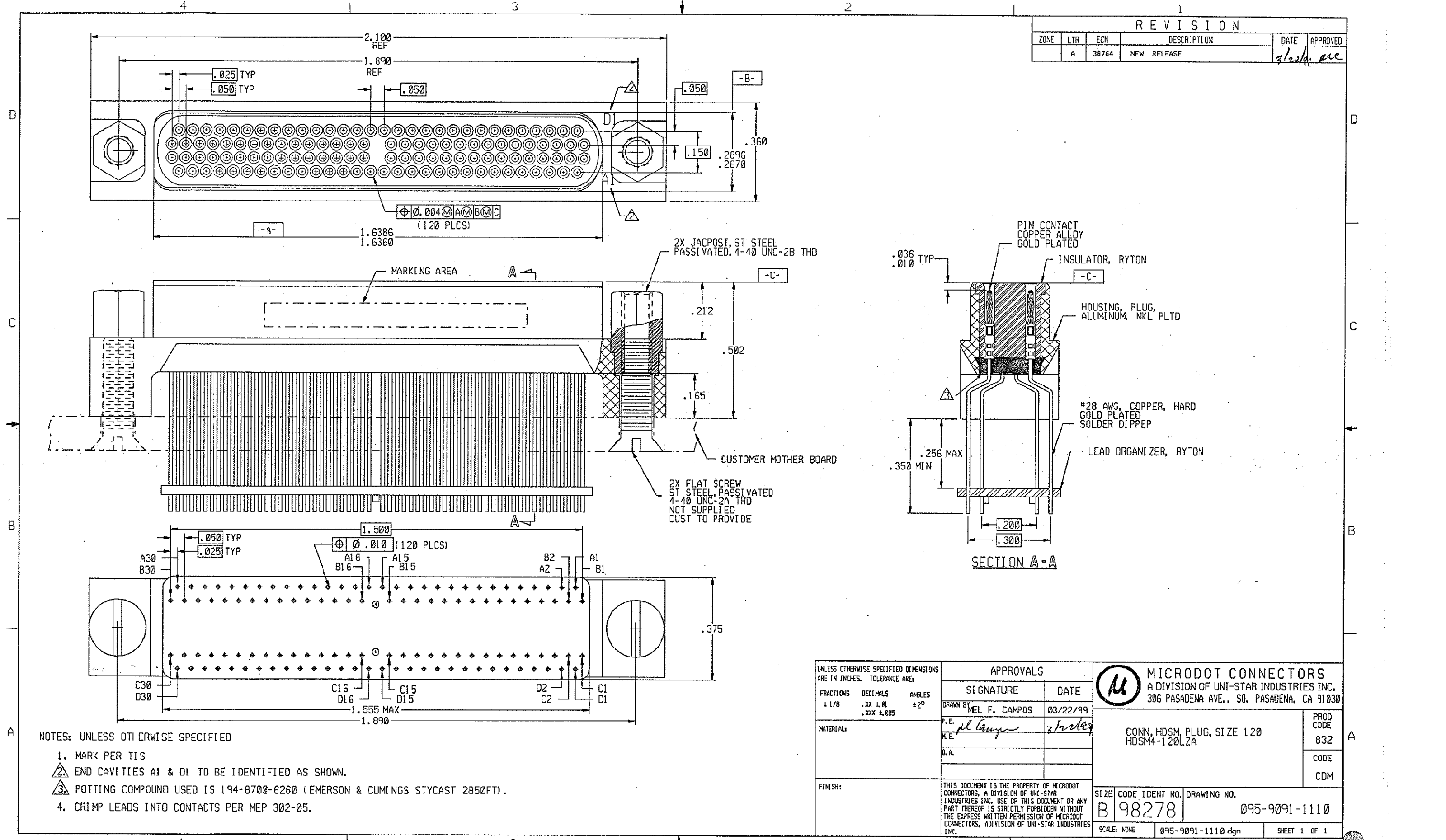


REVISION					
ZONE	LTR	ECN	DESCRIPTION	DATE	APPROVED
	A	38764	NEW RELEASE		<i>gls/arc</i>



NOTES: UNLESS OTHERWISE SPECIFIED

- MARK PER TIS
- END CAVITIES A1 & D1 TO BE IDENTIFIED AS SHOWN.
- POTTING COMPOUND USED IS 194-8702-6260 (EMERSON & CUMINGS STYCAST 2850FT).
- CRIMP LEADS INTO CONTACTS PER MEP 302-05.

UNLESS OTHERWISE SPECIFIED DIMENSIONS ARE IN INCHES. TOLERANCE ARE:			APPROVALS		MICRODOT CONNECTORS A DIVISION OF UNI-STAR INDUSTRIES INC. 306 PASADENA AVE., SO. PASADENA, CA 91030
FRACTIONS ± 1/8	DECIMALS .XX ± .01 .XXX ± .005	ANGLES ± 2°	SIGNATURE	DATE	
			MEL F. CAMPOS	03/22/99	CONN, HD5M, PLUG, SIZE 120 HDSM4-120LZA
MATERIALS:			P.E. <i>pl Campos</i>	DATE <i>3/22/99</i>	
FINISH:			THIS DOCUMENT IS THE PROPERTY OF MICRODOT CONNECTORS, A DIVISION OF UNI-STAR INDUSTRIES INC. USE OF THIS DOCUMENT OR ANY PART THEREOF IS STRICTLY FORBIDDEN WITHOUT THE EXPRESS WRITTEN PERMISSION OF MICRODOT CONNECTORS, A DIVISION OF UNI-STAR INDUSTRIES INC.		CODE CDM
			SIZE: B	CODE IDENT NO: 98278	DRAWING NO: 095-9091-1110
			SCALE: NONE	095-9091-1110 dgn	SHEET 1 OF 1