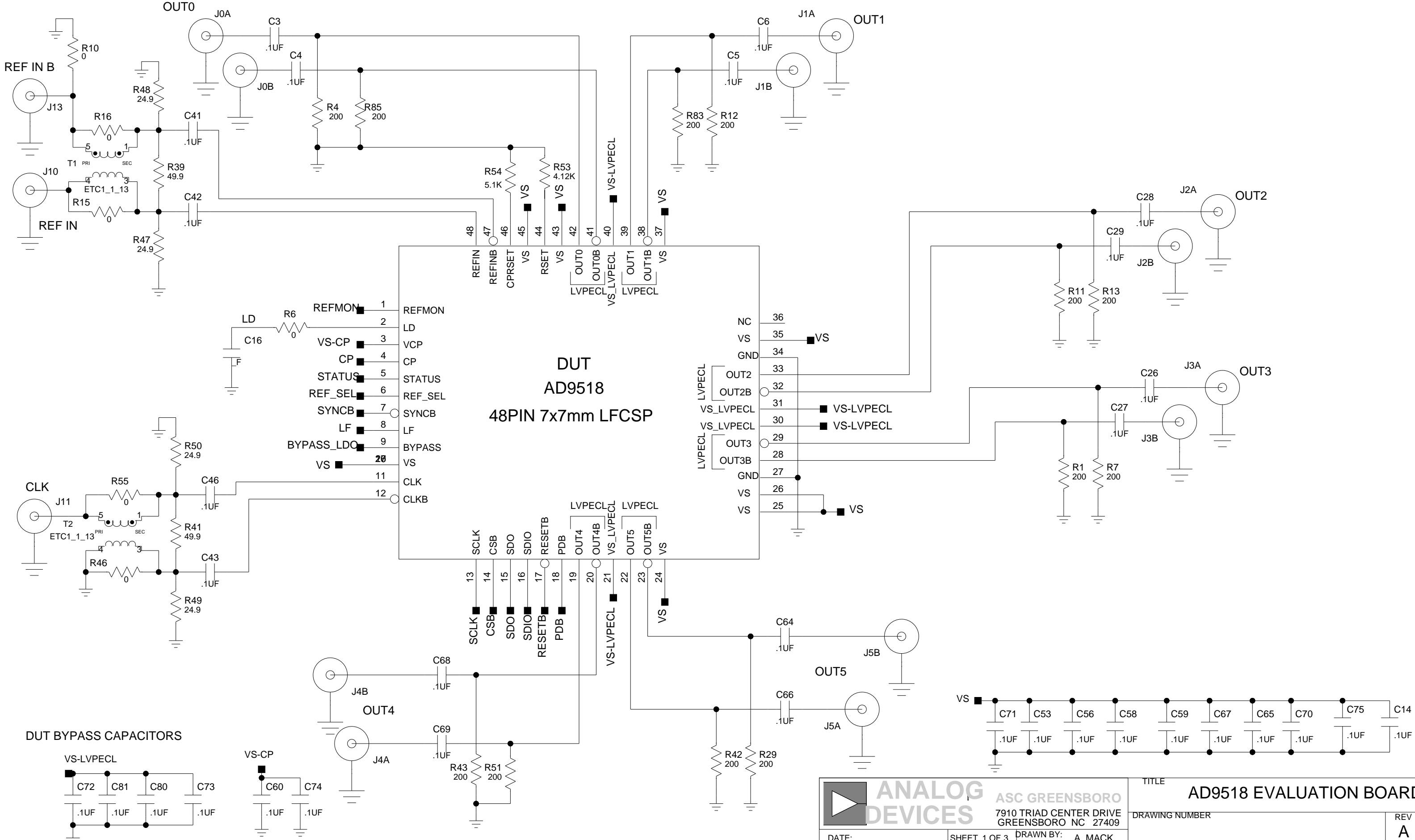


SOME TERMINATION COMPONENTS ARE OPTIONAL ONLY.  
REFER TO BOM(S) FOR TYPICAL COMPONENT INSTALLATION INFORMATION.

REVISIONS			
REV	DESCRIPTION	DATE	APPROVED
A	INITIAL RELEASE	20OCT06	P.Nelson



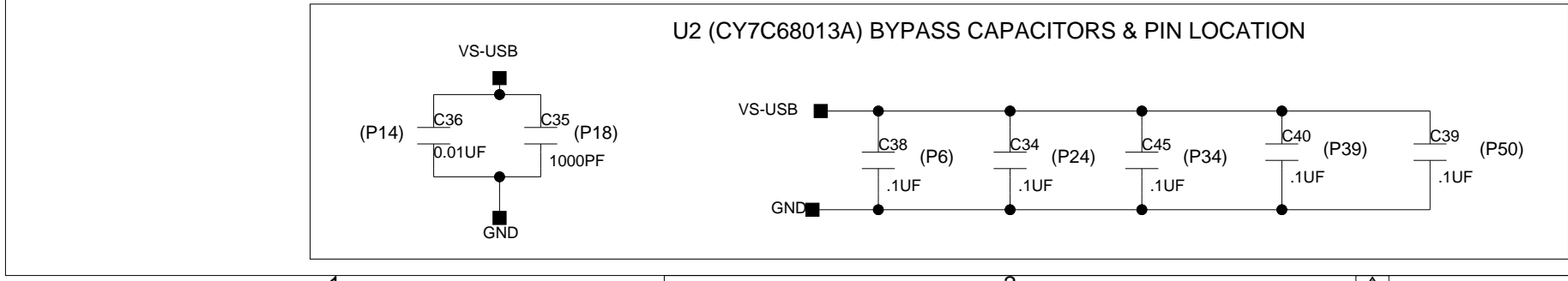
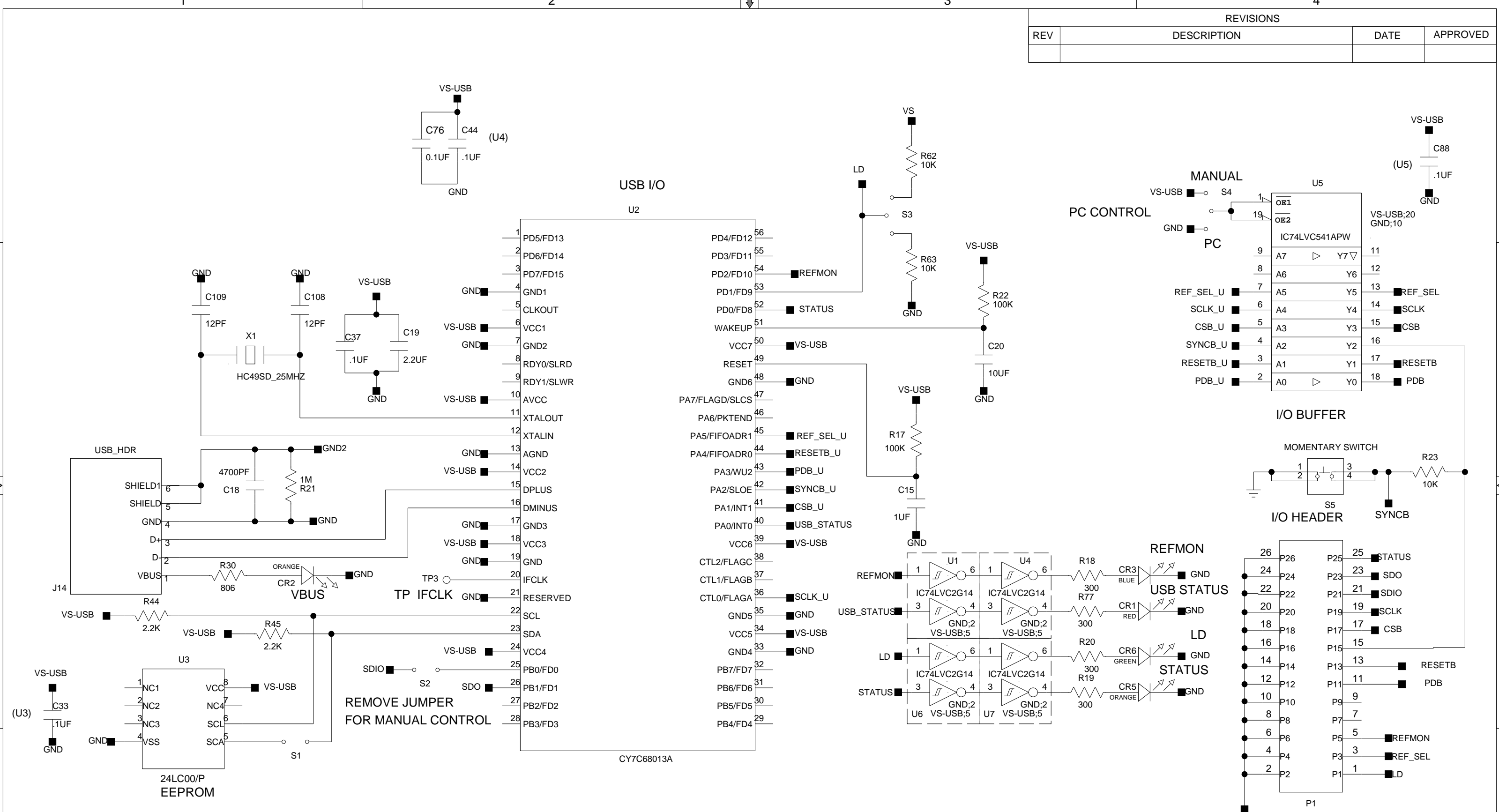
**ANALOG DEVICES** ASC GREENSBORO  
 7910 TRIAD CENTER DRIVE  
 GREENSBORO NC 27409

TITLE: **AD9518 EVALUATION BOARD**

DATE: SHEET 1 OF 3 DRAWN BY: A. MACK

DRAWING NUMBER: REV A

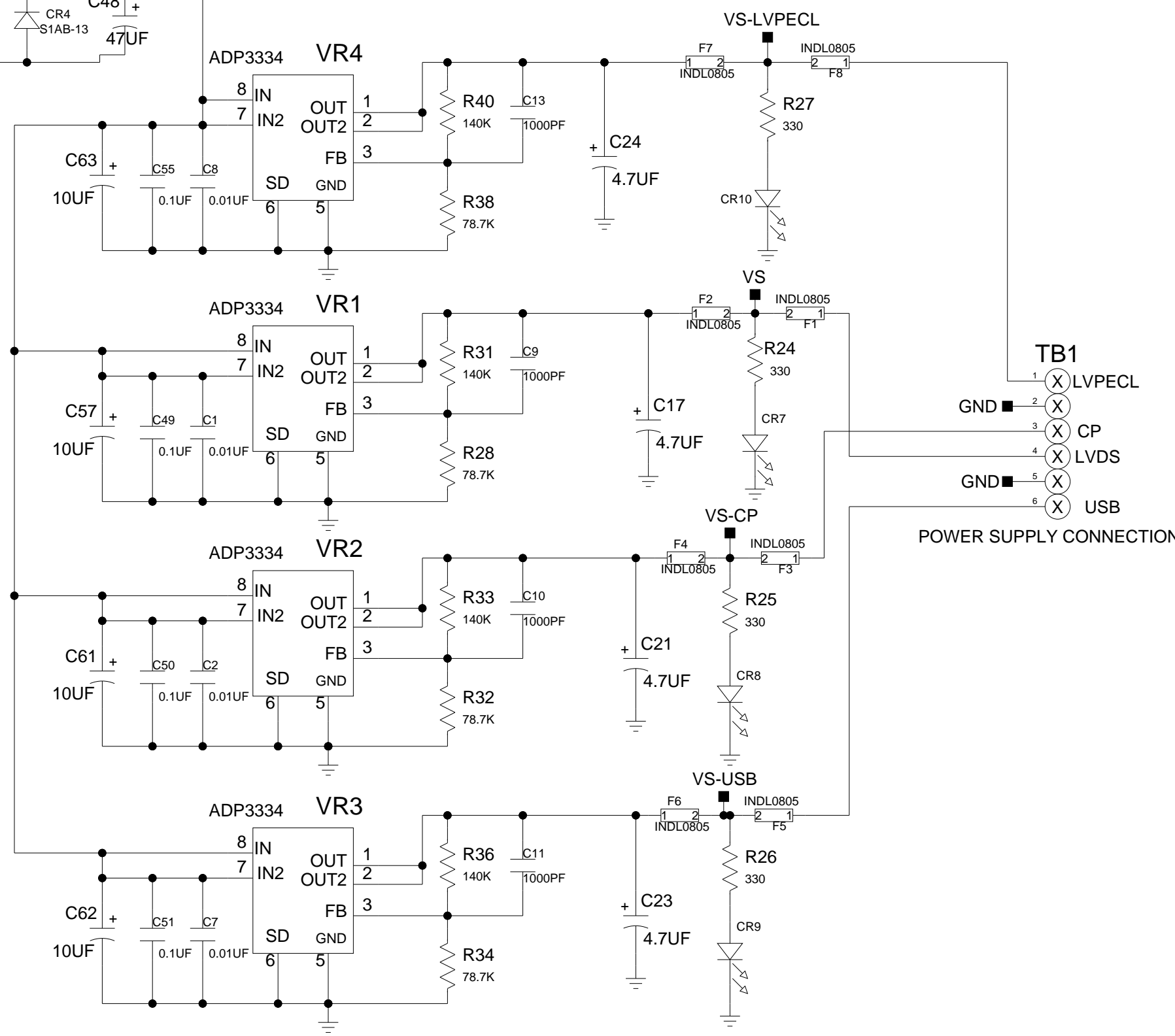
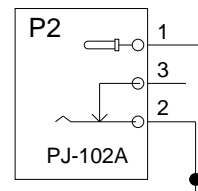
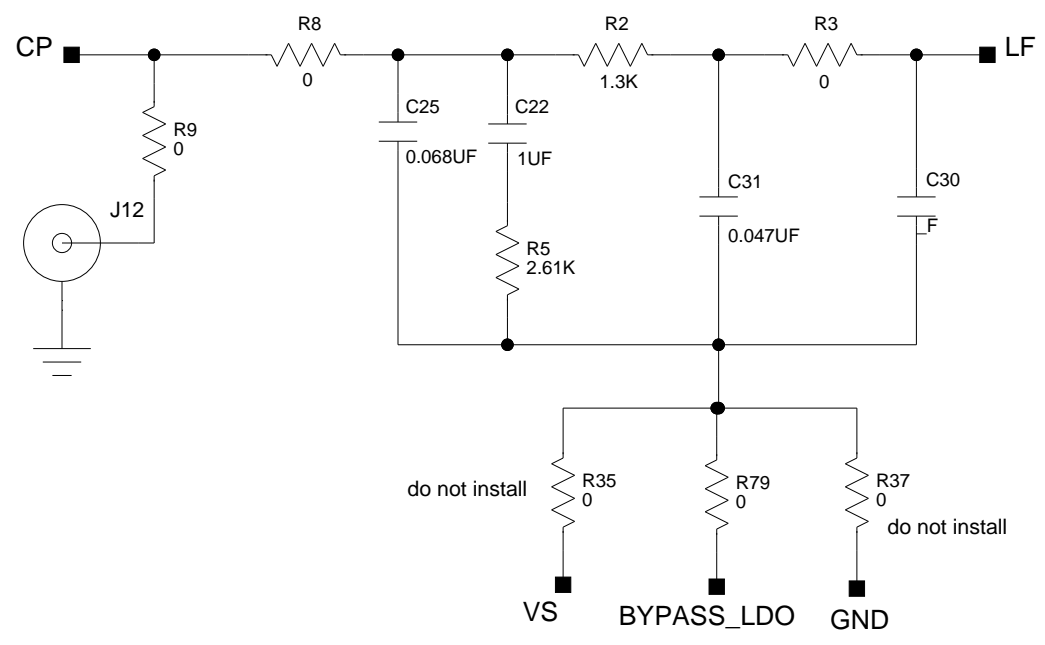
REVISIONS			
REV	DESCRIPTION	DATE	APPROVED



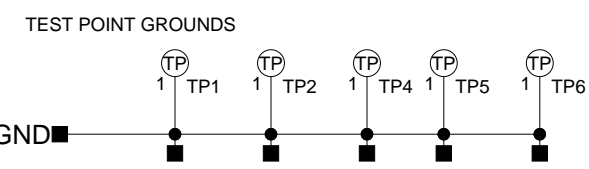
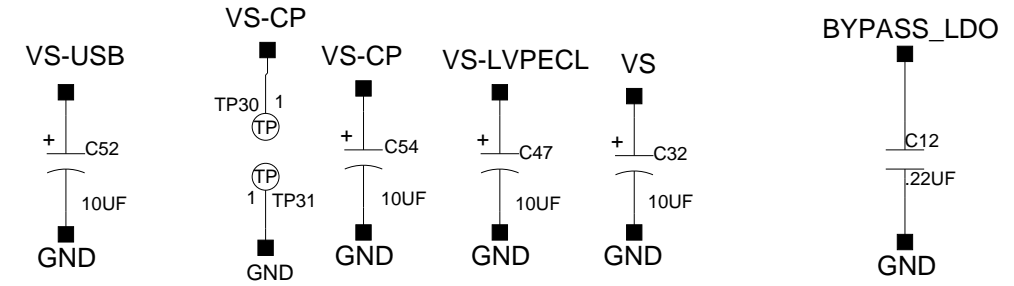
	<b>ASC GREENSBORO</b> 7910 TRIAD CENTER DRIVE GREENSBORO NC 27409	<b>TITLE</b> AD9518 EVALUATION BOARD
	<b>DATE:</b>	<b>SHEET 2 OF 3</b>


REVISIONS			
REV	DESCRIPTION	DATE	APPROVED

CHARGE PUMP FILTER



POWER SUPPLY BYPASS CAPACITORS





**ANALOG DEVICES**

**ASC GREENSBORO**  
7910 TRIAD CENTER DRIVE  
GREENSBORO NC 27409

TITLE: **AD9518 EVALUATION BOARD**

DRAWING NUMBER: \_\_\_\_\_

REV: **A**

DATE: \_\_\_\_\_

SHEET 3 OF 3

DRAWN BY: W. CLARK