

SPECIFICATION

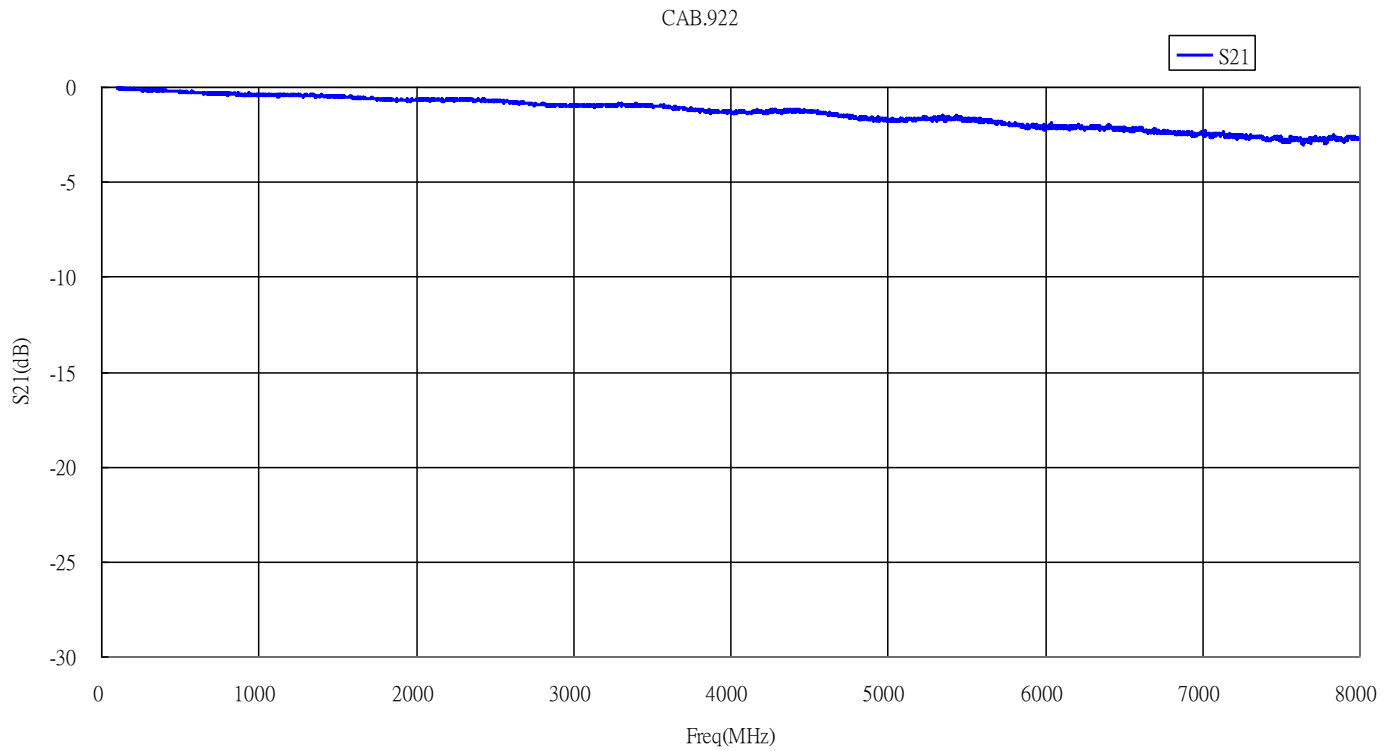
Part No. : **CAB.922**

Product Name : Taoglas Cable Assembly
SMA(F) Bulkhead Straight to
Murata GSC
with 95mm \varnothing 0.81mm cable

Photo :



1.0 Cable Insertion Loss

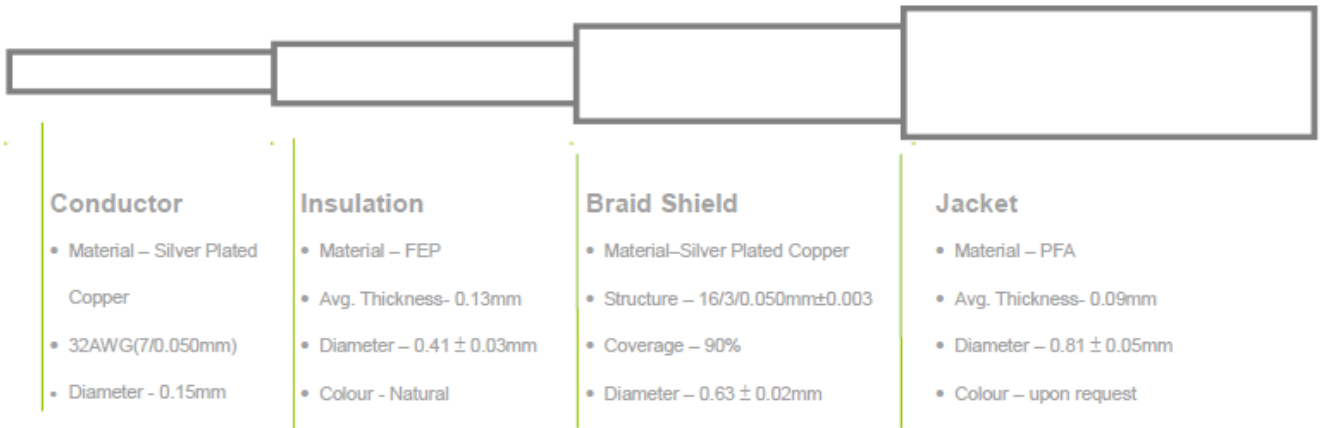


2.0 Ø0.81mm Cable Specification

2.1 Drawing – Cross Section



2.2 Structure and Dimensions

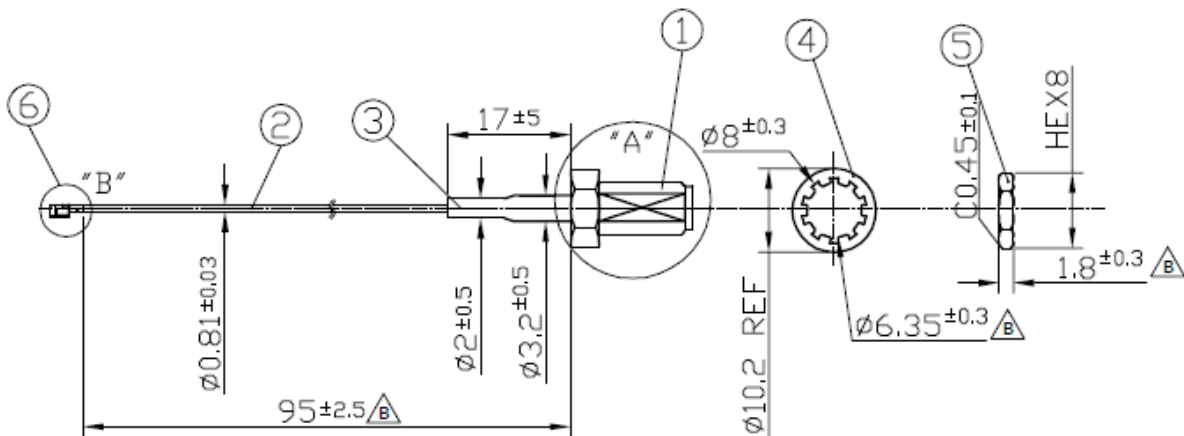
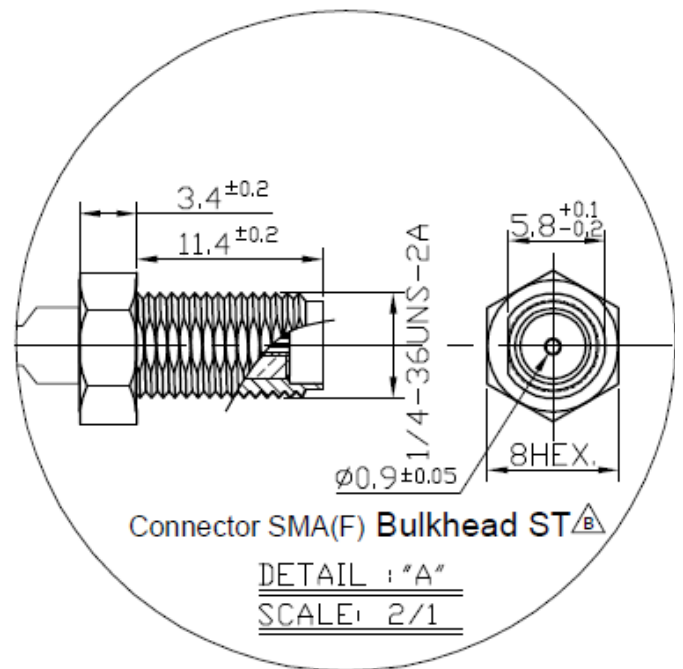
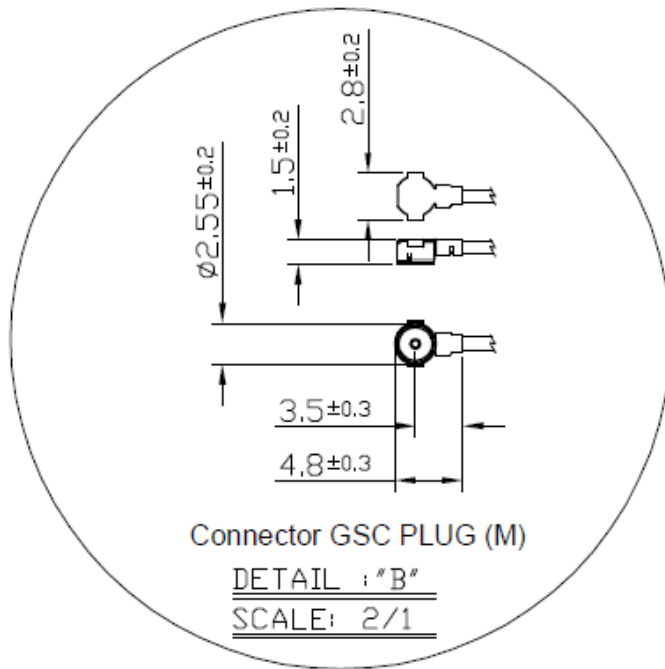


2.3 Electrical & Physical Specification

1	Insulation Resistance:	1000 MEGA OHM-KM Min.												
2	Conductor Resistance:	1400 OHM/KM/20°C Max.												
3	Dielectric Strength:	AC 1.0 KV/minute												
4	Spark test:	2.5 KV												
5	Nom. Impedance	50 ± 3 Ohms												
6	Nom. Capacitance	97 ± 3 pF/m												
7	Attenuation (dB/1M)	<table border="0"> <tr> <td>1.0GHz</td> <td>3.60</td> </tr> <tr> <td>2.0GHz</td> <td>5.10</td> </tr> <tr> <td>3.0GHz</td> <td>6.20</td> </tr> <tr> <td>4.0GHz</td> <td>7.50</td> </tr> <tr> <td>5.0GHz</td> <td>8.50</td> </tr> <tr> <td>6.0GHz</td> <td>9.40</td> </tr> </table>	1.0GHz	3.60	2.0GHz	5.10	3.0GHz	6.20	4.0GHz	7.50	5.0GHz	8.50	6.0GHz	9.40
1.0GHz	3.60													
2.0GHz	5.10													
3.0GHz	6.20													
4.0GHz	7.50													
5.0GHz	8.50													
6.0GHz	9.40													

3.0 Technical Drawing

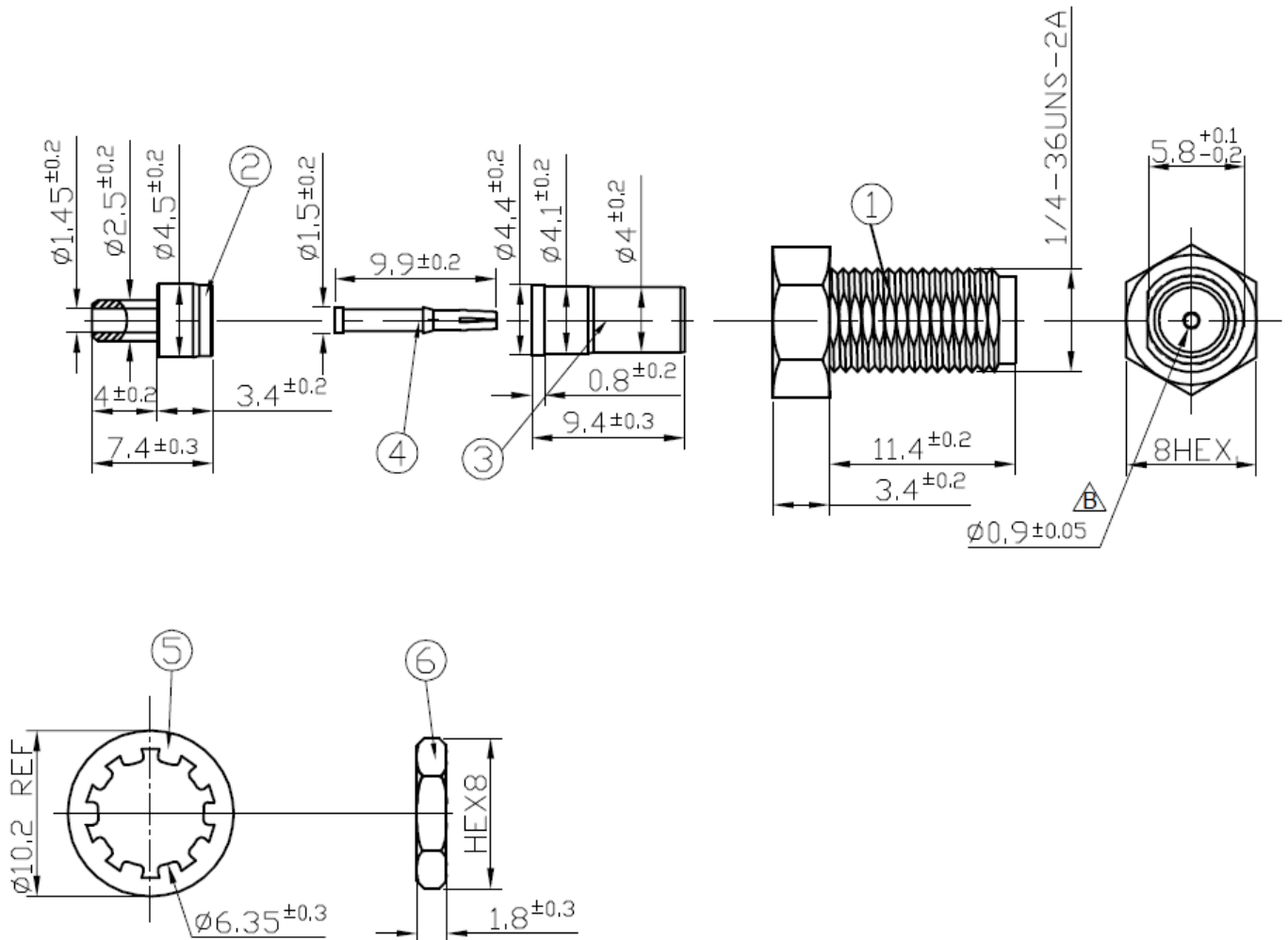
3.1 CAB.922



	Name	Part No.	Material	Finish	QTY
1	SMA(F) Bulkhead ST	SMA.F.ST.JACK.113.J	Brass	Gold	1
2	0.81 Coaxial Cable	OD.081.J	FEP Jacket	White / Gray \triangle_B	1
3	Heat Shrink Tube	001311H000013A	PE	Black	1
4	Washer		Brass	Gold	1
5	Nut		Brass	Gold	1
6	GSC	MUR.GSC.081	Brass	Silver	1

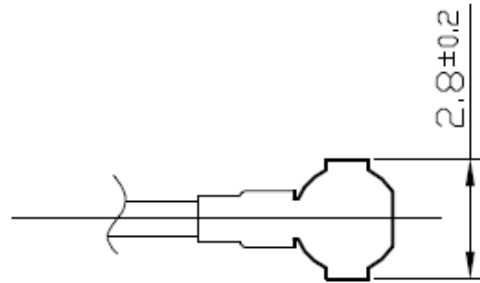
3.2 Connectors

3.2.1 SMA(F) Bulkhead Jack

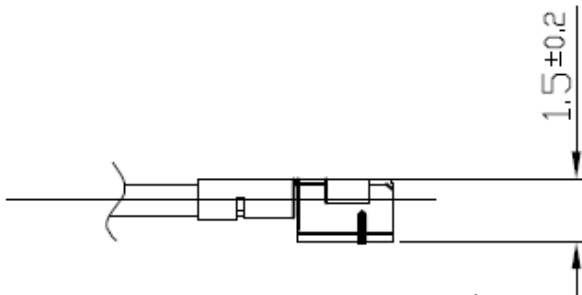


	Name	Material	Finish	QTY
1	Body	Brass	Gold	1
2	Body	Brass	Gold	1
3	Insulator	PTFE	White	1
4	Female Contact	Copper	Gold	1
5	Washer	Brass	Gold	1
6	Nut	Brass	Gold	1

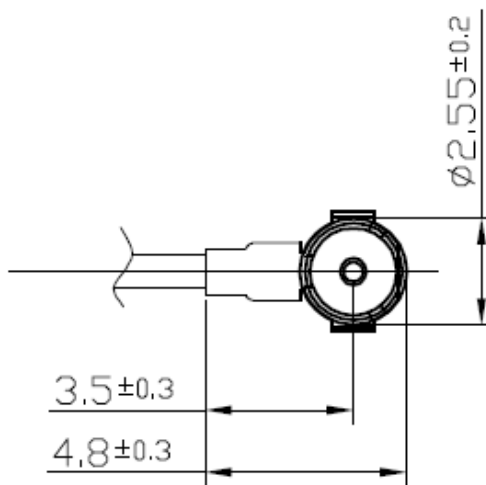
3.2.2 Murata GSC



Bottom



Side



Top

Mated View

