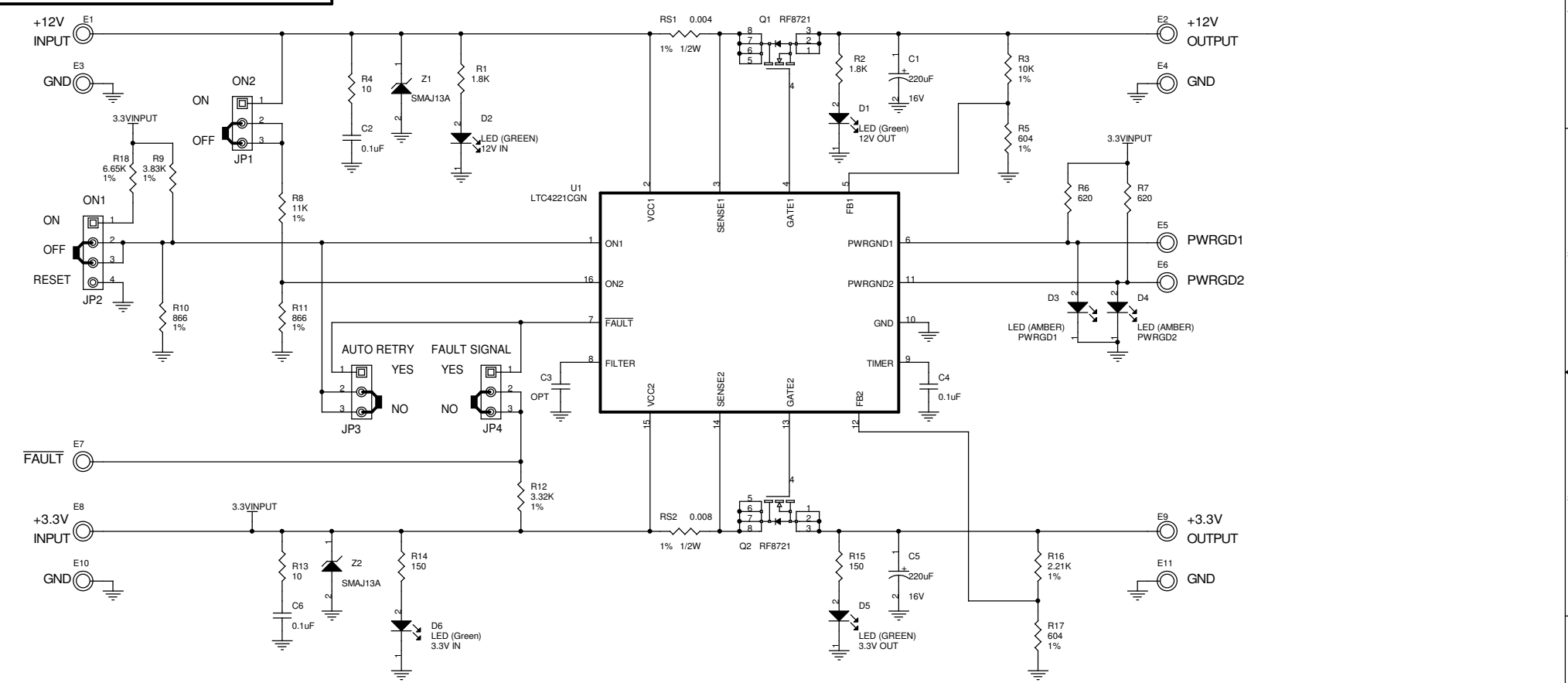



This circuit is proprietary to Linear Technology and supplied for use with Linear Technology parts.  
**Customer Notice:** Linear Technology has made a best effort to design a circuit that meets customer-supplied specifications; however, it remains the customer's responsibility to verify proper and reliable operation in the actual application. Component substitution and printed circuit board layout may significantly affect circuit performance or reliability. Contact Linear Applications Engineering for assistance.

REVISION HISTORY				
ECO	REV	DESCRIPTION	DATE	APPROVED
	2	PROTO	02/26/08	

For Re-Order Use Rev 3



CONTRACT NO.		 1630 McCarthy Blvd. Milpitas, CA 95035 Phone: (408)432-1900 Fax: (408)434-0507			
APPROVALS	DATE				
DRAWN MI	11/06/07				
CHECKED					
APPROVED					
ENGINEER		TITLE	SCH, LTC4221CGN, DUAL HOT SWAP CONTROLLER		
DESIGNER		SIZE	CAGE CODE	DWG NO	REV
				DC1355A	2
Monday, June 16, 2008	SCALE: NONE	FILENAME: 1355A-2.DSN	SHEET	1	OF 1