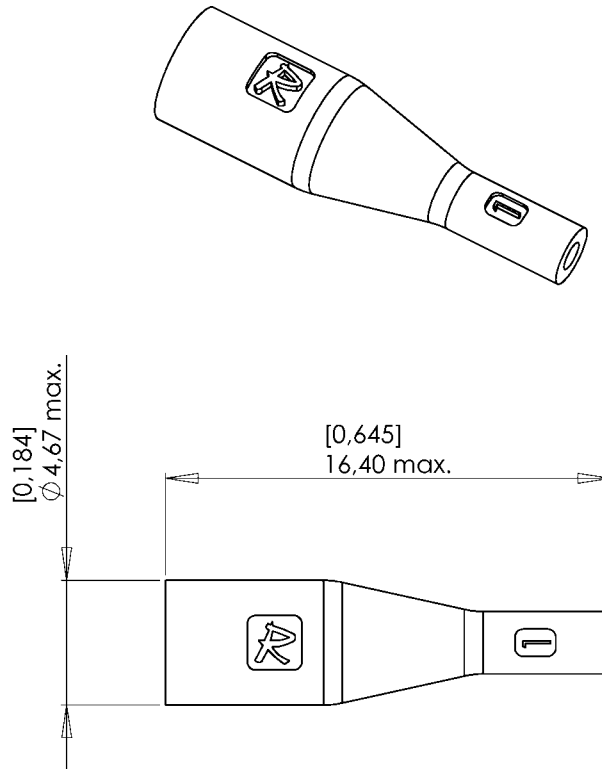


BOOT FOR Ø 0.9 MM CABLE

Packaging  
100Series  
LCIssue  
08 07 02Page  
1 / 1

Original dimensions in mm [inch]

**GENERAL**

- Compatible with LC connectors
- Suitable for use with cable size Ø 0.9 mm
- Compatible with Bellcore GR 326 specification (V0, LOI 28 % mini.)
- Color : **White**