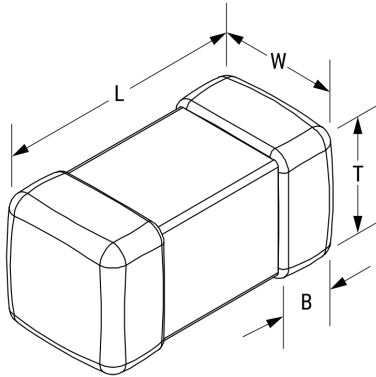


L0603CR27KSMST

Aliases (L0603CR27KSMST)

Obsolete

KEMET, L-SMS, Commercial Grade, 0.27 uH, 10%



Click [here](#) for the 3D model.

Dimensions

Chip Size	0603
L	1.6mm +/-0.15mm
W	0.8mm +/-0.15mm
T	0.8mm +/-0.15mm
LL	0.3mm +/-0.2mm
B	0.3mm +/-0.2mm

Packaging Specifications

Packaging	T&R
Packaging Quantity	4000

General Information

Series	L-SMS
Style	SMD Chip
Description	Shielded, Surface Mount Inductor
Features	Standard Type
RoHS	Yes
Core	Ceramic
Winding Type	Multilayer
Notes	Suggested Replacement - https://www.chilisin.com/en-global/Inductor/Product/BSCL_160808/BSCL00160808R27K00 .

Specifications

Inductance	0.27 uH
Inductance Tolerance	10%
Temperature Range	-40/+85°C
Current	50 mAmps (MAX)
DC Resistance	0.8 Ohms
Quality Factor	15 at 25 MHz
Self-Resonant Frequency	136 MHz