

Customer Information Sheet

DRAWING No.: M50-360XX42R

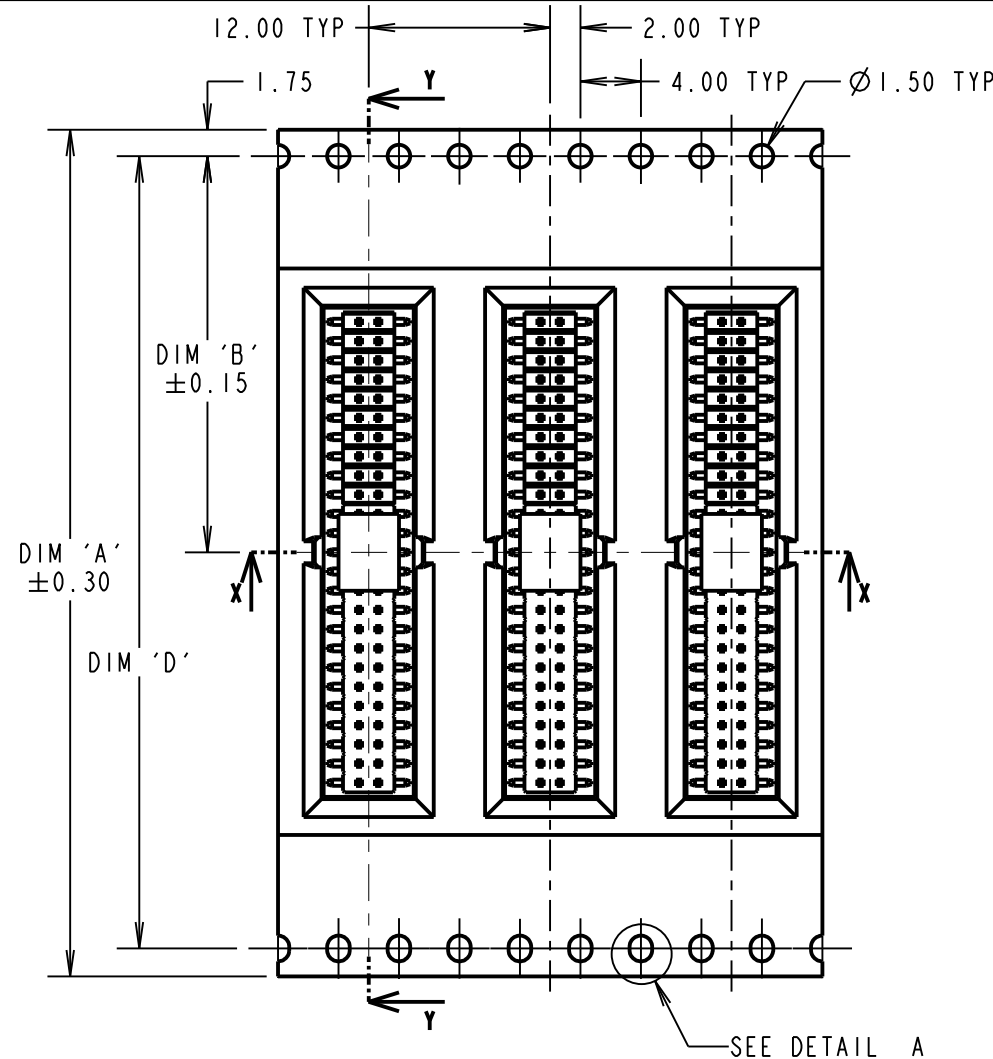
IF IN DOUBT - ASK

©

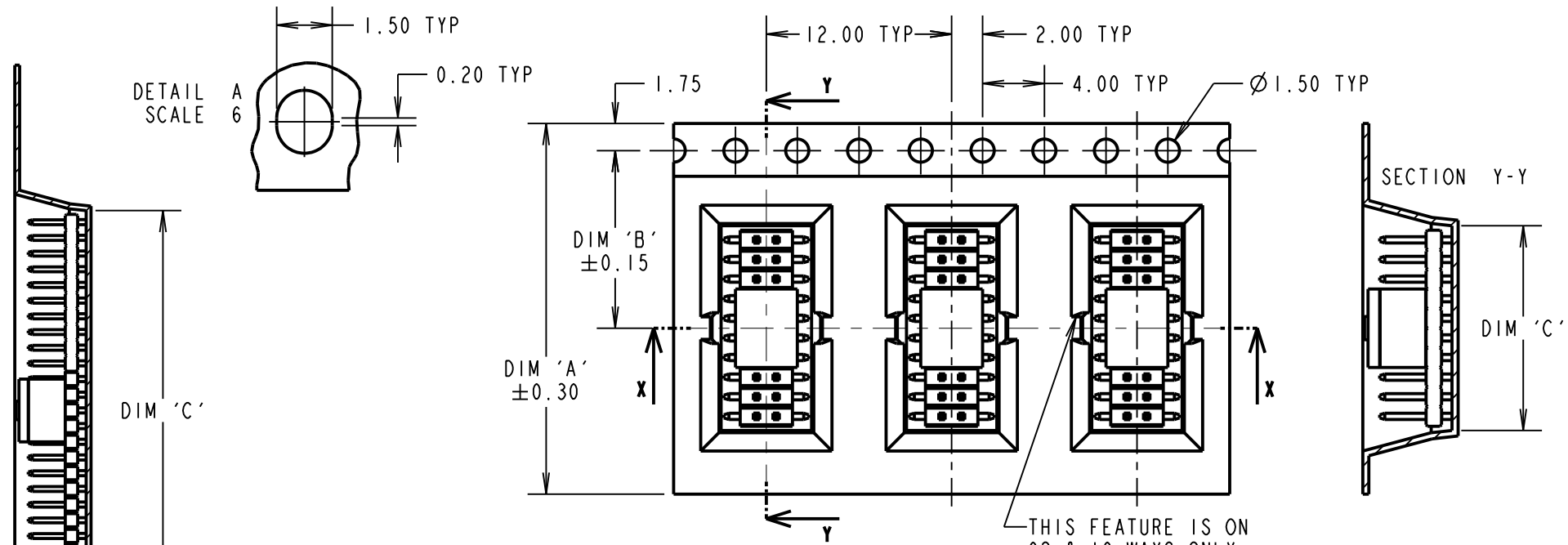
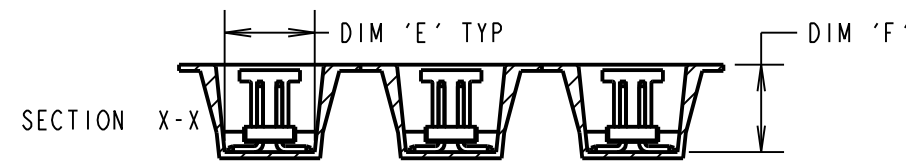
NOT TO SCALE

THIRD ANGLE PROJECTION

ALL DIMENSIONS IN mm



TAPE DETAILS FOR 20 & 25 WAYS



TAPE DETAILS FOR 02, 03, 04, 05, 06, 08 & 10 WAYS

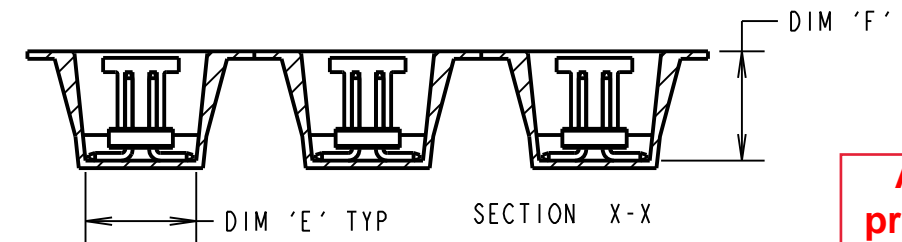
OBSOLETE
All other size/finish combinations not listed below

ORDER CODE:

M50-360XX42R

No. OF CONTACTS PER ROW:
02, 03, 04, 05, 06, 08, 10, 20, 25

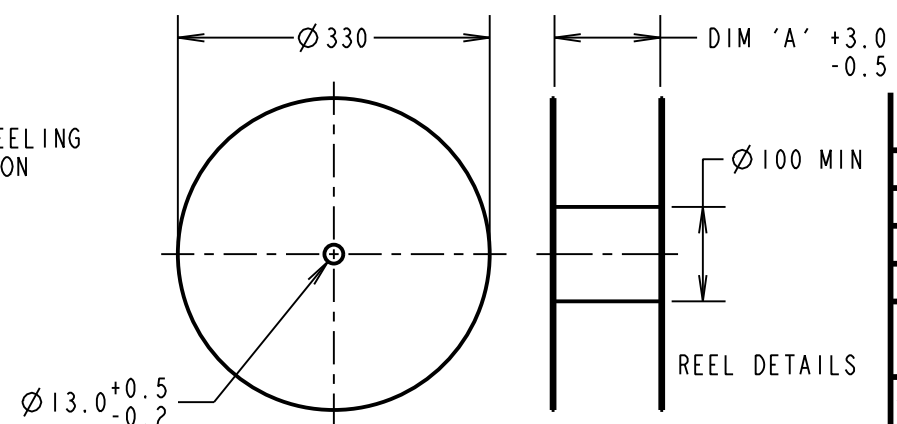
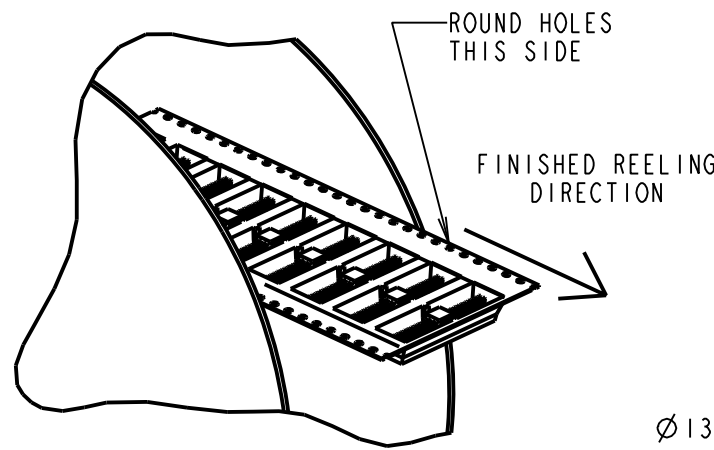
FINISH:
42 = SELECTIVE GOLD & 100% TIN OVER NICKEL



Active products:

- M50-3600242R
- M50-3600342R
- M50-3600542R
- M50-3600642R
- M50-3600842R
- M50-3601042R
- M50-3602542R

REELED PART No.	DIM 'A'	DIM 'B'	DIM 'C'	DIM 'D'	DIM 'E'	DIM 'F'	REEL QTY	
M50-3600242R	16.00	7.50	3.60	N/A	5.85	5.78	750	
M50-3600342R			4.00		5.85			
M50-3600442R			5.40		5.78			
M50-3600542R	24.00	11.50	6.65	N/A	5.90	5.78	800	
M50-3600642R			7.90		5.85			
M50-3600842R			10.79		6.00			6.15
M50-3601042R			13.00		5.85			5.78
M50-3602042R	44.00	20.20	25.70	40.40	5.95	5.78	750	
M50-3602542R	56.00	26.20	32.10	52.40	5.95	5.78	750	



MGP	16	05.01.22	31219
NAME	ISS.	DATE	CN/CO
APPROVED: MGP			
CHECKED: MR			
DRAWN: R.ADDE			
CUSTOMER REF.:			
ASSEMBLY DRG:			

- NOTES:
- CUMULATIVE TOLERANCES OVER 10 PITCHES = ± 0.20 mm
 - TAPE & REELING TO BE IN ACCORDANCE WITH EIA-481 (ELECTRONIC INDUSTRIES ASSOCIATION).
 - FOR CONNECTOR DETAILS SEE SHEET 4.

HARWIN
www.harwin.com
technical@harwin.com

THIS DRAWING AND ANY INFORMATION OR DESCRIPTIVE MATTER SET OUT HEREON ARE CONFIDENTIAL AND COPYRIGHT PROPERTY OF THE HARWIN GROUP AND MUST NOT BE DISCLOSED, LOANED, COPIED OR USED FOR MANUFACTURING, TENDERING OR FOR ANY OTHER PURPOSE WITHOUT THEIR WRITTEN PERMISSION.

TOLERANCES
X. = ± 1 mm
X.X = ± 0.50 mm
X.XX = ± 0.20 mm
X.XXX = ± 0.01 mm
ANGLES = $\pm 5^\circ$
UNLESS STATED

MATERIAL:
SEE ABOVE
FINISH: SEE ABOVE
S/AREA: mm²

TITLE: 1.27mm PITCH DIL SMT VERT
LOW PROFILE SOCKET ASSY
(TAPE & REEL)

DRAWING NUMBER:
M50-360XX42R

SHT
3
OF
4

Customer Information Sheet

DRAWING No.: M50-360XX42R

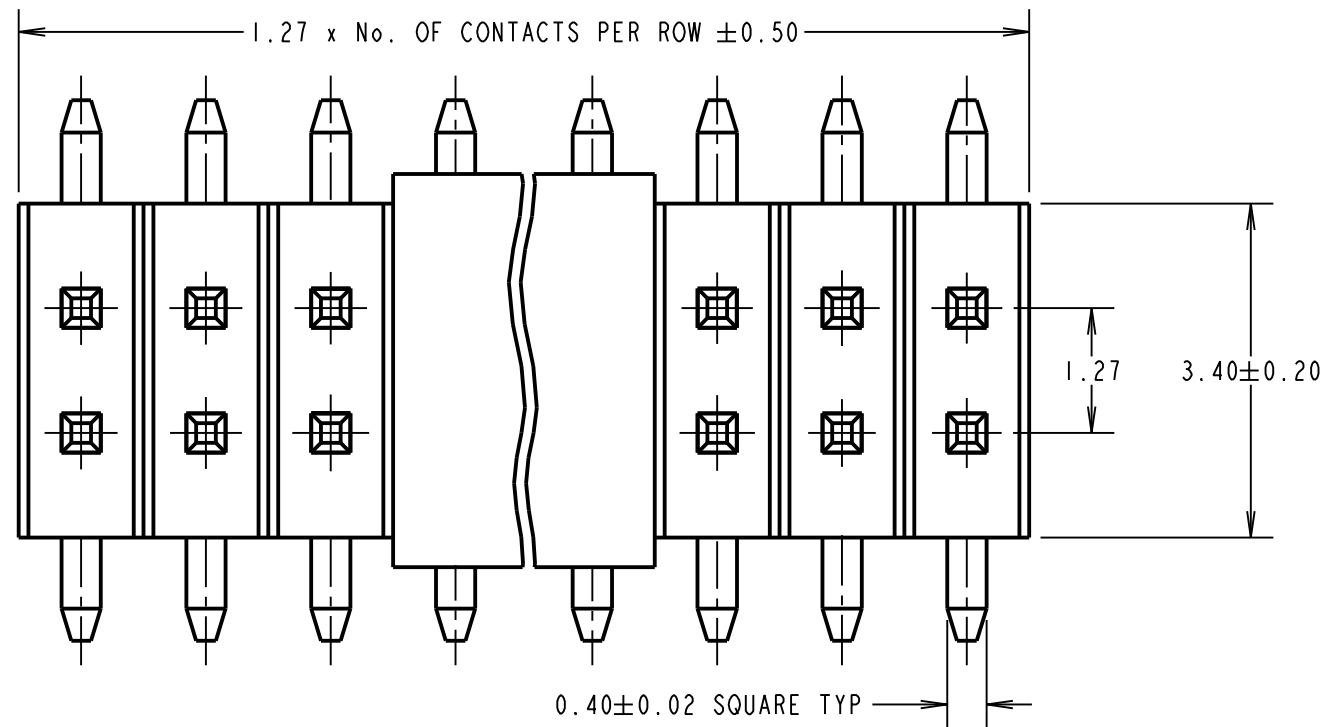
IF IN DOUBT - ASK

©

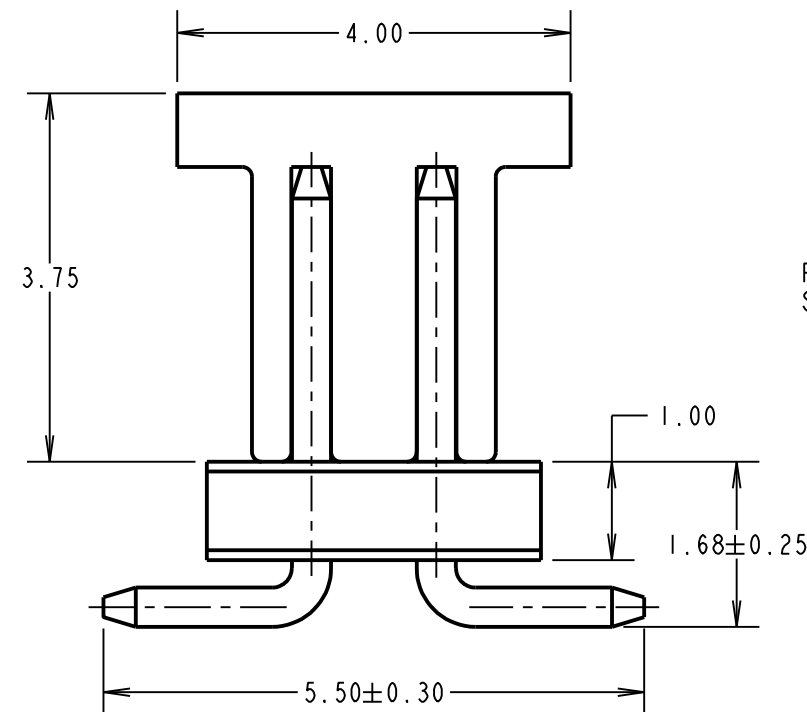
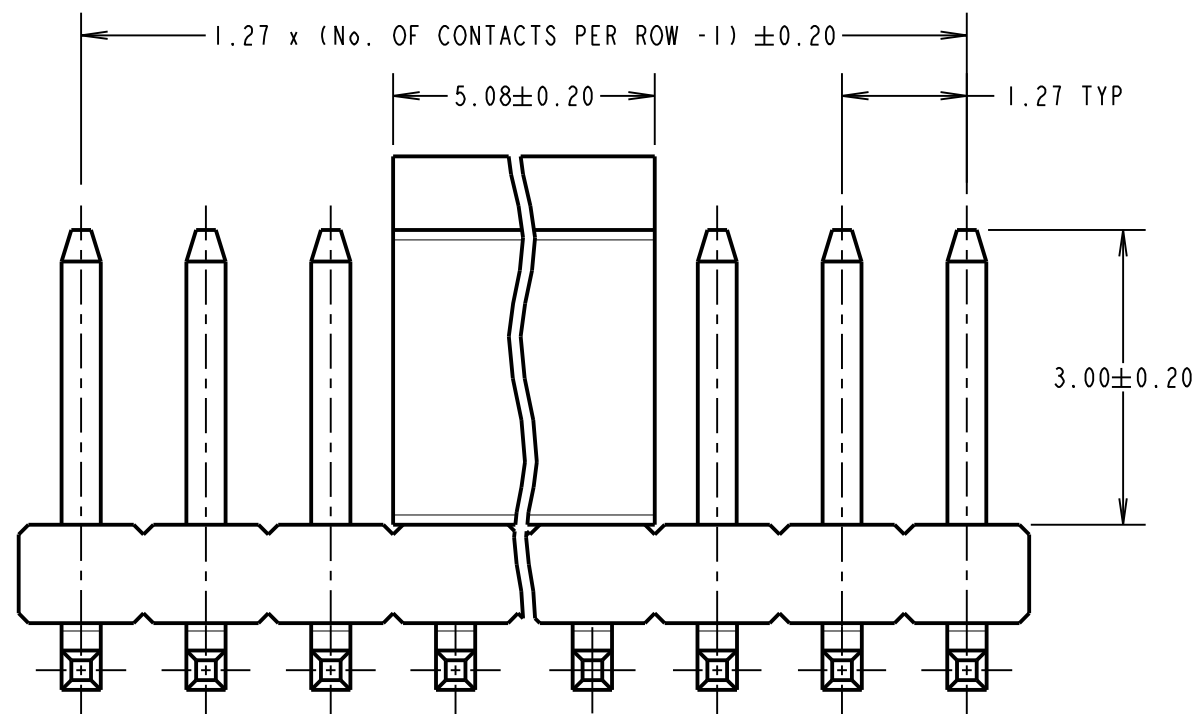
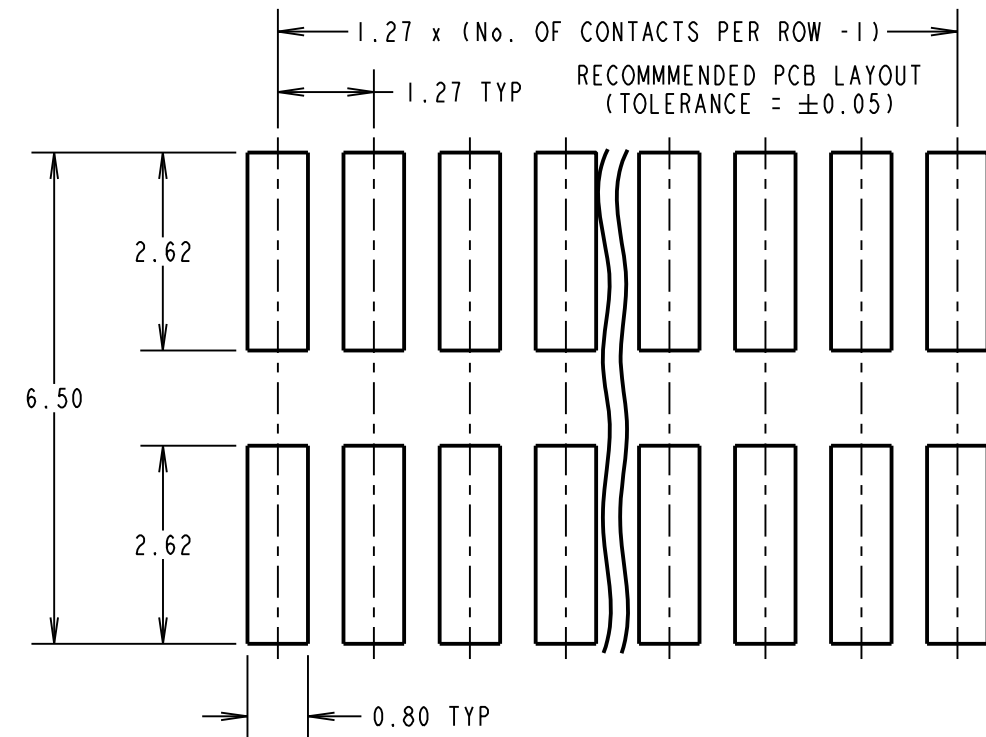
NOT TO SCALE

THIRD ANGLE PROJECTION

ALL DIMENSIONS IN mm



Active products:
M50-3600242R
M50-3600342R
M50-3600542R
M50-3600642R
M50-3600842R
M50-3601042R
M50-3602542R



SPECIFICATIONS:

MATERIAL:

MOULDING = HIGH TEMP THERMOPLASTIC,
UL94V-0, BLACK

CONTACTS = COPPER ALLOY

FINISH:

CONTACTS = 0.70 TO 1.30 μm NICKEL ALL OVER,
0.08 TO 0.15 μm GOLD ON CONTACT AREA,
2.50 TO 3.00 μm 100% TIN ON TAILS

PACKING:

BOX

FOR COMPLETE SPECIFICATION, SEE COMPONENT SPECIFICATION C029XX (LATEST ISSUE)

OBSOLETE

All other size/finish combinations not listed above

ORDER CODE:

M50-360XX42R

No. OF CONTACTS PER ROW: _____
02, 03, 04, 05, 06, 08, 10, 20, 25

FINISH: _____
42 = SELECTIVE GOLD & 100% TIN OVER NICKEL

NOTES:

- CO-PLANARITY OF TAILS FOR 02 TO 30 CONTACTS PER ROW = 0.15mm,
31 TO 50 CONTACTS PER ROW = 0.20mm.
- ALL TOLERANCES ARE ± 0.15 , UNLESS OTHERWISE STATED.
- FOR TAPE AND REEL DETAILS, SEE SHEET 3.

HARWIN

www.harwin.com
technical@harwin.com

THIS DRAWING AND ANY INFORMATION OR DESCRIPTIVE MATTER SET OUT HEREON ARE CONFIDENTIAL AND COPYRIGHT PROPERTY OF THE HARWIN GROUP AND MUST NOT BE DISCLOSED, LOANED, COPIED OR USED FOR MANUFACTURING, TENDERING OR FOR ANY OTHER PURPOSE WITHOUT THEIR WRITTEN PERMISSION.

TOLERANCES
X = $\pm 1\text{mm}$
X.X = $\pm 0.50\text{mm}$
X.XX = $\pm 0.20\text{mm}$
X.XXX = $\pm 0.01\text{mm}$
ANGLES = $\pm 5^\circ$
UNLESS STATED

MATERIAL:

SEE ABOVE

FINISH: SEE ABOVE

S/AREA:

mm²

TITLE: 1.27mm PITCH DIL SMT VERT
LOW PROFILE SOCKET ASSY
(TAPE & REEL)

DRAWING NUMBER:

M50-360XX42R

SHT
4
OF
4

MGP	16	05.01.21	31219
NAME	ISS.	DATE	CN/CO
APPROVED: MGP			
CHECKED: MR			
DRAWN: R.ADDE			
CUSTOMER REF.:			
ASSEMBLY DRG:			