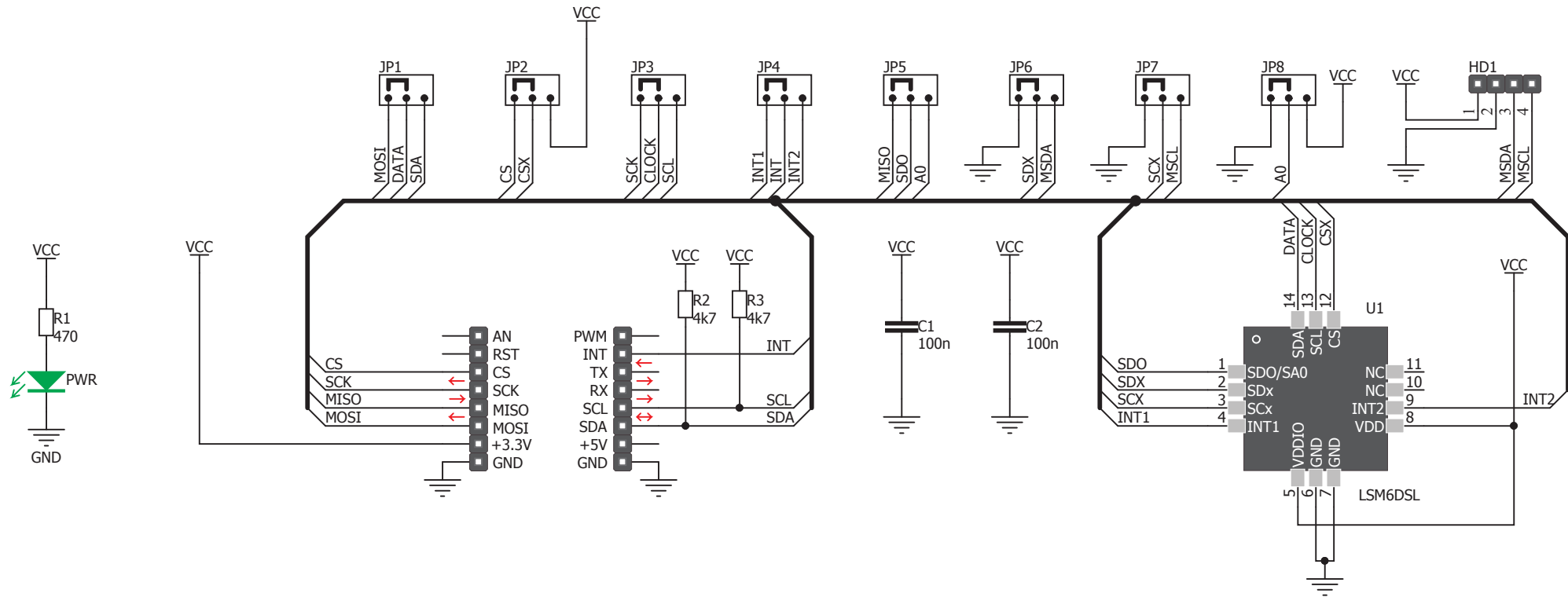


LSM6DSL click schematic v100



www.mikroe.com