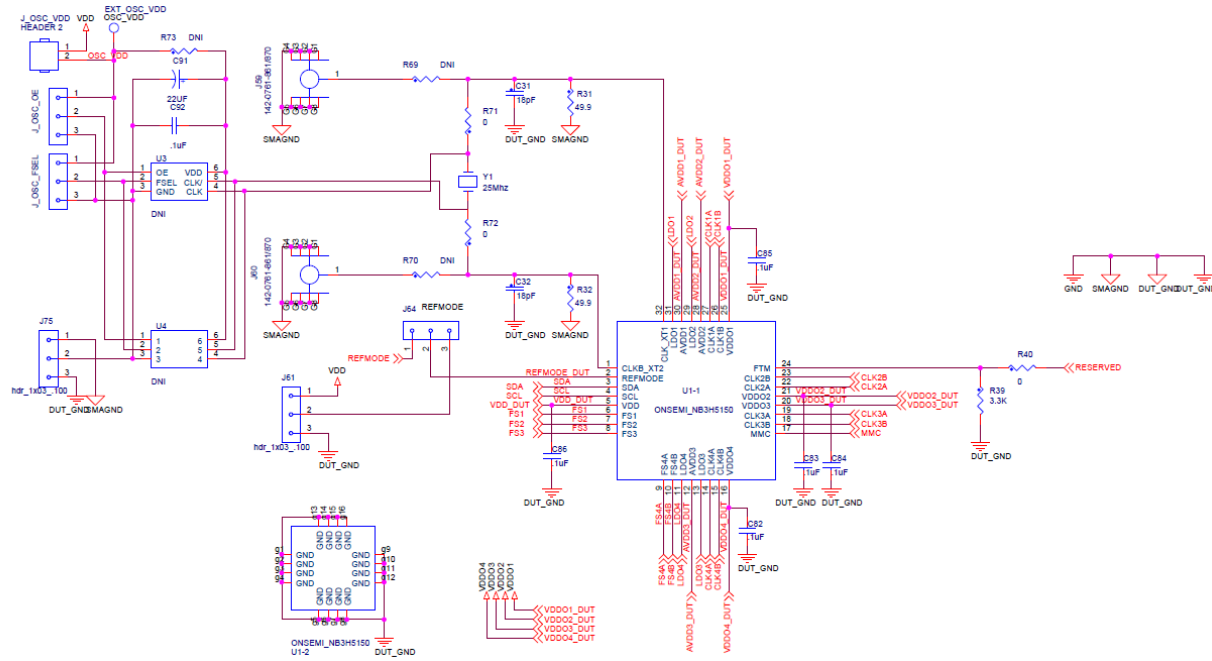


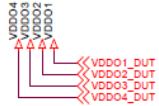
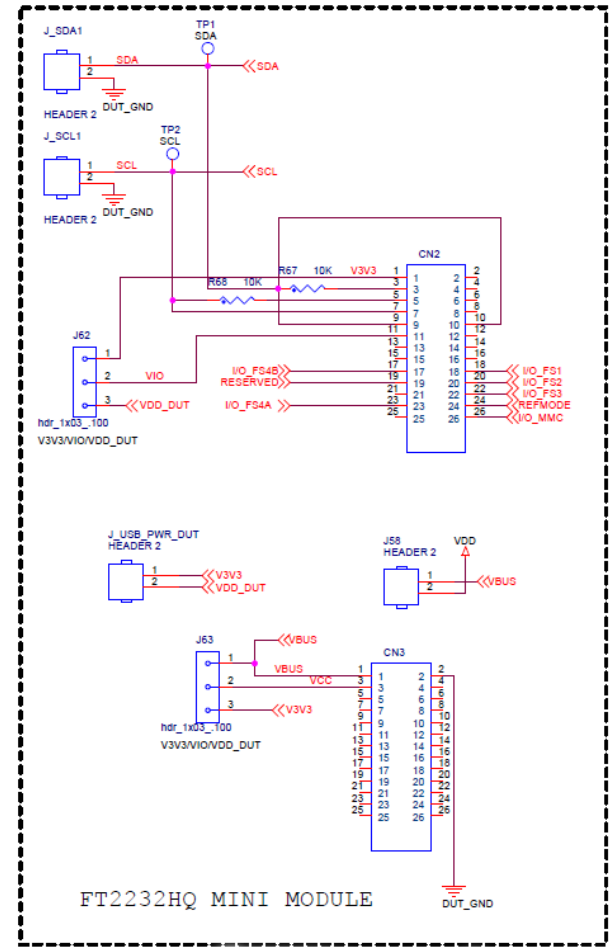
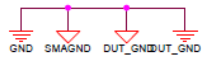
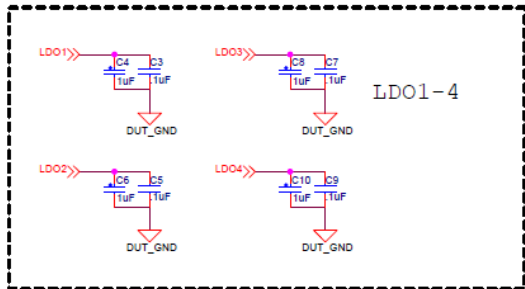
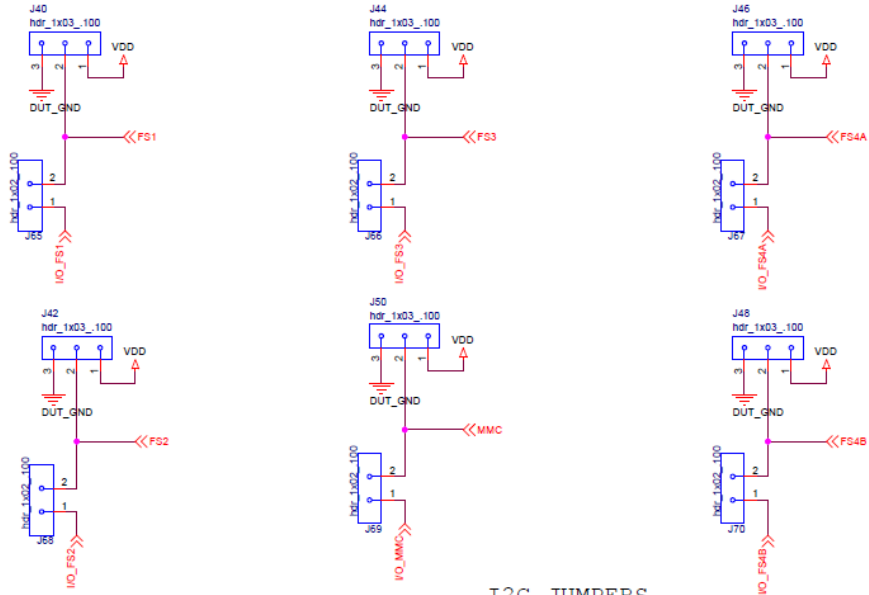


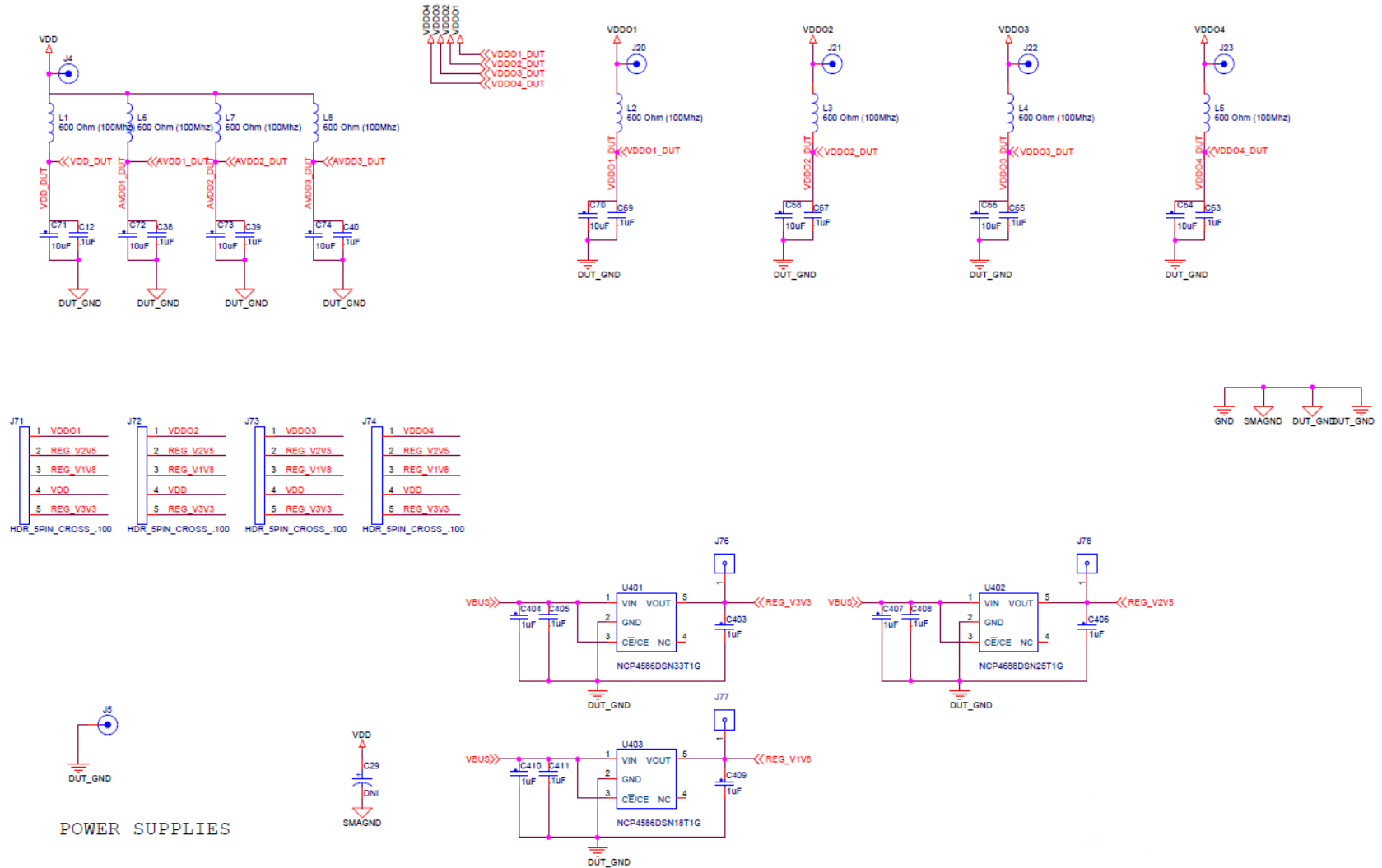
Schematic for the NB3H5150MNGEVB Evaluation Board





CLK2





POWER SUPPLIES

