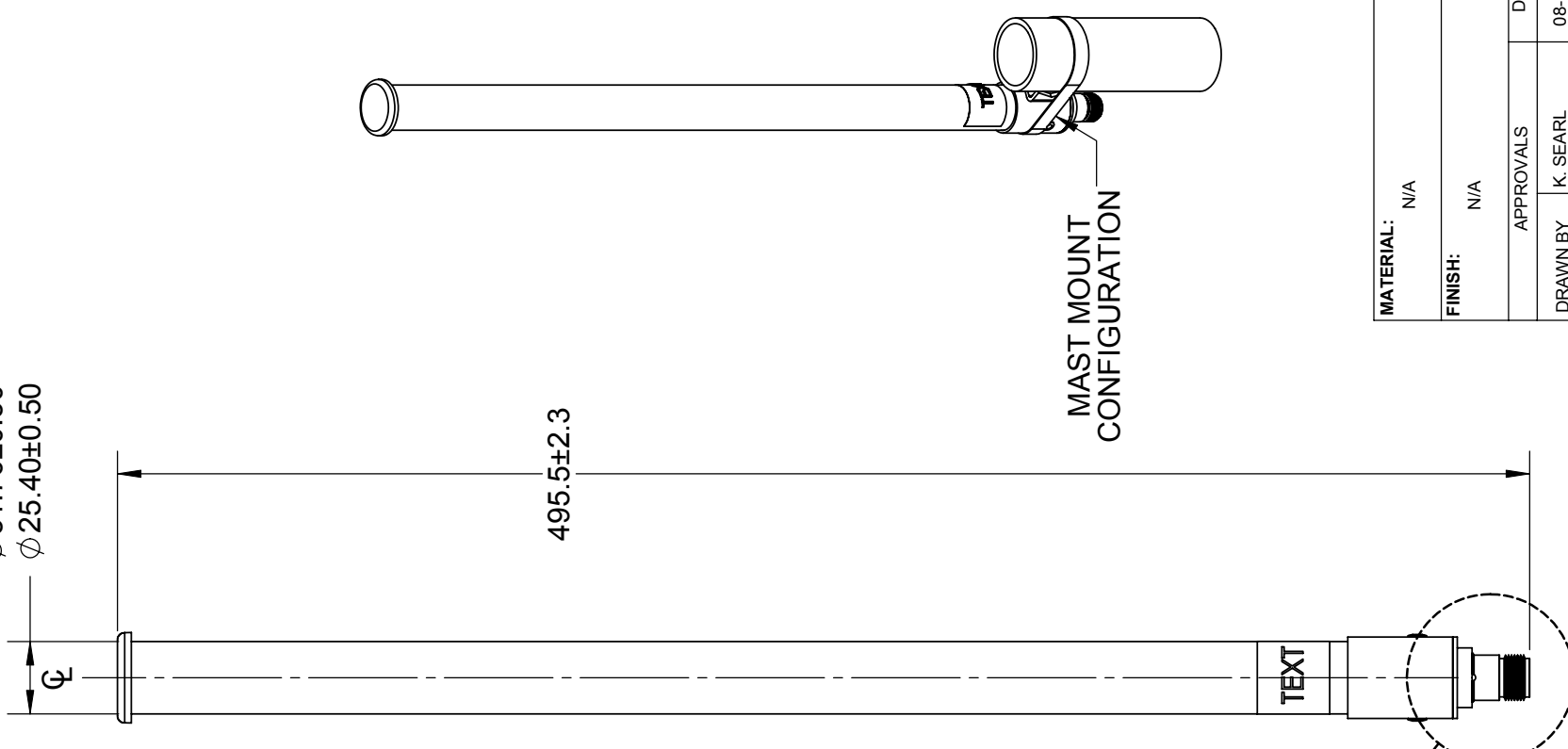


6 5 4 3 2 1

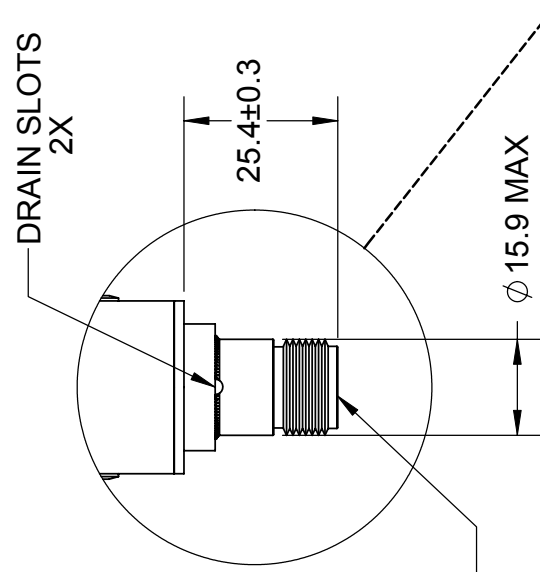
REVISIONS			
REV.	ECR #	DESCRIPTION	APPROVED BY/DATE
AA		INITIAL RELEASE	K.S. 10-22-07
AB	MAN-4156	CHGED CAP ON RADOME TO 156911-VENTED TO INVERT UNIT.	MCL 08-24-10 K.S. 08-24-10

D

VENTED CAP FOR INVERTED MOUNTING
 $\phi 31.76 \pm 0.50$
 $\phi 25.40 \pm 0.50$



MAST MOUNT CONFIGURATION



DETAIL A
SCALE 2 : 2.5

Parameter

Parameter	Performance
Model Number	S4908WBFNF
Frequency	4.9 - 5.875 GHz
Gain (4.9 - 5.875 GHz)	10 dBi
Polarization	Linear
VSWR	2.0:1
E-Plane 3 dB Beamwidth	8 Degrees
H-Plane 3 dB Beamwidth	Omnidirectional
RF Connector	Fixed N-Female
Power	10 Watts
Weight (Antenna)	.4 lb.
Radome	White UV Polycarbonate
Operating Temp. Range	-30C to +70C
Storage Temp. Range	-40C to +85C

C

B

A

S4908WBFNF	
MATERIAL:	N/A
FINISH:	N/A
 THIRD ANGLE PROJECTION DO NOT SCALE DRAWING	
INTERPRET DIMENSIONING AND TOLERANCING IN ACCORDANCE WITH ASME Y14.5M-2009	
TOLERANCES UNLESS OTHERWISE SPECIFIED DIMENSIONS ARE IN MILLIMETERS	
APPROVALS	DATE
DRAWN BY K. SEARL	08-16-07
PROJ. ENG. T. PETROPOULOS	10-22-07
APPL. MECH. S. JOHNSON	11-22-07
MFG. A. YERGEAU	10-23-07
SIZE	DWG. NO
A3	S4908WBFNFMO
SCALE: 1:2.5	PREVIOUS#
REV	AB
SHEET 1 OF 1	

THIS DRAWING IS UNPUBLISHED.
 © Copyright 2022 TE Connectivity Ltd.
 RELEASED FOR PUBLICATION
 ALL RIGHTS RESERVED.

6 5 4 3 2 1