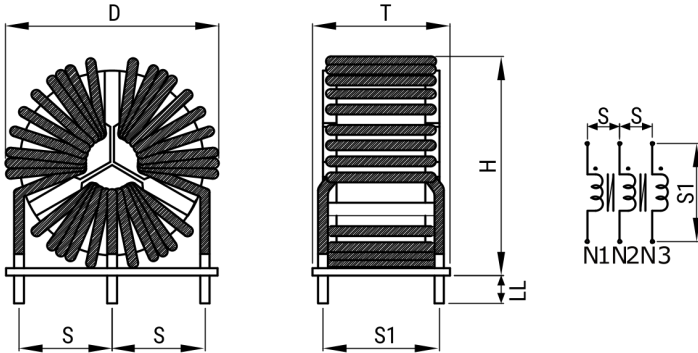


## SC-20-SE10J

Aliases (UALSC20SE10J00)

KEMET, SC Three Phase, AC Line Filters, Common Mode, 0.94 mH



Click [here](#) for the 3D model.

### Dimensions

|           |            |
|-----------|------------|
| D         | 49mm MAX   |
| T         | 30mm MAX   |
| H         | 51mm MAX   |
| LL        | 5mm +/-1mm |
| S         | 20mm NOM   |
| S1        | 25mm NOM   |
| Wire Size | 1.8mm      |

### Packaging Specifications

|                    |       |
|--------------------|-------|
| Packaging          | Tray  |
| Packaging Quantity | 60    |
| Component Weight   | 113 g |

### General Information

|               |   |
|---------------|---|
| Series        | SC Three Phase                              |
| Style         | Through-Hole                                |
| Features      | High Impedance                              |
| RoHS          | Yes   |
| Notes         | Lead Spacing (S/S1) Are For Reference Only. |
| Miscellaneous | Temperature Rise Maximum: 90 K.             |
| Core          | Mn-Zn Ferrite                               |

### Specifications

|                   |                  |
|-------------------|------------------|
| Voltage AC        | 250 VAC          |
| Voltage DC        | 250 VDC          |
| Inductance        | 0.94 mH (10 kHz) |
| Current           | 20 A             |
| Temperature Range | -25/+120°C       |
| DC Resistance     | 7 mOhms          |