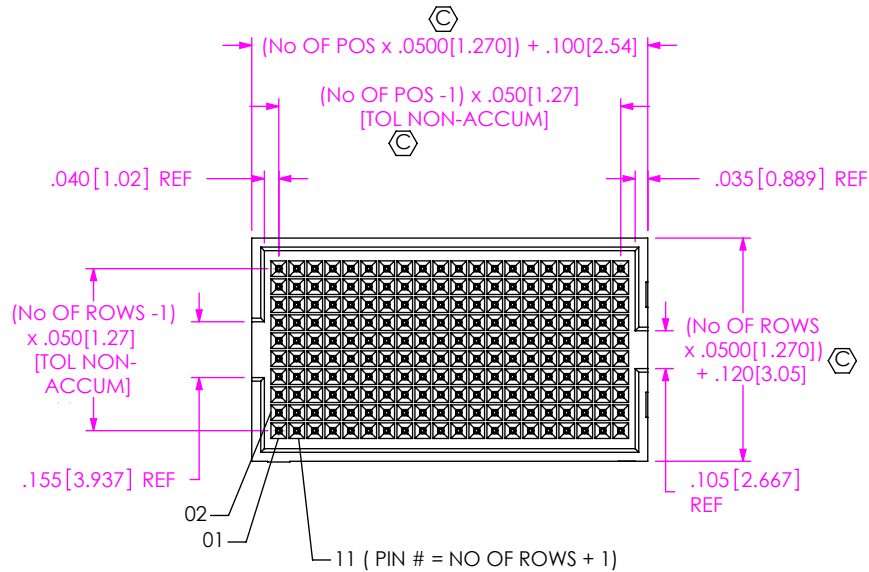


DO NOT SCALE FROM THIS PRINT

YFW-XX-XX-X-XX-XSB-X-XX



**No OF POSITIONS**  
-20 THRU -50  
(MULTIPLES OF 10 ONLY)

**MATED STACK HEIGHT w/ YES**  
-07: 7mm  
-09: 9mm  
-12: 12mm  
-19: 19mm (SEE FIG. 2)  
-25: 25mm (SEE FIG. 2)

**PLATING SPECIFICATION**  
-H: HEAVY GOLD  
(USE T-1R2X-XXB-H-1)  
-E: EXTRA GOLD  
(USE T-1R2X-XXB-E-1)

**ROW SPECIFICATION**  
-05: FIVE ROWS  
-08: EIGHT ROWS  
(AVAILABLE ON -07, -09 & -12  
MATED STACKS ONLY)  
-10: TEN ROWS

**OPTION**  
\*\* BLANK: TUBES (SEE NOTE 10)  
-TR: TAPE & REEL (SEE NOTE 13 & 14)  
[STACK HEIGHT -07 & -09: ALL POSITIONS  
-12: POSITIONS UP TO 40x10  
-19 & -25: NOT AVAILABLE]  
-FR: FULL REEL QTY TAPE & REEL (SEE NOTES 13 & 14)  
[STACK HEIGHT -07 & -09: ALL POSITIONS  
-12: POSITIONS UP TO 40x10  
-19 & -25: NOT AVAILABLE]

**OPTION**  
\*\* -K: KAPTON PAD (SEE FIG 3)  
(AVAILABLE ON -07, -09 & -12  
MATED STACKS ONLY)  
-P: PICK AND PLACE PAD (SEE FIG 4)

**SOLDER BALLS**  
-SB: SOLDER BALLS (USE SDB-030-6337)  
\* -MSB: MODIFIED SOLDER BALLS- Pb FREE (USE SDB-030-9653)

**\*\* DO NOT DESIGN IN FOR 10-ROW VERSION. ONLY EXISTING CUSTOMERS, AS OF 2/10/06, WILL BE SUPPORTED. -P OPTION SHOULD BE USED FOR 10-ROW VERSION.**

**\* = NOT RELEASE FOR PRODUCTION.**

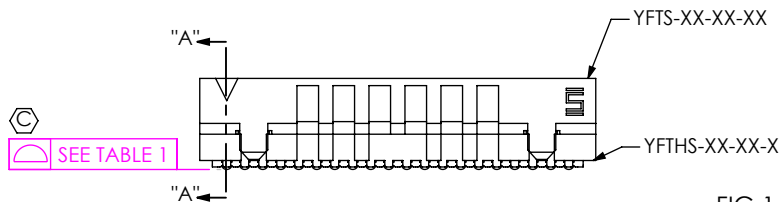
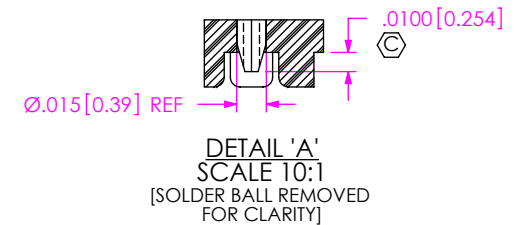
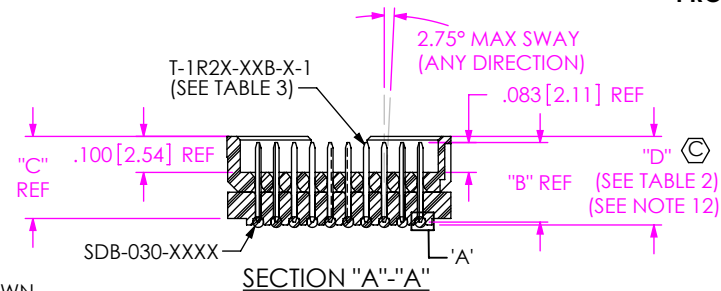
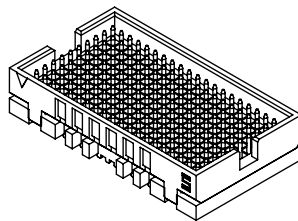


FIG 1  
YFW-20-07-X-10-SB SHOWN  
[STACK HEIGHT -09 & -12 SIMILAR]



NOTES:

1. Ⓢ REPRESENTS A CRITICAL DIMENSION.
2. MAXIMUM BURR ALLOWANCE: .0015[0.038]
3. MINIMUM PUSHOUT FORCE; PRE-PROCESS: 8 OZ, POST-PROCESS: 5 OZ
4. MAXIMUM ALLOWABLE BOW; TOP/BOTTOM: .006[0.15], SIDE/SIDE: .003[0.08]
5. ALL DIMS TO BE SYMMETRICAL ABOUT CENTERLINE WITHIN ±.002[0.05]
6. BODY RETENTION BETWEEN WELDED BODIES TO BE 4 LBS MINIMUM TOTAL.
7. MAXIMUM WELD FLASH: .020[0.51]
8. -H PLATING MAY BE SUBSTITUTED FOR -G PLATING.
9. NOTE DELETED.
10. TRAY PACKAGING CAN BE SUBSTITUTED FOR TUBES.
11. MAXIMUM VARIATION BETWEEN SOLDERBALLS: .0040[0.102]
12. CHECK DIMENSION ON ALL 4 CORNERS.
13. ORDERS WILL BE PACKAGED ACCORDING TO THE SAMTEC PACKAGING EFFICIENCY STANDARDS (SPES) FOUND ON WWW.SAMTEC.COM.
14. ATTACH LABEL TO EACH REEL.

C4-B-MV


<p>UNLESS OTHERWISE SPECIFIED, DIMENSIONS ARE IN INCHES.</p> <p>TOLERANCES ARE:</p> <p>DECIMALS      ANGLES</p> <p>.XX: ±.01[0.3]      2°</p> <p>.XXX: ±.005[0.13]</p> <p>.XXXX: ±.0020[0.051]</p>	<p><b>PROPRIETARY NOTE</b></p> <p>THIS DOCUMENT CONTAINS CONFIDENTIAL AND PROPRIETARY INFORMATION AND ALL DESIGN, MANUFACTURING, REPRODUCTION, USE, PATENT RIGHTS AND SALES RIGHTS ARE EXPRESSLY RESERVED BY SAMTEC, INC. THIS DOCUMENT SHALL NOT BE DISCLOSED, IN WHOLE OR PART, TO ANY UNAUTHORIZED PERSON OR ENTITY NOR REPRODUCED, TRANSFERRED OR INCORPORATED IN ANY OTHER PROJECT IN ANY MANNER WITHOUT THE EXPRESS WRITTEN CONSENT OF SAMTEC, INC.</p>	 <p>520 PARK EAST BLVD, NEW ALBANY, IN 47150 PHONE: 812-944-6733      FAX: 812-948-5047 e-Mail: info@SAMTEC.com      code: 55322</p>
<p><b>MATERIAL:</b> DO NOT SCALE DRAWING      SHEET SCALE: 1.875:1</p> <p>INSULATOR: LCP, COLOR: BLACK</p> <p>TERMINAL: BRASS</p> <p>SOLDER BALL: 63% TIN/ 37% LEAD</p>	<p>DESCRIPTION: Flex, Y, Z, .050 CENTERLINE TERMINAL ASSEMBLY</p> <p>DWG. NO. <b>YFW-XX-XX-X-XX-XSB-X-XX</b></p>	<p>BY: DEAN P      5/11/2001      SHEET 1 OF 5</p>

TABLE 1		
No OF POS	ROW SPEC	COPLANARITY
-20	-05	.004[.10]
-30	-05	.006[.15]
-20 & -30	-08, -10	.006[.15]
-40	-05, -08, -10	.008[.20]
-50	-05	.008[.20]
-50	-08, -10	.010[.25]

TABLE 2					MATED HEIGHT w / YFS
STACK HEIGHT	"A" REF	"B" REF	"C"	"D"	
-07	.258[6.55]	.221[5.61]	.228[5.79]	.246[6.25]	.276[7.00]
-09	.335[8.51]	.299[7.59]	.306[7.77]	.324[8.23]	.354[9.00]
-12	.453[11.51]	.417[10.59]	.424[10.77]	.442[11.23]	.472[12.00]
-19	.728[18.49]	.692[17.58]	.699[17.75]	.717 <sup>+0.05</sup> <sub>-.008</sub> [18.21 <sup>+13</sup> <sub>-.20</sub> ]	.748[19.00]
-25	.964[24.49]	.928[23.57]	.935[23.75]	.953 <sup>+0.05</sup> <sub>-.008</sub> [24.21 <sup>+13</sup> <sub>-.20</sub> ]	.984[25.00]

TABLE 3				
STACK HEIGHT	TERMINAL	USE YFTS	USE YFTM	USE YFTHS
-07	T-1R24-07B-X-1	YFTS-XX-01-XX	N/A	YFTHS-XX-XX-X
-09	T-1R24-09B-X-1	YFTS-XX-02-XX	N/A	YFTHS-XX-XX-X
-12	T-1R27-12B-X-1	YFTS-XX-03-XX	N/A	YFTHS-XX-XX-X
-19	T-1R27-19B-X-1	YFTS-XX-01-XX	YFTM-XX-19-XX	YFTHS-XX-XX-X
-25	T-1R27-25B-X-1	YFTS-XX-01-XX	YFTM-XX-25-XX	YFTHS-XX-XX-X

TABLE 4			
ROW	USE YFTS	USE YFTM	USE YFTHS
-05	YFTS-XX-XX-05	YFTM-XX-XX-05	YFTHS-XX-05-X
-08	YFTS-XX-XX-08	-----	YFTHS-XX-08-X
-10	YFTS-XX-XX-10	YFTM-XX-XX-10	YFTHS-XX-10-X

**PROPRIETARY NOTE**  
 THIS DOCUMENT CONTAINS CONFIDENTIAL AND PROPRIETARY INFORMATION AND ALL DESIGN, MANUFACTURING, REPRODUCTION, USE, PATENT RIGHTS AND SALES RIGHTS ARE EXPRESSLY RESERVED BY SAMTEC, INC. THIS DOCUMENT SHALL NOT BE DISCLOSED, IN WHOLE OR PART, TO ANY UNAUTHORIZED PERSON OR ENTITY NOR REPRODUCED, TRANSFERRED OR INCORPORATED IN ANY OTHER PROJECT IN ANY MANNER WITHOUT THE EXPRESS WRITTEN CONSENT OF SAMTEC, INC.

DO NOT SCALE DRAWING

SHEET SCALE: 1.875:1

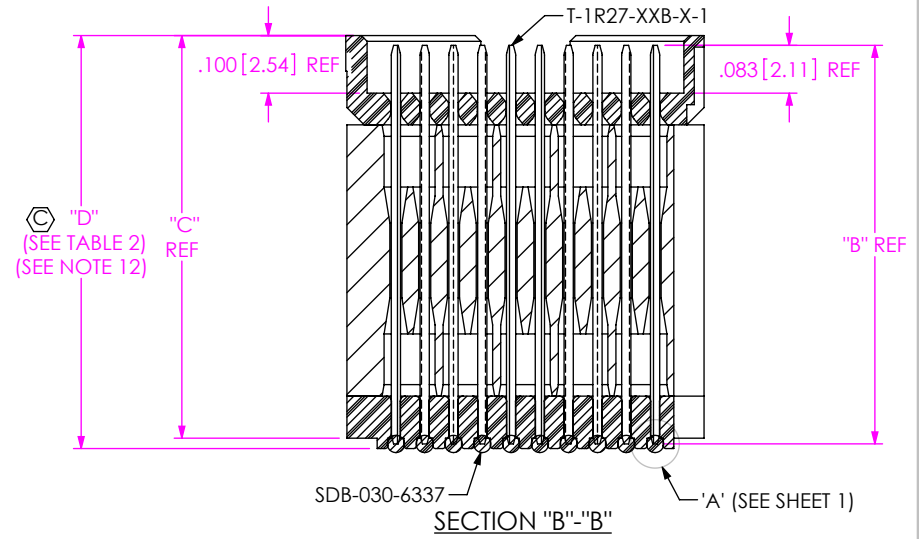
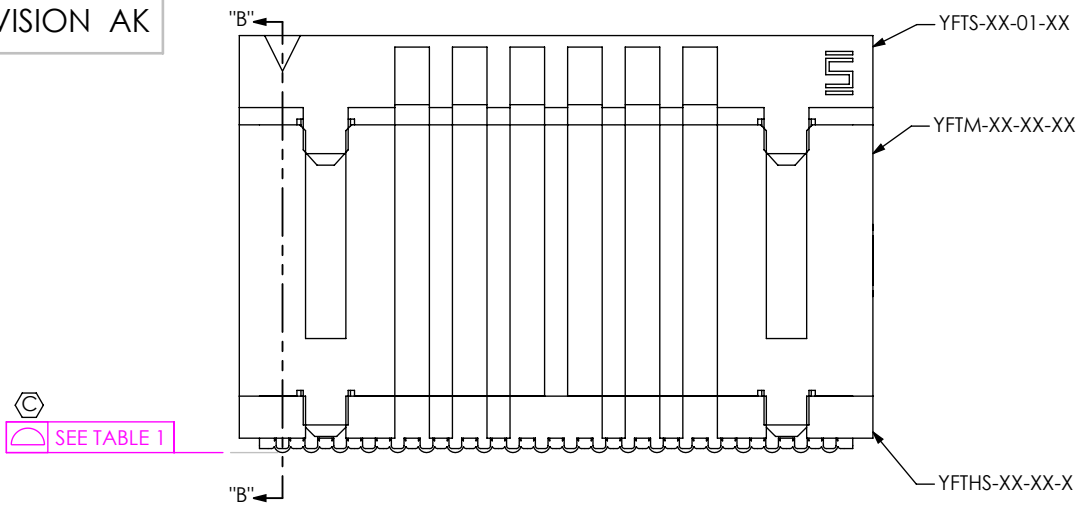


520 PARK EAST BLVD, NEW ALBANY, IN 47150  
 PHONE: 812-944-6733 FAX: 812-948-5047  
 e-Mail: info@SAMTEC.com code: 55322

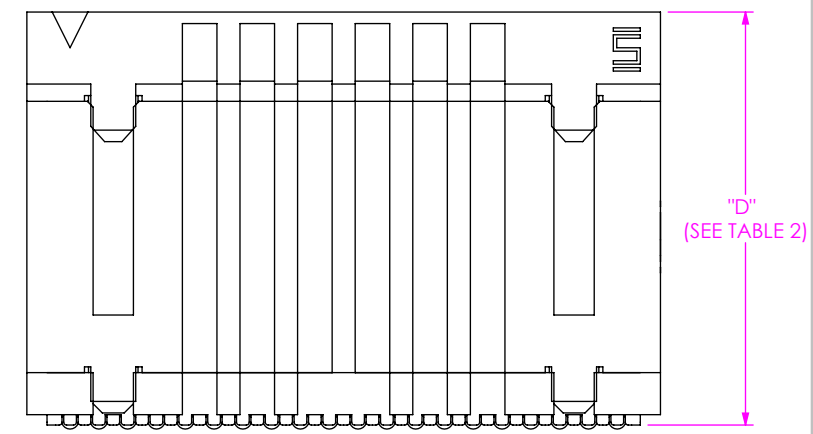
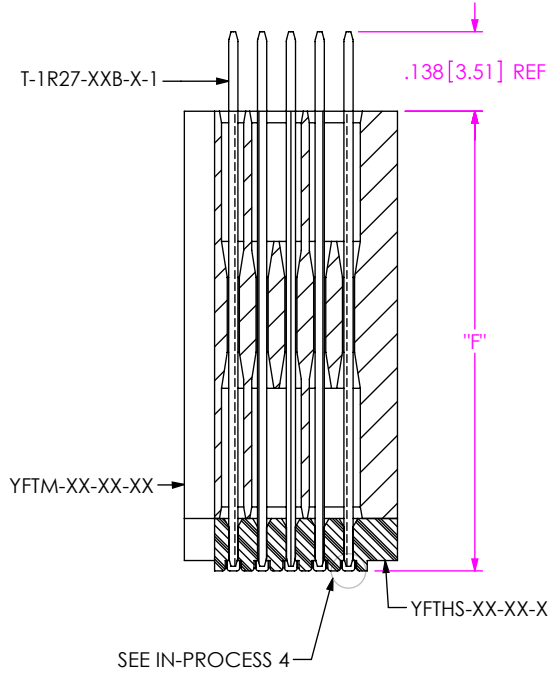
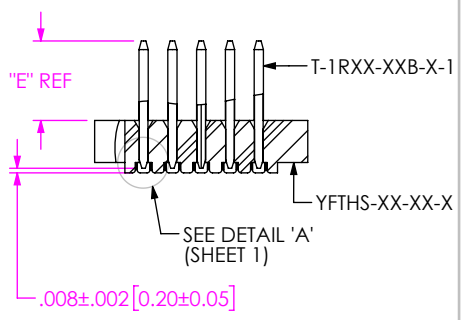
DESCRIPTION:  
 FleX, Y, Z, .050 CENTERLINE TERMINAL ASSEMBLY

DWG. NO.  
**YFW-XX-XX-X-XX-XSB-X-XX**

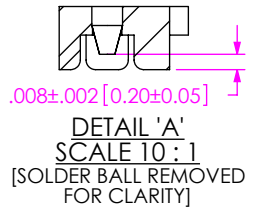
BY: DEAN P 5/11/2001 SHEET 2 OF 5



**FIG 2**  
 YFW-20-19-X-10-SB SHOWN  
 [STACK HEIGHT -25 SIMILAR]  
 (DIFFERENT AS SHOWN, OTHERWISE SAME AS FIG 1)



**IN-PROCESS 3**  
 STACK HEIGHT -19 & -25



**IN-PROCESS 4**  
 RE-PRESS  
 STACK HEIGHT -19 & -25

**IN-PROCESS 1 & 2**  
 STACK HEIGHT -19 & -25

**PROPRIETARY NOTE**  
 THIS DOCUMENT CONTAINS CONFIDENTIAL AND PROPRIETARY INFORMATION AND ALL DESIGN, MANUFACTURING, REPRODUCTION, USE, PATENT RIGHTS AND SALES RIGHTS ARE EXPRESSLY RESERVED BY SAMTEC, INC. THIS DOCUMENT SHALL NOT BE DISCLOSED, IN WHOLE OR PART, TO ANY UNAUTHORIZED PERSON OR ENTITY NOR REPRODUCED, TRANSFERRED OR INCORPORATED IN ANY OTHER PROJECT IN ANY MANNER WITHOUT THE EXPRESS WRITTEN CONSENT OF SAMTEC, INC.

DO NOT SCALE DRAWING  
 SHEET SCALE: 1.875:1



520 PARK EAST BLVD, NEW ALBANY, IN 47150  
 PHONE: 812-944-6733 FAX: 812-948-5047  
 e-Mail: info@SAMTEC.com code: 55322

DESCRIPTION:  
 FleX, Y, Z, .050 CENTERLINE TERMINAL ASSEMBLY

DWG. NO.  
**YFW-XX-XX-X-XX-XSB-X-XX**

BY: DEAN P 5/11/2001 SHEET 3 OF 5

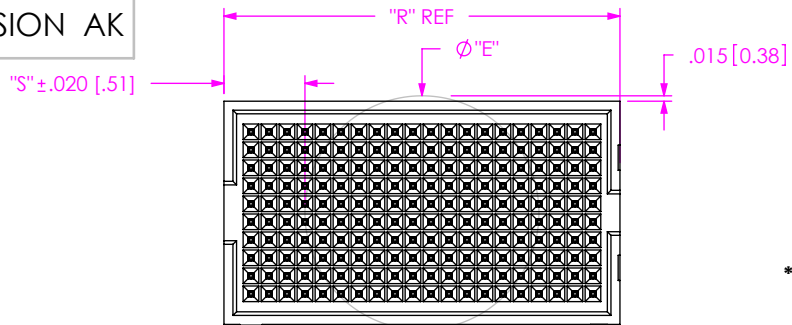
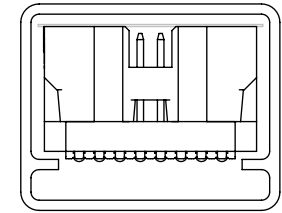


FIG 3  
-K: PAD OPTION  
YFW-20-XX-X-10-SB-K SHOWN  
[PAD = .005 THICK]

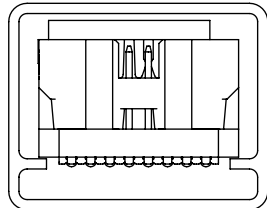
ROW OPTION	"E"	KAPTON TAPE
-05	.404 [10.25]	K-DOT-.404-.500-.005
-08	.550 [13.97]	K-850-650
-10**	.650 [16.50]	K-1000-800

\*\* DO NOT DESIGN IN FOR 10-ROW VERSION. ONLY EXISTING CUSTOMERS, AS OF 2/10/06, WILL BE SUPPORTED. -P OPTION SHOULD BE USED FOR 10-ROW VERSION.

"R" = (No OF POSITIONS x .0500[1.270]) + .100[2.54]  
"S" = ("R" - "E" / 2)



-08 ROW  
YFW-XX-09-X-08-SB-K SHOWN



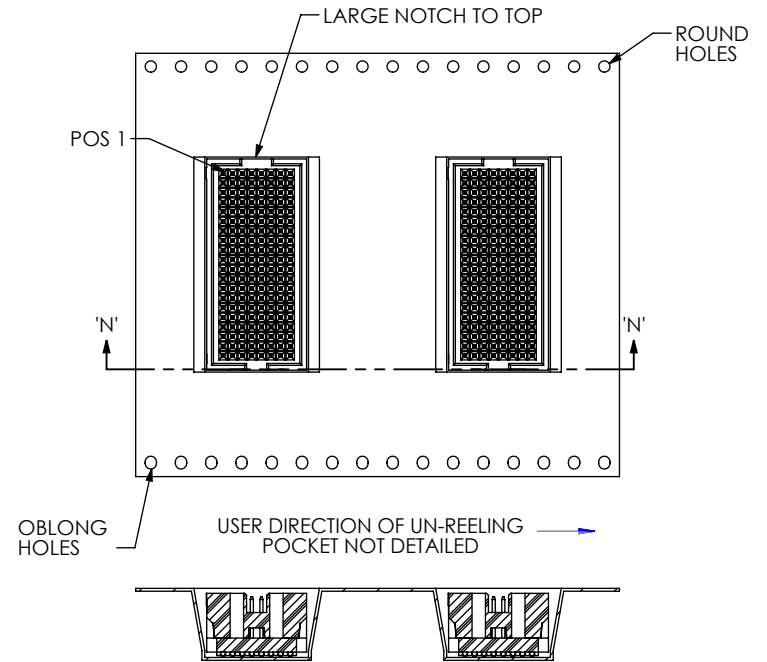
-08 ROW  
YFW-XX-09-X-08-SB-P SHOWN

PACKAGING TUBE

(SEE NOTE 10)

(PARTS TO HAVE POSITION #1 LOADED IN SAME DIRECTION AS ARROW ON TUBE)

ROW	STACK HEIGHT	TUBE W/ NONE, -K	TUBE W/ -P	PLUG
-05	-07	PT-1-24-07F-109	PT-YFW-07F-P	TP-29
-05	-09	PT-1-24-09F-109	PT-YFW-09F-P	TP-29
-05	-12	PT-YFW-12F-P	PT-YFW-12F-P	TP-13
-05	-19	PT-1-24-19F-109	PT-1-24-01-131	TP-13
-05	-25	PT-1-24-25F-109	PT-YFW-25F-P	TP-29
-08	-07	PT-YFW-07E-P	PT-YFW-07E-P	TP-13
-08	-09	PT-1-24-09E-109	PT-YFW-09E-P	TP-29
-08	-12	PT-1-24-12E-109	PT-YFW-12E-P	TP-29
-10	-07	PT-1-24-07T-109	PT-1-24-07T-109	TP-13
-10	-09	PT-1-24-09T-109	PT-YFW-09T-P	TP-13
-10	-12	PT-1-24-12T-109	PT-YFW-12T-P	TP-28
-10	-19	PT-1-24-19T-109	PT-YFW-19T-P	TP-26
-10	-25	PT-1-24-25T-109	PT-YFW-25T-P	TP-28



SECTION 'N'-'N'  
SCALE 1 : 1

TAPE AND REEL VIEW

F:\DWG\MISC\MKTG\YFW-XX-XX-X-XX-XSB-X-XX-MKT.SLDDRW

**PROPRIETARY NOTE**  
THIS DOCUMENT CONTAINS CONFIDENTIAL AND PROPRIETARY INFORMATION AND ALL DESIGN, MANUFACTURING, REPRODUCTION, USE, PATENT RIGHTS AND SALES RIGHTS ARE EXPRESSLY RESERVED BY SAMTEC, INC. THIS DOCUMENT SHALL NOT BE DISCLOSED, IN WHOLE OR PART, TO ANY UNAUTHORIZED PERSON OR ENTITY NOR REPRODUCED, TRANSFERRED OR INCORPORATED IN ANY OTHER PROJECT IN ANY MANNER WITHOUT THE EXPRESS WRITTEN CONSENT OF SAMTEC, INC.

DO NOT SCALE DRAWING

SHEET SCALE: 1.875:1



520 PARK EAST BLVD, NEW ALBANY, IN 47150  
PHONE: 812-944-6733 FAX: 812-948-5047  
e-Mail: info@SAMTEC.com code: 55322

DESCRIPTION:  
Flex, Y, Z, .050 CENTERLINE TERMINAL ASSEMBLY

DWG. NO.  
**YFW-XX-XX-X-XX-XSB-X-XX**

BY: DEAN P 5/11/2001 SHEET 4 OF 5

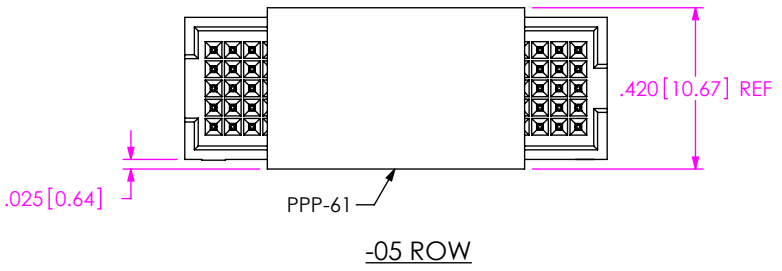
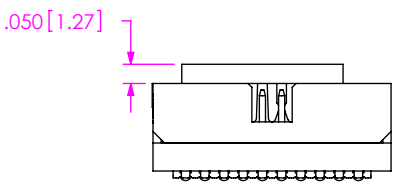
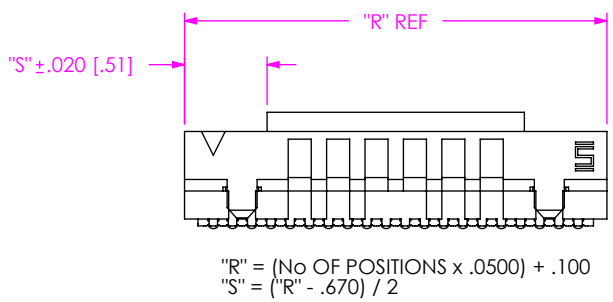
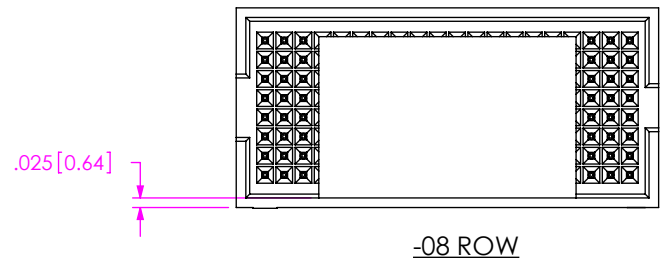
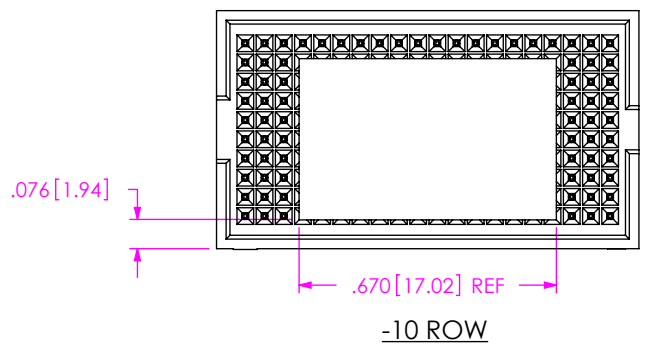


FIG 4

-P: PICK AND PLACE OPTION

**PROPRIETARY NOTE**  
 THIS DOCUMENT CONTAINS CONFIDENTIAL AND PROPRIETARY INFORMATION AND ALL DESIGN, MANUFACTURING, REPRODUCTION, USE, PATENT RIGHTS AND SALES RIGHTS ARE EXPRESSLY RESERVED BY SAMTEC, INC. THIS DOCUMENT SHALL NOT BE DISCLOSED, IN WHOLE OR PART, TO ANY UNAUTHORIZED PERSON OR ENTITY NOR REPRODUCED, TRANSFERRED OR INCORPORATED IN ANY OTHER PROJECT IN ANY MANNER WITHOUT THE EXPRESS WRITTEN CONSENT OF SAMTEC, INC.

DO NOT SCALE DRAWING

SHEET SCALE: 2:1



520 PARK EAST BLVD, NEW ALBANY, IN 47150  
 PHONE: 812-944-6733 FAX: 812-948-5047  
 e-Mail: info@SAMTEC.com code: 55322

DESCRIPTION:  
 FleX, Y, Z, .050 CENTERLINE TERMINAL ASSEMBLY

DWG. NO.  
**YFW-XX-XX-X-XX-XSB-X-XX**

BY: DEAN P 5/11/2001 SHEET 5 OF 5